



Aquatec® Ocean E-VIP

- en **Shower and Toilet Commode**
User Manual
- de **Dusch- und Toilettenrollstuhl**
Gebrauchsanweisung
- fr **Fauteuil/chaise pour douche/toilettes**
Mode d'emploi
- it **Carrozzina da doccia e WC**
Istruzioni per l'uso
- es **Silla de ducha y WC**
Manual de instrucciones
- nl **Douche- en toiletrolstoel**
Gebruiksaanwijzing



This manual must be given to the user of the product.
Before using the product, read this manual and save it
for future reference!

AQUATEC®



Yes, you can.®

© Aquatec Operations GmbH

Every effort has been made to ensure that the contents of this publication are fully up-to-date at the time of going to print.

As part of its ongoing improvement of products, Aquatec Operations GmbH reserves the right to modify existing models at any time. Aquatec dealers will be notified of any such modifications. Any use of this publication, or of parts thereof, as well as any reproduction of images, must have the written consent of Aquatec Operations GmbH.

| | | | | | |
|----------|---|----------|-----------|---|-----------|
| I | General | 4 | 5 | Operation | 14 |
| 1.1 | General information | 4 | 5.1 | Safety information | 14 |
| 1.2 | Symbols in this user manual | 4 | 5.2 | Turning the armrests | 14 |
| 1.3 | Warranty | 4 | 5.3 | Turning the footrests | 15 |
| 1.4 | Standards and regulations | 4 | 5.4 | Control | 15 |
| 1.5 | Intended use | 4 | 5.5 | Engaging the directional locking device | 16 |
| 1.6 | Product service life | 5 | 6 | Transport | 16 |
| 2 | Safety | 5 | 6.1 | Safety information | 16 |
| 2.1 | Safety information | 5 | 7 | Maintenance | 16 |
| 2.2 | Safety information on electromagnetic compatibility | 5 | 7.1 | Maintenance and servicing | 16 |
| 3 | Description | 5 | 7.2 | Cleaning and disinfection | 17 |
| 3.1 | Components | 5 | 7.3 | Maintaining the performance of the battery pack | 18 |
| 3.2 | Identification label | 6 | 7.4 | Changing the wheels | 18 |
| 4 | Assembly and installation | 6 | 7.5 | Changing the drives | 18 |
| 4.1 | Safety information | 6 | 8 | After use | 18 |
| 4.2 | Assembling the seat frame | 6 | 8.1 | Storage | 18 |
| 4.3 | Fitting the headrest | 7 | 8.2 | Re-use | 18 |
| 4.4 | Fitting the chest belt | 8 | 8.3 | Disposal | 18 |
| 4.5 | Fitting the seat plate | 9 | 9 | Troubleshooting | 19 |
| 4.6 | Adjusting the backrest cover | 9 | 9.1 | Identifying and repairing faults | 19 |
| 4.7 | Setting the armrest height | 10 | 10 | Technical data | 20 |
| 4.8 | Fitting the footrests | 11 | 10.1 | Dimensions and weight | 21 |
| 4.9 | Fitting the electronics cover | 11 | 10.2 | Electronic data | 21 |
| 4.10 | Removing the battery pack | 12 | 10.3 | Materials | 21 |
| 4.11 | Charging the battery | 13 | | | |

I General

I.1 General information

This user manual contains information and notes on the proper and safe use of the shower and toilet commode.

Please read this user manual carefully before using the product. Please observe all the notes, particularly the safety information, and act accordingly.

The position specifications (A, B, C, etc.) in the handling instructions always refer to the preceding figure.

I.2 Symbols in this user manual

In this user manual, warnings are marked with symbols. The title next to the warning symbol indicates the level of danger.



WARNING

Indicates a dangerous situation which could lead to death or serious injury if not avoided.



CAUTION

Indicates a dangerous situation which could lead to minor injuries if not avoided.



IMPORTANT

Indicates a dangerous situation which could lead to damage if not avoided.



Useful tips, recommendations and information to ensure efficient and smooth operation.



Complies with Directive 93/42/EEC concerning medical devices. The market launch date for this product is indicated in the EU declaration of conformity.



Manufacturer

I.3 Warranty

We provide a manufacturer's warranty for the product in accordance with our General Terms and Conditions of Business in the respective countries. Warranty claims can only be made through the provider from whom the appliance was obtained.

I.4 Standards and regulations

Quality is of the utmost importance for our company; all processes are based on the ISO 9001 and ISO 13485 standards.

This product features the CE mark, in compliance with the Medical Device Directive 93/42/EEC Class I.

The product meets the requirements of the standards, DIN EN 12182 (Assistive products for persons with disability) and DIN EN 60601-1 (Electrical safety) and DIN EN 60601-1-2 (Electromagnetic compatibility).

Invacare® is continuously working towards ensuring that the company's impact on the environment, locally and globally, is reduced to a minimum. We comply with the current environmental legislation (e.g. WEEE and RoHS directives). We only use REACH compliant materials and components.

Should you require further information, please contact the relevant Invacare® subsidiary in your country (contact addresses are provided on the back of this user manual).

I.5 Intended use

The shower and toilet commode is intended solely as an aid when showering, using the toilet or transferring patients in an indoor environment. The product should not be used for any other purpose.



WARNING Risk of injury

- Never stand on the product to get into or out of the bathtub, do not use it for climbing or descending, as a support, or for any similar purpose.
- Not suitable for outdoor use.

You can use the product as a toilet commode by placing it over a standard toilet or by combining it with a commode pan (optional).

Operating temperature: 5 - 40 °C

1.6 Product service life

If the product is used as intended and in accordance with the safety regulations, the expected product life is 5 years. The effective service life can vary, however, depending on the frequency and intensity of use.

2 Safety

2.1 Safety information



WARNING Risk of injury

- ▶ Do not use a faulty product.
- ▶ In the event of a malfunction, contact a dealer immediately.
- ▶ Do not make any unauthorized changes or alterations to the product.
- ▶ Only use accessories intended for this product.

2.2 Safety information on electromagnetic compatibility

This product was successfully tested to international standards for its electromagnetic compatibility. However, electromagnetic fields such as those generated by radio and television transmitters, radio equipment and mobile telephones, can influence the operation of products with electrical drives. The electronics used in this product can also cause weak electro-magnetic interference but this lies below the statutory limits. You should therefore observe the following instructions:



CAUTION Electromagnetic interference

Electromagnetic interference could cause the Ocean E-VIP to malfunction or interfere with other devices.

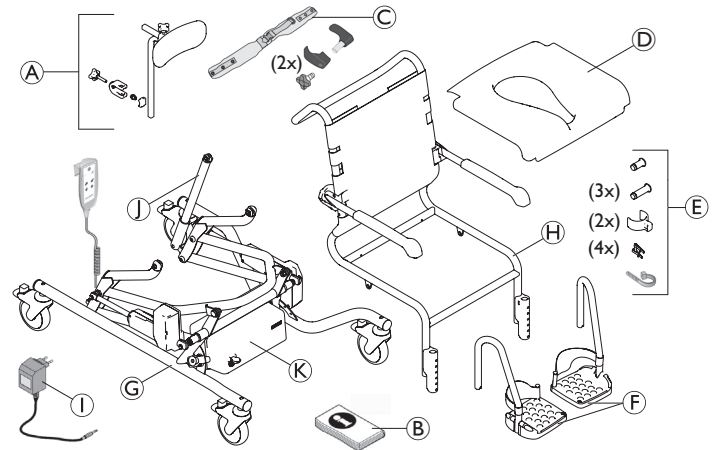
- ▶ Switch off the external device and/or the Ocean E-VIP if you notice such behavior.
- ▶ If other electrically operated medical products cause interference or are themselves disrupted, switch off the Ocean E-VIP and contact your dealer.

You will find further information about the product's electromagnetic properties in Section 10.4 Guidelines and manufacturer's declaration.

3 Description

3.1 Components

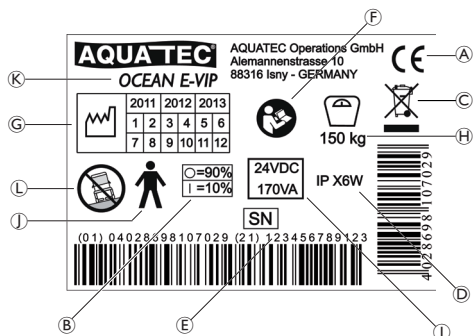
The following components are included within the scope of delivery:



| | |
|---|--|
| A | Headrest |
| B | User manual |
| C | Chest belt |
| D | Seat plate |
| E | Bolt (4 x), safety clips (4 x), clips for footrests (2 x), cable tie (1 x) packed in a bag |
| F | Footrests with heel strap (2 x) |
| G | Chassis with hand control and control box with battery pack + drives |
| H | Seat frame with backrest cover and armrests |
| I | Charger |
| J | Tilt drive |
| K | Electronics cover |

3.2 Identification label

The identification label contains important information:



| | |
|-----|---|
| (A) | Conformity mark |
| (B) | Duty cycle (max. 10%, max. 2 min/18 min) |
| (C) | Note (disposal) |
| (D) | Type of protection |
| (E) | Serial device number |
| (F) | Note (observe accompanying documents) |
| (G) | Production timeframe |
| (H) | Load capacity |
| (I) | Nominal voltage/rated power |
| (J) | Type B applied part |
| (K) | Device designation |
| (L) | Note (only suitable for use on flat surfaces) |



The identification label is applied to the rear left side tube.

4 Assembly and installation

4.1 Safety information



IMPORTANT

- ▶ Check the parts for transport damage before commissioning and contact the dealer if required.
- ▶ Ensure during assembly that the parts are positioned correctly with respect to one another.

This section explains how to assemble the product. The product is dismantled in the reverse order.

4.2 Assembling the seat frame

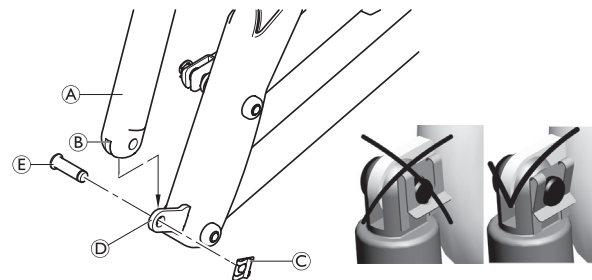


WARNING

Risk of bolts slipping out.

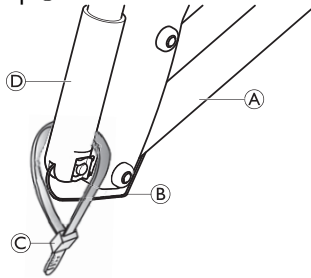
- ▶ Make sure that the safety clips engage and are correctly fitted (see diagram below).

1. Secure all the wheels with the red foot levers. To do this, press down on the red foot lever on the wheels.



2. Remove the drive for the seat tilt (A) from the chassis. To do this, cut through the cable tie.
3. Push the fork (B) at the lower end of the drive (A) onto lip (D) at the back edge of the chassis and align the holes.
4. Insert bolt (E) (35 mm) into the holes from the outside and push it in fully.

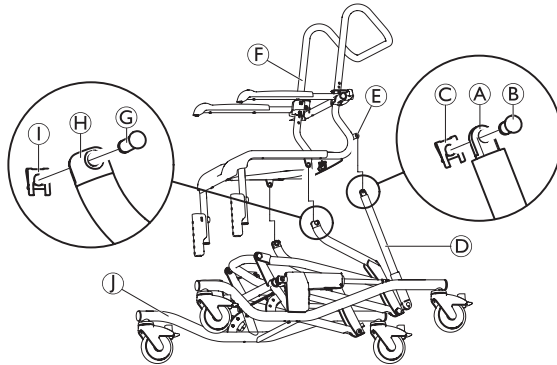
5. Attach a safety clip **C** on the inside.



6. Insert cable **B** of drive **D** as far as possible into chassis **A**.
 7. Use cable tie **C** provided to secure the cable of the drive in this position.

IMPORTANT

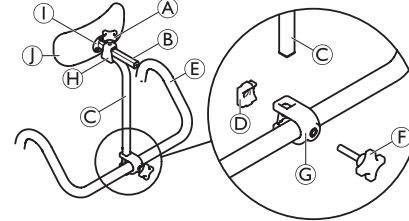
The armrests face forward when folded down.



8. Insert both sides of seat frame **F** into receivers **H** on chassis **J**.
 9. Insert the two 35 mm bolts **G** into receivers **H** from the outside, push in fully and attach safety clips **I** on the inside.
 10. Tilt the seat frame until the holes in bracket **E** on the seat frame and in fork **A** on seat tilt drive **D** are aligned.

11. Insert the 23 mm bolt **B** into the holes from the outside and attach safety clip **C** on the inside.

4.3 Fitting the headrest



IMPORTANT

Retaining bar **C** can be fitted with the curve to the front or back, depending on the user's requirements.

The headrest cushion **J** can be removed and replaced with other cushion shapes (optional).

► To remove the cushion, undo mounting screws **I**.

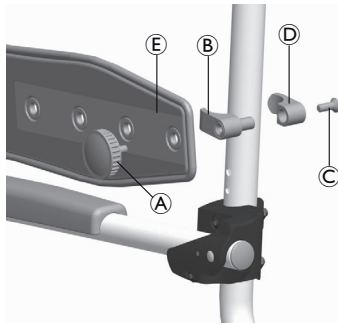
1. Twist the screw with hand knob **F** a little way into brace **G**.
2. Attach the brace with the screw to the handle of backrest **E** from the back in such a way that the screw enters the hole in the handle of the backrest.
3. Insert plate **D** into the brace from the front in such a way that the two lips of the plate face upwards and downwards and the curved side of the plate meets the handle of the backrest.

IMPORTANT

When inserting the support, the curve of the plate must be fully flush with the backrest handle.

4. Insert retaining bar **C** into the recesses of the brace from above.
5. Tighten the screw with hand knob **F** until the retaining bar is secure.
6. Insert cushion **J** together with cushion support **B** into bracket **H** on the retaining bar.
7. Tighten the upper screw with hand knob **A** until the cushion support is secure.

4.4 Fitting the chest belt



! IMPORTANT

- ▶ Install both mounting brackets at the same height.
- ▶ Installation of the left and right mounting brackets is laterally inverted.

1. Open the belt buckle on the backrest cover at the height where the chest belt is to be fitted.
2. Pass this belt on the inside of the backrest frame and close it again.
3. Place inner section ④ of the mounting bracket (without bolt with internal thread) around the backrest frame so that the hole faces backwards.
4. Place the outer section ② of the mounting bracket with the bolt with internal thread into the hole of the inner section.
5. Attach the two parts of the mounting bracket in the required position with screw ③ on the backrest frame.
6. Attach chest belt ⑤ with the screw with hand knob ① to the mounting brackets.

Adjusting the chest belt position

! IMPORTANT

- ▶ Adjust the position of the chest belt to suit the user.
- ▶ Adjust the position of the two mounting brackets equally on both sides.
- ▶ The position of the right and left mounting brackets is adjusted in the same way.

1. Open the belt buckle on the backrest cover which is passed on the inside of the backrest frame at the height where the chest belt is secured.
2. Open the belt buckle on the backrest cover at the height where the chest belt is to be fitted.
3. Pass this belt on the inside of the backrest frame and close it again.
4. Undo the screw with hand knob ①.
5. Remove chest belt ⑤.
6. Remove the two parts of the mounting bracket ② and ④ and move them to the required position.
7. Place the inner part of mounting bracket ④ around the backrest frame.
8. Place the outer section of mounting bracket ② on the bolt with internal thread ③ of the inner section.
9. Use the screw with the hand knob to screw the chest belt onto the mounting bracket.
10. Pass the open belt of the backrest cover on the outside of the backrest frame and close it again.
11. Tighten all belts.

Adjusting the chest belt length

! IMPORTANT

- ▶ Adjust the length of the chest belt to suit the user.

The length of the chest belt is adjusted via the belt buckle on the chest belt. If the belt buckle adjustment range is insufficient, adjust the length at the mounting brackets as follows:

1. Undo the screw with hand knob (A).
2. Select the length of chest belt (E).
3. Use the screw with the hand knob to screw the chest belt onto the mounting bracket.

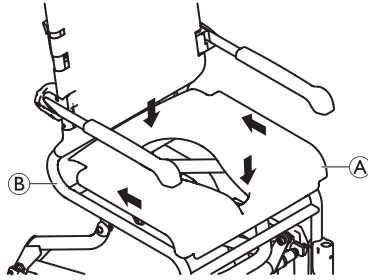
4.5 Fitting the seat plate

Attachment:



CAUTION Danger of pinching fingers

- Do not insert fingers between the seat surface and seat frame when pressing down the seat plate.

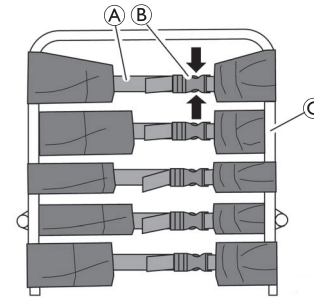


1. Place seat plate (A) on seat frame (B) with the cut out facing to the front.
2. Slide the seat plate back as far as it will go.
3. Using the flat of your hand, press down on the sides and then the front and back of the seat plate until the seat plate clicks into the seat frame.

Removal:

1. Pull up the seat plate on both sides.

4.6 Adjusting the backrest cover



IMPORTANT

- To attach accessories or the chest belt, open the second belt buckle from above and pass the backrest cover on the inside of the backrest frame (C) at this point.
- At least three belts must always go around the outside of the backrest frame and their buckles must be closed.

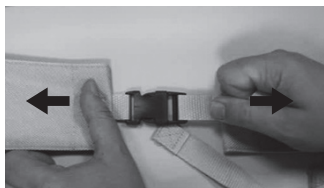
The tension of the backrest can be adjusted as desired.

Tightening

1. Tighten belts (A) on the backrest cover.

Loosening

1. Open belt buckles (B) by squeezing the retaining lugs together (arrows).
2. Push the belts back a little through the buckle.
3. Close the buckles.
4. Tighten the belts slightly.

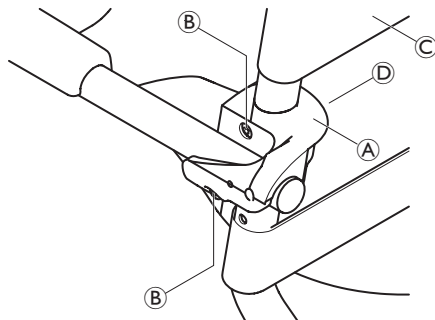


WARNING Risk of injury due to damaged backrest buckles!

Check for secure fastening of the backrest buckles each time the product is maintained or reconditioned.

- Check all buckle clips for secure fastening by closing the buckles and pulling on both ends.
- Replace the backrest/backrest buckles if a buckle opens under the applied force.

4.7 Setting the armrest height



IMPORTANT

- Adjust the height of the armrests to suit the user.
- Adjust the height of the armrests equally on both sides.
- The height of the right and left armrest is adjusted in the same way.

1. Open the belt buckle on the backrest cover which is passed on the inside of the backrest frame.
2. Open the belt buckle of belt © on the backrest cover, which is above the armrest.
3. Pass this belt on the inside of the backrest frame and close it again.



The nuts are inserted loosely into the retaining clamp and may drop out.

4. Undo screws ⑥ of armrest bracket ① using the Allen key supplied.
5. Remove retaining clamp ④ with the nuts from the inside of the backrest frame.
6. Remove armrest bracket ① together with the armrest and move it upwards.



The smaller hole is provided to secure the retaining clamp.

7. Insert the screws into the armrest bracket and guide them through the holes in the backrest frame.
8. If necessary reinsert the nuts into the retaining clamp.
9. Place the retaining clamp on the backrest frame in such a way that the fixing on the retaining clamp engages in the smaller hole.
10. Turn the screws in the nuts and tighten them.
11. Pass the open belt of the backrest cover on the outside of the backrest frame, close and tighten all the belts.



IMPORTANT

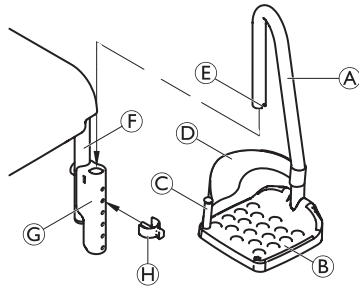
The armrests are adjusted to the lower position in the same way.

- When adjusting to the lower position, the belt beneath the armrest must be opened and passed on the inside the backrest frame.

4.8 Fitting the footrests

! IMPORTANT

- ▶ The right and left footrest are each installed in the same way.



1. Slide footrest (A) with footplate (B) inwards into the guide (C) on seat frame (F) until groove (E) engages in the pin of clip (H). The footrest should no longer turn to the sides.

Setting the footrest height

1. Pull footrest (A) up a little.
2. Pull out clip (H) and reinsert it in the desired position. You may need to pull the footrest out a little further to do this.
3. Press down the footrest until groove (E) engages in the pin of the clip.
4. Adjust the second footrest to the desired height as described.

Removing/attaching the heel straps

1. Open the Velcro® fastener on heel strap (D).
2. Remove screw (C) from the underside of the footplate.
3. Remove the screw and flexible pin with the heel strap.

The heel strap is attached in the reverse order.

! IMPORTANT

- ▶ When installing a footrest, make sure that the Velcro® fastener of the heel strap faces backwards.

Adjusting the heel strap

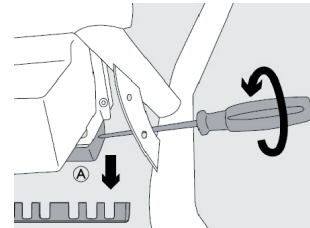
! IMPORTANT

- ▶ Make sure that the Velcro® fastener of the heel strap faces backwards.

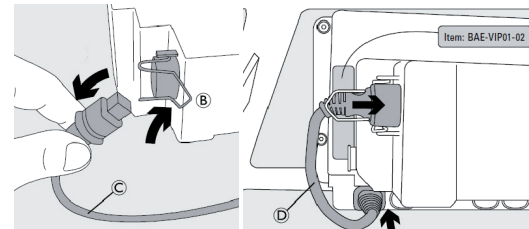
1. Open the Velcro® fastener on heel strap (D).
2. Set the heel strap to the desired length.
3. Close the Velcro® fastener again.

4.9 Fitting the electronics cover

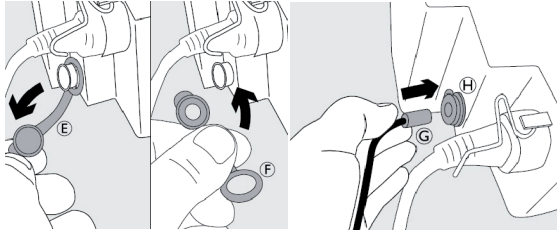
1. Turn both footrests outwards or remove them.
2. Use the hand control to move the shower and toilet commode to the highest position; see Section 5.4 Controlling, lifting.



3. Remove terminal strip (A).

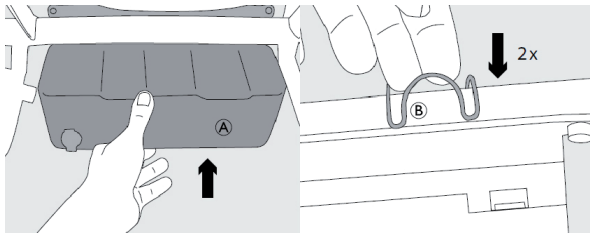


4. Fold safety bar **B** forward.
5. Remove the long connector cable **C** (180 mm) between the battery pack and electronics box.
6. Attach short connector cable **D** (110 mm).
7. Fold the safety bar back again.
8. Reattach the terminal strip.

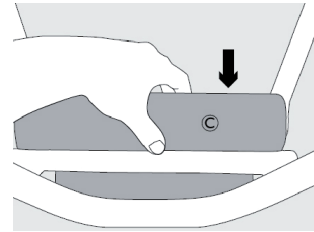


9. Swap blue plug **E** of the charging socket with the plug with the hole **F**.
10. Insert connector **G** on the electronics cover into charger socket **H** of the battery pack.

! **IMPORTANT**
 ▶ Make sure that the connector is positioned correctly.



11. Attach the front section **A** to the electronic cover and secure it on the tube with safety clips **B**.



12. Attach the rear part of the electronics cover **C** from above.

Removal:

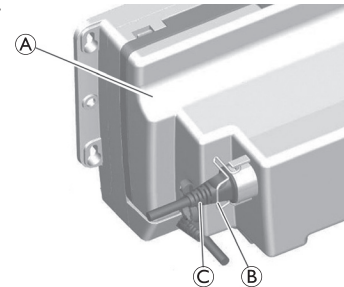
The electronics cover is removed in the reverse order to installation.

4.10 Removing the battery pack

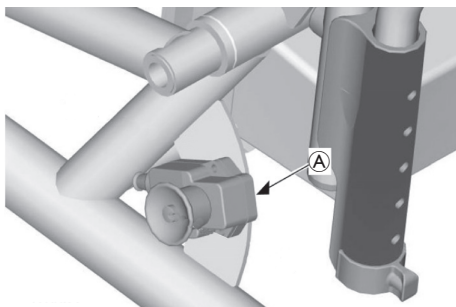
1. Remove the electronics cover, see 4.9 Fitting the electronics cover, Removal.

! **IMPORTANT**
 ▶ Make sure that the connector between the electronics cover and the battery pack is disconnected.

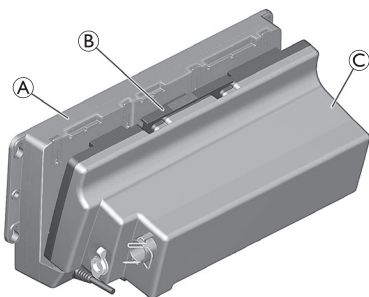
2. Draw the footrests upwards out of the guides and place them to one side.



3. Fold safety bar **B** forward and remove connector **C** from battery pack **A**.



4. Insert the connector cable in cable holder (A).



5. Use one hand to push back unlocking tab (B) on the top of battery pack (C).
6. With your other hand, lift the battery pack approx. 5 mm and draw it out approx. 10 mm.
7. Remove the battery pack from control box (A) with twist and tilt movement.

4.11 Charging the battery

The product cannot be used while the battery is charging.

The battery can be charged with the electronics cover attached or detached and when the battery pack is removed.



WARNING

- Never throw the battery pack into the fire or store it near naked flames.
- Never open the battery pack. Opening the battery pack will void the warranty.
- Only connect the charger to the mains when the battery pack is connected to the charger.



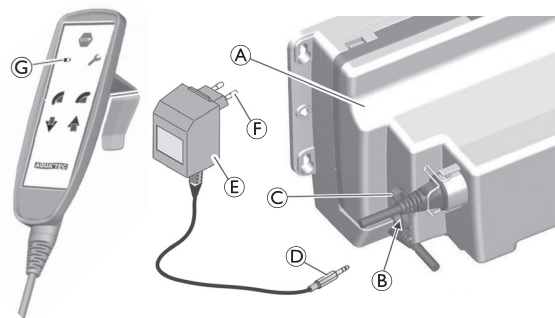
CAUTION Risk of electric shock!

- Only recharge the battery in dry rooms and never in the bathroom.
- With the electronics cover removed after charging, close off the socket on the battery pack with the dust cap.



IMPORTANT

- Only use the charger supplied (*Aquatec*® Ocean E-VIP) to charge the battery in the battery pack.
- Make sure that the voltage specifications shown on the charger correspond to those of the mains supply.
- Follow the instructions in Section 7.3 on how to maintain the service life of the battery when not in use for a lengthy period.



1. Detach cap ③ from socket ② on battery pack ①.

! IMPORTANT

When the electronics cover is fitted, the charging socket is to the front (not to the side).

2. Fully insert connector ④ of charger ⑤ into socket ② on the battery pack.

3. Insert mains plug ⑥ of the charger into an approved power socket.

Charging takes approx. 5 hours. Yellow indicator lamp ③ on the hand control lights up during this time. A trickle charge (pulsed charging) is applied for approx. 3 hours after this time. Green indicator lamp on the hand control lights up during this time. The charger controller terminates the charging process after about 8 hours. The indicator lamp on the hand control goes out. This prevents the battery from being „overcharged“.

4. Disconnect the charger from the power socket.
5. Disconnect the charger connector from the socket on the battery pack.
6. Close off the socket with the dust cap.

5 Operation

5.1 Safety information



WARNING

- ▶ Only use the shower and toilet commode on a flat surface and indoors.
- ▶ Observe the specifications on the identification label. Do not place excessive weight on the shower and toilet commode.
- ▶ Always perform a visual inspection of the product for external damage before each use.
- ▶ Do not use a faulty product.
- ▶ Recharge the battery fully before each use.
- ▶ Always use the chest belt when transporting a person.



WARNING Risk of slipping and rolling

- ▶ Before use, make sure that the seat is securely fastened to the seat frame.
- ▶ Lock all four wheels using the red foot levers before sitting into the commode or standing up from it, as well as in the parking position.



WARNING Risk of tipping

- ▶ Swivel the footrests to the side before sitting down or standing up or fold the footplates up.
- ▶ Before sitting down or standing up, turn the front wheels so that the brake is to the front.
- ▶ Never stand on the footrests.
- ▶ Never remove the spindle drives.



IMPORTANT Risk of breaking the headrest

- ▶ Only steer or push the shower and toilet commode using the handle on the backrest, never with the headrest.

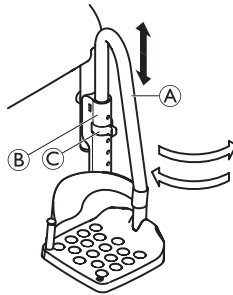
5.2 Turning the armrests



CAUTION Danger of getting fingers caught in the folding mechanism

- ▶ Do not insert fingers in the articulated joint when folding the armrests up or down.
- ▶ Make sure that no parts get caught.
- ▶ Do not insert fingers between the armrest and the backrest when folding back the armrests.

5.3 Turning the footrests



Mounting position/dismounting position:

1. Draw footrest (A) in guide (B) upwards slightly, until the groove is no longer engaged in the pin of clip (C).
2. Turn the footrest to the side.

Driving position:



CAUTION Risk of accident due to loose footrest
 ▶ Secure the footrests in the driving position.

1. Turn footrest (A) inwards.
2. Press down the footrest until the groove engages in the pin of clip (C).

5.4 Control

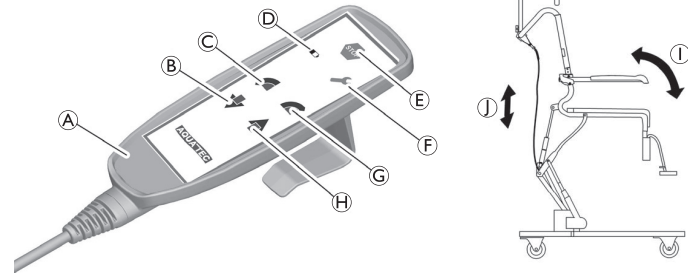
The product is controlled via the hand control.

The device will stop immediately in its current position as soon as the relevant buttons are released.

For safety reasons, the drives have certain blocked ranges:

| Seat height | Seat tilt |
|---------------|--|
| 500 to 600 mm | up to 5° forwards up to 35° backwards |

| Seat height | Seat tilt |
|-------------|--|
| over 600 mm | no forward movement up to 35° backwards |



IMPORTANT

If the battery in the battery pack is not sufficiently charged, yellow indicator lamp (D) on hand control (A) lights up and an acoustic signal is heard while moving. After the indicator lamp lights up, just five more movement cycles can be carried out. After this, the lifting function of the device is disabled. You can, however, still lower the device.
 ▶ Recharge the battery immediately after lowering the device.



CAUTION

Danger of pinching fingers
 ▶ Do not place your fingers between the seat frame and the front tubular frame of the chassis when tilting or lowering the seat.



IMPORTANT

If the seat frame is tilted forward, the seat height can be adjusted to a maximum of 600 mm.
 If the seat height is set to more than 600 mm, the seat frame can no longer be tilted forward.

Tilting the seat frame and backrest

The seat frame can be tilted backwards approx. 35° and forwards approx. 5°.

- I. Press reverse button ③ or forward button ④ on the hand control.

The seat frame can be tilted backwards or forwards ①.

Lifting

- I. Press Up button ⑨ on the hand control.

The seat frame moves upwards ①).

Lowering

- I. Press Down button ⑧ on the hand control.

The seat frame moves downwards ①).

Emergency shutdown

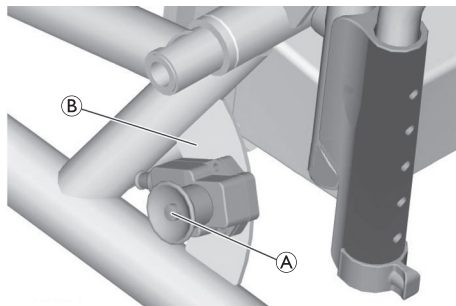


IMPORTANT

Only press the red STOP button ⑤ on the hand control if the device does not stop immediately when a button is released (e.g. if a button jams). The device will stop moving immediately.

Emergency lowering mechanism

If it is no longer possible to lower the seat frame any further using the hand control, the seat frame can be lowered using the emergency lowering mechanism.



- I. Press button ⑥ on the right side of chassis ⑦.



IMPORTANT

- If the seat frame has been lowered using the emergency lowering mechanism, have the shower and toilet commode checked by an authorized dealer.

5.5 Engaging the directional locking device



IMPORTANT

- Lock the directional locking device on the wheel with the blue foot lever. The wheel is locked and will only move in a straight line. The directional locking device only engages once the wheel is in the straight position.

6 Transport

6.1 Safety information



The product can be dismantled into the component parts listed in the scope of delivery (Section 3.1 Components) for transport purposes.

- For information on how to dismantle the product, see Section 4 "Assembly and installation".



IMPORTANT Risk of damage

- Transport the product in a dry area at a temperature of between 0 °C and 40 °C, atmospheric pressure of 795 - 1060 hPa and a humidity of 30 - 75%.
- Do not expose the product to direct sunlight.

7 Maintenance

7.1 Maintenance and servicing

If the cleaning and safety notices are observed, the product will be maintenance free.

The product requires regular safety checks.

**WARNING**

- Never carry out unauthorized repairs or other work on the spindles or electric components. If a spindle is damaged or faulty, contact the dealer immediately.
1. Check the product regularly for damage and to ensure that it is securely assembled.
 2. In the event of damage and/or necessary repairs, contact the dealer immediately.
 3. The product must be checked by an authorized dealer before every re-use or after 24 months at the latest (see Manufacturer's recommendation for rehab products of the SPECTARIS industrial association).

7.2 Cleaning and disinfection

The product can be cleaned and disinfected using commercially available agents.

**IMPORTANT**

- Hygiene is particularly important in a sensitive area like the toilet.
 - Keep the product clean and wash it regularly.
1. Disinfect the product by wiping down all generally accessible surfaces with disinfectant (after disassembling the product, if possible).

**IMPORTANT**

- All cleaning agents and disinfectants used must be effective, compatible with one another and must protect the materials they are used to clean.
 - For further information on decontamination in Healthcare Environments, please refer to 'The National Institute for Clinical Excellence' guidelines on Infection Control www.nice.org.uk/CGI39 and your local infection control policy.
 - Clean the product by hand.
 - Do not use abrasive cleaning agents.

Cleaning the seat frame and chassis**CAUTION** Risk from electric current

- Before cleaning, close off all caps and secure all connectors.

**IMPORTANT** Risk of damage

- Do not remove the accessory holders.

1. Close off all caps and secure all connectors.
2. Remove any attached accessories.
3. Pull the footrests out of the guides.
4. Remove the seat plate and backrest cover.
5. Wash down the individual parts using commercially available cleaning agents (e.g. all-purpose cleaner) and a cloth or brush.
6. Rinse the parts with warm water.
7. Dry the parts with a cloth.
8. Reassemble the shower and toilet commode.

**CAUTION** Risk of burning

- Allow the shower and toilet commode to cool down after cleaning.

Cleaning in a clinical environment**CAUTION** Risk of burning

- Allow the product to cool down after autoclaving.

1. In addition to cleaning as described above, the product should also be cleaned at regular intervals at 85 °C for 3 minutes in the autoclave.

Cleaning the backrest cover

1. Remove the backrest cover.

- Wash the cover in a washing machine at max. 60°C using a mild detergent.

! **IMPORTANT** Risk of damage

- Washing at high temperatures can cause shrinkage.
- Do not dry covers in the tumble dryer.

! **IMPORTANT**

Excessive cleaning can damage textile.

- We recommend to change the backrest cover every two years.

Cleaning the charger and battery pack



CAUTION Risk from electric current

- Always disconnect the plug from the power socket before cleaning the charger.
- Never insert objects made of conductive material (e.g. knitting needles, metal pins) into the sockets of the battery pack.
- Only ever clean the charger with a dry cloth.

- Wipe down the charger with a dry cloth.
- Wipe the battery pack with a damp cloth and dry it with a dry cloth.

7.3 Maintaining the performance of the battery pack

If the device is to be left unused for a lengthy period of time, fully charge the battery in the battery pack (approx. 5 - 6 hours charging time) and then raise and lower the unoccupied seat frame 3 times. Repeat this process at least every 6 months. This helps to maintain the service life of the battery for longer.

7.4 Changing the wheels



WARNING There is a risk of injury if the wheels are not correctly fitted.

The wheels have to be replaced by a specialist dealer.

7.5 Changing the drives



WARNING There is a risk of injury if the drives are not correctly fitted.

The drives have to be replaced by a specialist dealer.

8 After use

8.1 Storage



IMPORTANT Risk of damage

- Store the product in a dry area at a temperature of between 0 °C and 40 °C, atmospheric pressure of 795 - 1060 hPa and a humidity of 30 - 75%.
- Do not store the product near heat sources.
- Do not expose the product to direct sunlight.

8.2 Re-use

The product is suitable for re-use. The number of re-uses depends on the frequency of use and the manner in which the product was used. Before re-use, the product should be cleaned and disinfected and be checked to ensure it is in proper and safe working order. Repair if necessary.

8.3 Disposal

The disposal and recycling of used products and packaging must be conducted in accordance with the applicable statutory regulations.

The manufacturer can handle the correct and complete disposal of the device.

This product contains a rechargeable lead battery. Old batteries may contain hazardous substances which could be a danger to the environment and public health. Please take these back to the dealer or bring them to the local recycling depot. Batteries can be returned free-of-charge as required by law.

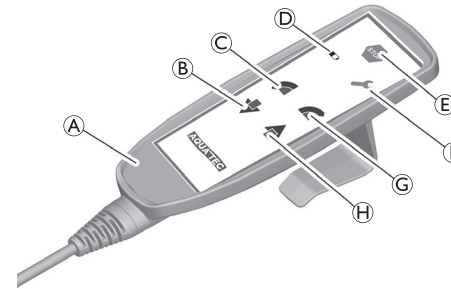
9 Troubleshooting

9.1 Identifying and repairing faults



The following table provides information on malfunctions and their possible causes.

If you cannot correct the malfunction using the remedies named, please contact your dealer directly.



| Fault | Possible cause(s) | Remedy | |
|---|---|--|---------------------------------------|
| An acoustic signal sounds and indicator lamp ④ on hand control ① lights up while the device is moving | Battery almost exhausted | ▸ Charge the battery (see Section 4.11) | |
| The "SERVICE" indicator lamp ⑥ on the hand control lights up | Hand control faulty | ▸ Implement reset (see below) | |
| | Software error | | |
| | Emergency lowering mechanism button faulty | | |
| | Power failure while moving | | |
| | Drive faulty | | |
| Emergency lowering mechanism not working | Controller faulty | ▸ Charge the battery (see Section 4.11) or use a replacement battery | |
| | Battery flat | | |
| | Cable not fully inserted | | ▸ Insert the cable fully |
| | Connector strip not connected | | ▸ Connector strip connected (engaged) |
| Tilted position of the seat frame | Faulty button | ▸ Implement reset (see below) | |
| | The motors were raised to different heights | ▸ Hold the Down button ② on the hand control until the drives are fully lowered and you hear the limit switch click into place | |

| Fault | Possible cause(s) | Remedy |
|--|--|---|
| The seat frame will not move upwards or The seat frame will not move downwards or The seat frame will not tilt | Weight limit exceeded | ▸ Max. load 150 kg |
| | Cable not correctly inserted | ▸ Insert the cable correctly |
| | Connector strip not connected | ▸ Connector strip connected (engaged) |
| | Cable incorrectly attached to controller | ▸ Motor for tilting always on channel 7 |
| | Connector cable broken | ▸ Replace the cable |
| | Connector cable not fully inserted | ▸ Insert the cable fully and close the safety bar. |
| | Controller faulty | ▸ Implement reset (see below) |
| | Battery flat | ▸ Charge the battery (see Section 4.1 I) or use a replacement battery |
| | Hand control cable is not inserted correctly | ▸ Insert the cable fully |
| Battery will not charge | Hand control faulty | ▸ Implement reset (see below) or ▸ Replace the hand control |
| | Faulty battery | ▸ Replace the battery |
| | Connector not correctly inserted | ▸ Check that all the connectors are positioned correctly |

Implementing a reset

1. Hold down the following three buttons simultaneously for about three seconds on the hand control: Red STOP button (E), Forward button (C) and Up button (H).

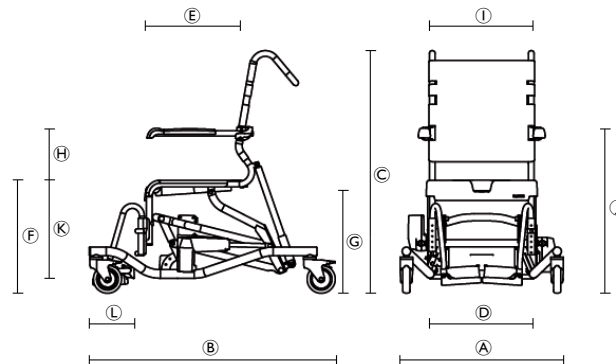
An acoustic signal will be heard while the three buttons are held down.

2. When „SERVICE“ indicator lamp (F) goes out, release the buttons. The device is ready to use again.
3. Then move the drives for adjusting the height to the lowest position until you hear the drives switch off.
4. Move the tilt drive to the rear end position until you hear the drive switch off. (The red LED flashes and an acoustic signal is heard).

IMPORTANT

- If the fault recurs after the reset, replace the device or the faulty parts and send them to us.

10 Technical data



10.1 Dimensions and weight

| | | |
|---|---|----------------|
| Ⓐ | Total width | 730 mm |
| Ⓑ | Depth (without footrests) | 1010 mm |
| Ⓒ | Height (without headrest) | 1070 – 1620 mm |
| Ⓓ | Seat width | 480 mm |
| Ⓔ | Seat depth | 450 mm |
| Ⓕ | Seat height | 500 – 1050 mm |
| Ⓖ | Measure the distance between the floor and the bracket for the commode pan. | 420 – 970 mm |
| Ⓗ | Height, seat to armrest | 230 – 270 mm |
| Ⓘ | Width between the armrests | 470 mm |
| Ⓙ | Height to armrests | 730 – 1320 mm |
| Ⓚ | Height, footrests to seat | 345 – 465 mm |
| Ⓛ | Footplate depth | 155 mm |
| Ⓜ | Width, hygiene recess | 205 mm |
| Ⓝ | Depth, hygiene recess | 320 mm |
| | Height adjustment | stepless |
| | Wheel diameter | 5" (127 mm) |
| | Weight | approx. 39 kg |
| | Load capacity | 150 kg |

10.2 Electronic data

| | |
|---|----------------------------|
| Operating voltage | 24 V |
| Rated input power | 170 VA |
| Battery type | Lead acid |
| Typical operating time | 40 cycles |
| Charger input | 230 – 240 V AC, 50 – 60 Hz |
| Charger output | 24 V DC, 12 VA |
| Charge time from low-voltage warning | approx. 5 – 6 h |
| Type of protection, drive, battery pack and electronics housing | IP X6 W ¹⁾ |
| Type of protection, charger | IP 40 ²⁾ |
| Type of protection, entire device | IP X6 W ¹⁾ |
| Sound power level | 52 dB(A) |

¹⁾ Protected against the penetration of water in the event of strong jets of water, tested under stipulated weather conditions.

²⁾ Protected from solid foreign bodies measuring 1.0 mm or more, not protected against the penetration of water.

10.3 Materials

| | |
|----------------|---------------------------------------|
| Frame | Stainless steel, powder-coated |
| Seat plate | Polypropylene |
| Backrest cover | Nylon, PVC-coated |
| Footrests | Polypropylene, fiber-glass reinforced |
| Armrests | Polypropylene |
| Wheels | Plastics and stainless steel |

All product components are corrosion resistant and latex free.

| | | | | | |
|----------|--|-----------|-----------|------------------------------------|-----------|
| I | Allgemeines | 23 | 5 | Bedienung | 33 |
| 1.1 | Allgemeine Informationen | 23 | 5.1 | Sicherheitsinformationen | 33 |
| 1.2 | Symbole in dieser Gebrauchsanweisung | 23 | 5.2 | Armlehnen schwenken | 34 |
| 1.3 | Garantie | 23 | 5.3 | Fußstützen schwenken | 34 |
| 1.4 | Normen und Verordnungen | 23 | 5.4 | Steuern | 34 |
| 1.5 | Bestimmungsgemäße Verwendung | 23 | 5.5 | Richtungsfeststeller einrasten | 35 |
| 1.6 | Produktlebensdauer | 24 | 6 | Transport | 36 |
| 2 | Sicherheit | 24 | 6.1 | Sicherheitsinformationen | 36 |
| 2.1 | Sicherheitsinformationen | 24 | 7 | Wartung | 36 |
| 2.2 | Sicherheitsinformationen zur elektromagnetischen Verträglichkeit | 24 | 7.1 | Wartung und Inspektion | 36 |
| 3 | Beschreibung | 24 | 7.2 | Reinigung und Desinfektion | 36 |
| 3.1 | Komponenten | 24 | 7.3 | Leistungserhaltung der Batteriebox | 37 |
| 3.2 | Typenschild | 25 | 7.4 | Rollen wechseln | 37 |
| 4 | Montage und Installation | 25 | 7.5 | Antriebe wechseln | 37 |
| 4.1 | Sicherheitsinformationen | 25 | 8 | Nach dem Gebrauch | 38 |
| 4.2 | Sitzgestell montieren | 25 | 8.1 | Lagerung | 38 |
| 4.3 | Kopfstütze montieren | 26 | 8.2 | Wiederverwendung | 38 |
| 4.4 | Brustgurt montieren | 27 | 8.3 | Entsorgung | 38 |
| 4.5 | Sitzplatte montieren | 28 | 9 | Störungen beheben | 39 |
| 4.6 | Rückenlehnenbezug einstellen | 28 | 9.1 | Störungen erkennen und beheben | 39 |
| 4.7 | Höhe der Armlehnen einstellen | 29 | 10 | Technische Daten | 40 |
| 4.8 | Fußstützen montieren | 30 | 10.1 | Abmessungen und Gewicht | 41 |
| 4.9 | Elektronikabdeckung montieren | 30 | 10.2 | Elektronische Daten | 41 |
| 4.10 | Batteriebox abnehmen | 31 | 10.3 | Materialien | 41 |
| 4.11 | Akku laden | 32 | | | |

I Allgemeines

I.1 Allgemeine Informationen

In dieser Gebrauchsanweisung finden Sie Informationen und Hinweise darüber, wie Sie den Dusch- und Toilettenrollstuhl sicher und sachgerecht benutzen.

Lesen Sie diese Gebrauchsanweisung aufmerksam durch, bevor Sie das Produkt benutzen. Beachten Sie alle Hinweise, insbesondere die Sicherheitshinweise, und handeln Sie danach.

Die Positionsangaben (A, B, C, ...) in den Handlungsanweisungen beziehen sich immer auf die vorangestellte Grafik.

I.2 Symbole in dieser Gebrauchsanweisung

Warnungen sind in dieser Gebrauchsanweisung mit Symbolen gekennzeichnet. Die Warnsymbole sind neben einer Überschrift abgebildet, die auf die Gefährlichkeit hinweist.



WARNUNG

Weist auf eine gefährliche Situation hin, die bei Nichtbeachtung zu schweren Verletzungen oder zum Tod führen kann.



VORSICHT

Weist auf eine gefährliche Situation hin, die bei Nichtbeachtung zu leichten Verletzungen führen kann.



WICHTIG

Weist auf eine gefährliche Situation hin, die bei Nichtbeachtung zu Sachschäden führen kann.



Nützliche Tipps, Empfehlungen und Informationen für eine effiziente und reibungslose Verwendung.



Dieses Produkt entspricht der Richtlinie 93/42/EWG über Medizinprodukte. Der Markteinführungszeitpunkt für dieses Produkt ist in der CE-Konformitätserklärung angegeben.



Hersteller

I.3 Garantie

Wir gewähren für das Produkt eine Herstellergarantie gemäß unseren Allgemeinen Geschäftsbedingungen für das entsprechende Land. Gewährleistungsansprüche können nur über den Händler geltend gemacht werden, von dem das Produkt bezogen wurde.

I.4 Normen und Verordnungen

Qualität steht für unser Unternehmen an erster Stelle. Sämtliche Verfahren basieren auf den ISO-Normen 9001 und 13485.

Dieses Produkt trägt die CE-Kennzeichnung in Übereinstimmung mit der Richtlinie 93/42/EWG über Medizinprodukte, Klasse I.

Das Produkt entspricht den Anforderungen der Normen DIN EN 12182 (Technische Hilfen für behinderte Menschen) sowie DIN EN 60601-1 (Elektrische Sicherheit) und DIN EN 60601-1-2 (Elektromagnetische Verträglichkeit).

Invacare® arbeitet kontinuierlich daran, zu gewährleisten, dass der Einfluss des Unternehmens auf die Umwelt lokal und global auf ein Minimum reduziert wird. Wir halten die aktuellen Umweltschutzbestimmungen (z. B. der Richtlinien über Elektro- und Elektronik-Altgeräte (WEEE) und der RoHS-Verordnung) ein. Wir verwenden ausschließlich REACH-konforme Materialien und Bauteile.

Bitte wenden sie sich für weitere Informationen an die entsprechende Invacare®-Niederlassung ihres Landes (Kontaktadressen finden sie auf der Rückseite dieser Gebrauchsanweisung).

I.5 Bestimmungsgemäße Verwendung

Der Dusch- und Toilettenrollstuhl ist ausschließlich als Hilfe beim Duschen oder Baden, beim Toilettengang oder für den Transfer im Innenbereich bestimmt. Jede weitere Verwendung ist nicht erlaubt.



WARNUNG Verletzungsgefahr

- Das Produkt niemals als Hilfe zum Ein- oder Aussteigen, zum Auf- oder Absteigen, als Unterlage oder zu ähnlichen Zwecken benutzen.
- Das Produkt nicht im Außenbereich benutzen.

Als Toilettenrollstuhl können Sie das Produkt über einer Standardtoilette oder eigenständig mit Toilettentopf (Option) verwenden.

Einsatztemperatur: 5 - 40 °C

1.6 Produktlebensdauer

Wenn das Produkt gemäß den Sicherheitsvorschriften bestimmungsgemäß verwendet wird, beträgt die zu erwartende Produktlebensdauer 5 Jahre. Die effektive Lebensdauer kann jedoch, abhängig von der Häufigkeit und Intensität des Gebrauchs, variieren.

2 Sicherheit

2.1 Sicherheitsinformationen



WARNUNG Verletzungsgefahr

- ▶ Defektes Produkt nicht verwenden.
- ▶ Bei Funktionsstörungen unverzüglich einen Fachhändler kontaktieren.
- ▶ Keine eigenmächtigen Veränderungen oder Umbauten am Produkt vornehmen.
- ▶ Nur Zubehör verwenden, das für dieses Produkt bestimmt ist.

2.2 Sicherheitsinformationen zur elektromagnetischen Verträglichkeit

Dieses Produkt wurde erfolgreich nach internationalen Normen auf seine elektromagnetische Verträglichkeit hin geprüft. Allerdings können elektromagnetische Felder, wie sie von Radio- und Fernsehsendern, Funkgeräten und Mobiltelefonen erzeugt werden, die Funktion von Produkten mit elektrischem Antrieb beeinflussen. Die, in diesem Produkt verwendete Elektronik kann ebenfalls schwache elektromagnetische Störungen verursachen, die aber unterhalb der gesetzlichen Grenzen liegen. Beachten Sie daher folgende Hinweise:



VORSICHT Elektromagnetische Störungen

Durch elektromagnetische Störeinflüsse könnte der Ocean E-VIP in seiner Funktion gestört werden oder andere Geräte stören.

- ▶ Fremdgerät und/oder den Ocean E-VIP ausschalten, wenn ein solches Verhalten bemerkt wird.
- ▶ Wenn andere, mitgeführte, elektrisch betriebene Medizinprodukte eine Störung verursachen oder selber gestört werden, den Ocean E-VIP ausschalten und Fachhändler kontaktieren.

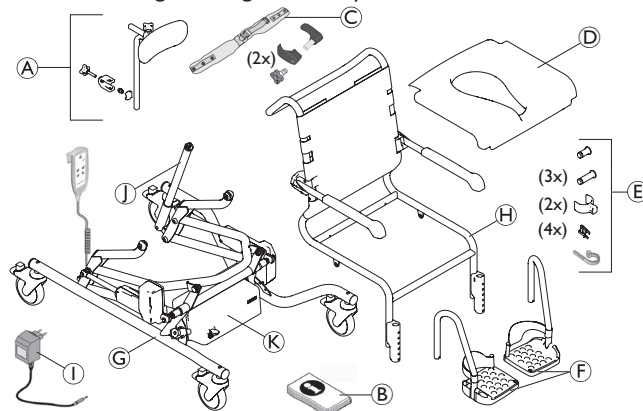
Weitere Daten zu den elektromagnetischen Eigenschaften entnehmen

24 Sie bitte dem Abschnitt 10.4 Leitlinien und Herstellererklärung.

3 Beschreibung

3.1 Komponenten

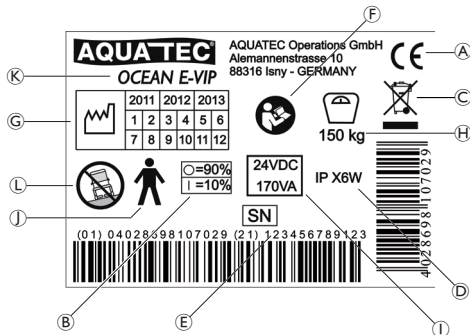
Im Lieferumfang sind folgende Komponenten enthalten:



| | |
|-----|---|
| (A) | Kopfstütze |
| (B) | Gebrauchsanweisung |
| (C) | Brustgurt |
| (D) | Sitzplatte |
| (E) | Bolzen (4 x), Sicherungsclips (4 x), Clips für Fußstützen (2 x), Kabelbinder (1 x) in Beutel verpackt |
| (F) | Fußstützen mit Fersenband (2 x) |
| (G) | Chassis mit Handbedienteil und Kontrollbox mit Batteriebox + Antrieben |
| (H) | Sitzgestell mit Rückenlehnenbezug und Armlehnen |
| (I) | Ladegerät |
| (J) | Antrieb Kantelelung |
| (K) | Elektronikabdeckung |

3.2 Typenschild

Dem Typenschild können Sie wichtige Informationen entnehmen:



| | |
|-----|--|
| (A) | Konformitätskennzeichen |
| (B) | Einschaltdauer (max. 10%, max. 2 min / 18 min) |
| (C) | Hinweis (Entsorgung) |
| (D) | Schutzart |
| (E) | Laufende Gerätenummer |
| (F) | Hinweis (Begleitpapiere beachten) |
| (G) | Produktionszeitraum |
| (H) | Belastbarkeit |
| (I) | Nennspannung / Nennaufnahmeleistung |
| (J) | Anwendungsteil des Typs B |
| (K) | Gerätebezeichnung |
| (L) | Hinweis (Benutzung nur auf ebenen Flächen) |



Das Typenschild ist auf dem Seitenrohr links hinten angebracht.

4 Montage und Installation

4.1 Sicherheitsinformationen



WICHTIG

- Vor der Inbetriebnahme die Teile auf Transportschäden prüfen und ggf. Fachhändler kontaktieren.
- Bei der Montage die richtige Lage der Teile zueinander beachten.

In diesem Abschnitt ist der Zusammenbau beschrieben. Das Zerlegen erfolgt in umgekehrter Reihenfolge.

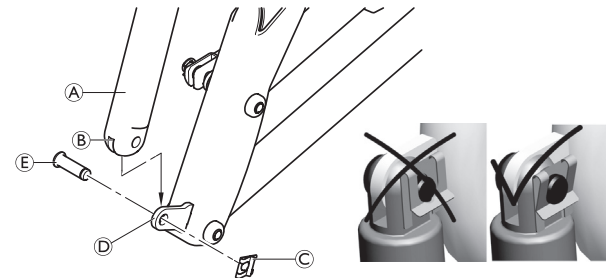
4.2 Sitzgestell montieren



WARNUNG

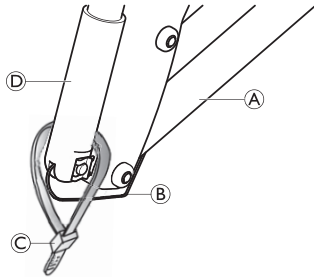
- Gefahr durch herausrutschende Bolzen.
- Darauf achten, dass die Sicherungsclips einrasten und korrekt montiert sind (siehe Bild unten).

1. Alle Rollen mit den roten Fußhebeln arretieren. Dazu den roten Fußhebel der Rollen hinunterdrücken.



2. Den Antrieb für die Kanteelung (A) vom Chassis abnehmen. Dazu den Kabelbinder durchtrennen.
3. Die Gabel (B) am unteren Ende des Antriebs (A) auf die Nase (D) am hinteren Rand des Chassis schieben und die Bohrungen zueinander ausrichten.
4. Bolzen (E) mit Länge 35 mm von außen in die Bohrungen einsetzen und ganz eindrücken.

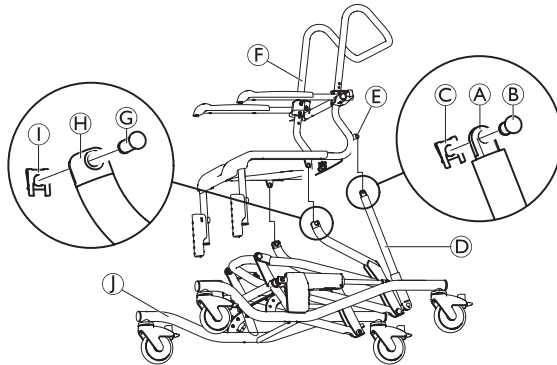
5. Auf der Innenseite einen Sicherungsclip ① aufstecken.



6. Das Kabel ② des Antriebs ④ so weit wie möglich in das Chassis ④ hineinschieben.
7. Das Kabel des Antriebs mit dem beiliegenden Kabelbinder ③ in dieser Position fixieren.

WICHTIG

Die Armlehnen zeigen in abgeklapptem Zustand nach vorn.



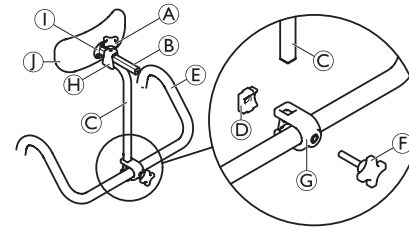
8. Das Sitzgestell ⑥ beidseits in die Aufnahmen ⑧ am Chassis ① einsetzen.

9. Die beiden Bolzen mit der Länge von 35 mm ③ an den Aufnahmen ⑧ von außen einsetzen, ganz eindrücken und die Sicherungsclips ① innen aufstecken.

10. Das Sitzgestell kippen, bis die Bohrungen in der Halterung ⑤ am Sitzgestell und in der Gabel ④ am Kanten-Antrieb ④ übereinstimmen.

11. Den Bolzen mit der Länge von 23 mm ② von außen in die Bohrungen einschieben und den Sicherungsclip ③ innen aufstecken.

4.3 Kopfstütze montieren



WICHTIG

Die Haltestange ③ kann zur Anpassung an den Benutzer mit der Krümmung nach vorne oder nach hinten montiert werden.

Das Polster der Kopfstütze ① kann abgenommen und durch andere Polsterformen (Option) ersetzt werden.

► Zum Abnehmen die Halteschrauben ① lösen.

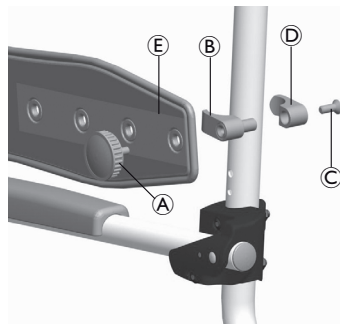
1. Die Schraube mit Sterngriff ⑥ ein kleines Stück in den Bügel ③ eindrehen.
2. Den Bügel mit der Schraube von hinten so auf den Griff der Rückenlehne ⑤ stecken, dass die Schraube in die Bohrung im Griff der Rückenlehne eingreift.
3. Die Platte ④ von vorne so in den Bügel einsetzen, dass die beiden Nasen der Platte nach oben und unten zeigen und die gebogene Seite der Platte am Griff der Rückenlehne anliegt.

WICHTIG

Die Platte muss beim Einstecken der Aufnahme mit ihrer Rundung ganz am Griff der Rückenlehne anliegen.

4. Die Haltestange © von oben in die Ausfräsungen des Bügels stecken.
5. Die Schraube mit Sterngriff ƒ festziehen, bis die Haltestange fixiert ist.
6. Das Polster ① mit dem Polsterhalter ʙ in die Halterung ʙ an der Haltestange stecken.
7. Die obere Schraube mit Sterngriff ʙ festziehen, bis der Polsterhalter fixiert ist.

4.4 Brustgurt montieren



! WICHTIG

- Die beiden Befestigungsschellen auf gleicher Höhe montieren.
 - Die Montage ist für die linke und die rechte Befestigungsschelle spiegelbildlich gleich.
1. Am Rückenlehnenbezug den Gurtverschluss des Gurtes öffnen, auf dessen Höhe der Brustgurt montiert werden soll.
 2. Diesen Gurt innen am Rückenlehnengestell vorbeiführen und wieder schließen.
 3. Den inneren Teil ʙ der Befestigungsschelle (ohne Bolzen mit Innengewinde) um das Rückenlehnengestell legen, so dass die Bohrung nach hinten zeigt.
 4. Den äußeren Teil ʙ der Befestigungsschelle mit dem Bolzen mit Innengewinde in die Bohrung des inneren Teils stecken.

5. Die beiden Teile der Befestigungsschelle mit der Schraube ƒ am Rückenlehnengestell in der gewünschten Position befestigen.
6. Den Brustgurt ʙ mit der Schraube mit Sterngriff ʙ an der Befestigungsschelle befestigen.

Position des Brustgurtes einstellen

! WICHTIG

- Die Position des Brustgurtes an den Benutzer anpassen.
 - Die Position der beiden Befestigungsschellen auf beiden Seiten gleichmäßig verändern.
 - Die Position der rechten und der linken Befestigungsschelle wird auf die gleiche Weise eingestellt.
1. Am Rückenlehnbezug den Gurtverschluss des Gurtes öffnen, der auf Höhe der Brustgurtbefestigung innen am Rückenlehnengestell vorbeigeführt ist.
 2. Am Rückenlehnbezug den Gurtverschluss des Gurtes öffnen, auf dessen Höhe der Brustgurt montiert werden soll.
 3. Diesen Gurt innen am Rückenlehnengestell vorbeiführen und wieder schließen.
 4. Die Schraube mit Sterngriff ʙ herausdrehen.
 5. Den Brustgurt ʙ abnehmen.
 6. Die beiden Teile der Befestigungsschelle ʙ und ʙ abnehmen und an die gewünschte Stelle versetzen.
 7. Den inneren Teil der Befestigungsschelle ʙ um das Rückenlehnengestell legen.
 8. Den äußeren Teil der Befestigungsschelle ʙ auf den Bolzen mit Innengewinde ʙ des inneren Teils stecken.
 9. Den Brustgurt mit der Schraube mit Sterngriff an der Befestigungsschelle anschrauben.
 10. Den noch offenen Gurt des Rückenlehnbezugs außen am Rückenlehnengestell vorbeiführen und schließen
 11. Alle Gurte spannen.

Länge des Brustgurtes einstellen

! WICHTIG

- Die Länge des Brustgurtes an den Benutzer anpassen.

Die Länge des Brustgurtes wird über den Gurtverschluss am Brustgurt angepasst. Sollte der Verstellbereich des Gurtverschlusses nicht ausreichen, die Länge an den Befestigungsschellen folgendermaßen einstellen:

1. Die Schraube mit Sterngriff **A** herausdrehen.
2. Die Länge des Brustgurtes **E** wählen.
3. Den Brustgurt mit der Schraube mit Sterngriff an der Befestigungsschelle anschrauben.

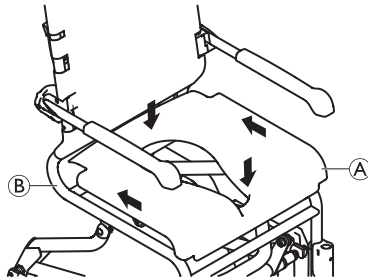
4.5 Sitzplatte montieren

Aufstecken:



VORSICHT Klemmgefahr

- Beim Aufdrücken der Sitzplatte nicht zwischen Sitzfläche und Sitzgestell greifen.

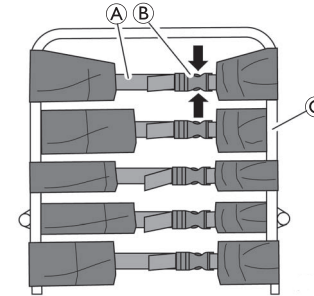


1. Die Sitzplatte **A** mit dem Ausschnitt nach vorn auf das Sitzgestell **B** aufsetzen.
2. Die Sitzplatte so weit wie möglich nach hinten schieben.
3. Mit der flachen Hand die Sitzplatte an den Seiten und anschließend vorn und hinten nach unten drücken, bis die Sitzplatte im Sitzgestell einschnappt.

Abnehmen:

1. Die Sitzplatte an beiden Seiten nach oben ziehen.

4.6 Rückenlehnenbezug einstellen



! WICHTIG

- Zum Anbau von Zubehör oder des Brustgurtes den zweiten Gurtverschluss von oben öffnen und den Rückenlehnenbezug an dieser Stelle innen am Rückenlehnengestell **C** vorbeiführen.
- Es müssen immer mindestens drei Gurtbänder außen am Rückenlehnengestell vorbeigeführt werden und deren Gurtverschlüsse müssen geschlossen sein.

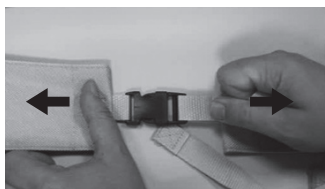
Die Rückenlehnenspannung kann individuell angepasst werden.

Spannen

1. Die Gurte **A** des Rückenlehnenbezugs fester anziehen.

Entspannen

1. Die Gurtverschlüsse **B** durch Eindrücken der Haltenasen (Pfeile) öffnen.
2. Die Gurte durch den Verschluss ein Stück zurückschieben.
3. Die Gurtverschlüsse schließen.
4. Die Gurte leicht nachspannen.

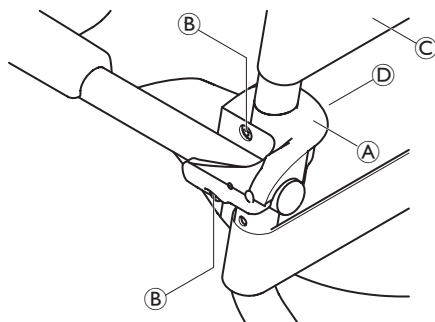


WARNUNG Verletzungsgefahr durch beschädigte Rückenlehnschnallen!

Achten Sie bei jeder Überprüfung oder Wiederaufbereitung des Produkts auf den festen Sitz der Rückenlehnschnallen.

- Prüfen Sie alle Schnallenklappen auf festen Sitz, indem Sie die Schnallen schließen und an beiden Enden daran ziehen.
- Ersetzen Sie die Rückenlehnen / Rückenlehnschnallen, wenn sich eine Schnalle unter der angewandten Zugkraft öffnet.

4.7 Höhe der Armlehnen einstellen



WICHTIG

- Die Höhe der Armlehnen an den Benutzer anpassen.
- Die Höhe der Armlehnen auf beiden Seiten gleichmäßig verändern.
- Die Höhe der rechten und linken Armlehne auf die gleiche Weise einstellen.

1. Am Rückenlehnenbezug den Gurtverschluss des Gurtes öffnen, der innen am Rückenlehnengestell vorbeigeführt ist.
2. Am Rückenlehnenbezug den Gurtverschluss des Gurtes © öffnen, der oberhalb der Armlehne liegt.
3. Diesen Gurt innen am Rückenlehnengestell vorbeiführen und wieder schließen.



Die Muttern sind lose in die Halteschelle eingesetzt und können herausfallen.

4. Die Schrauben ② der Armlehnhalterung ① mit dem beiliegenden Innensechskantschlüssel herausdrehen.
5. Die Halteschelle ④ mit den Muttern von der Innenseite des Rückenlehnengestells abnehmen.
6. Die Armlehnhalterung ① mit der Armlehne abnehmen und nach oben versetzen.



Die kleinere Bohrung dient dazu, die Halteschelle zu fixieren.

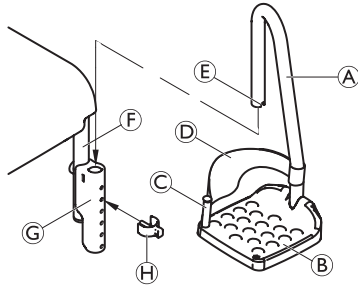
7. Die Schrauben in die Armlehnhalterung einsetzen und durch die Bohrungen im Rückenlehnengestell führen.
8. Ggf. die Muttern wieder in die Halteschelle einsetzen.
9. Die Halteschelle so auf das Rückenlehnengestell aufsetzen, dass die Fixierung an der Halteschelle in die kleinere Bohrung eingreift.
10. Die Schrauben in die Muttern eindrehen und festziehen.
11. Den noch offenen Gurt des Rückenlehnenbezugs außen am Rückenlehnengestell vorbeiführen, schließen und alle Gurte spannen.

WICHTIG

- ! Das Einstellen der Armlehnen auf die untere Position erfolgt in gleicher Weise.
 - Beim Umbau auf die untere Position muss der Gurt, der unterhalb der Armlehne liegt, geöffnet und innerhalb des Rückenlehnengestells vorbeigeführt werden.

4.8 Fußstützen montieren**WICHTIG**

- ! ▸ Die Montage ist für die rechte und linke Fußstütze gleich.



1. Die Fußstütze (A) mit der Fußplatte (B) nach innen in die Führung (G) am Sitzgestell (F) einstecken, bis die Nut (E) in den Stift des Clips (H) eingreift. Die Fußstütze lässt sich seitlich nicht mehr drehen.

Höhe der Fußstützen einstellen

1. Die Fußstütze (A) ein Stück nach oben ziehen.
2. Den Clip (H) herausziehen und in der gewünschten Position wieder einstecken. Die Fußstütze dazu ggf. noch etwas weiter herausziehen.
3. Die Fußstütze nach unten schieben, bis die Nut (E) in den Stift des Clips (H) eingreift.
4. Die zweite Fußstütze wie beschrieben auf die gewünschte Höhe einstellen.

Fersenband abnehmen/anbauen

1. Den Klettverschluss am Fersenband (D) öffnen.
2. Die Schraube (C) von der Unterseite der Fußplatte herausdrehen.
3. Schraube und flexiblen Stift mit Fersenband abnehmen.

Das Anbauen des Fersenbandes erfolgt in umgekehrter Reihenfolge.

WICHTIG

- ! ▸ Beim Anbauen darauf achten, dass der Klettverschluss des Fersenbandes nach hinten zeigt.

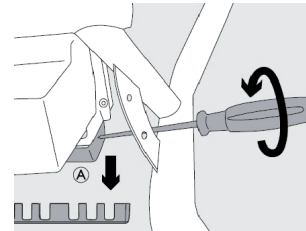
Länge des Fersenbandes einstellen**WICHTIG**

- ! ▸ Darauf achten, dass der Klettverschluss des Fersenbandes nach hinten zeigt.

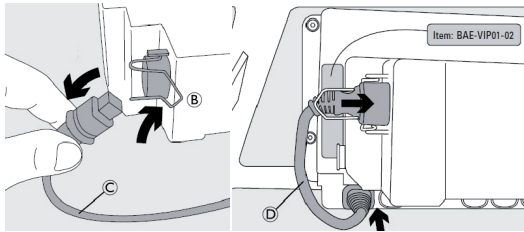
1. Den Klettverschluss am Fersenband (D) öffnen.
2. Das Fersenband auf die gewünschte Länge einstellen.
3. Den Klettverschluss wieder schließen.

4.9 Elektronikabdeckung montieren

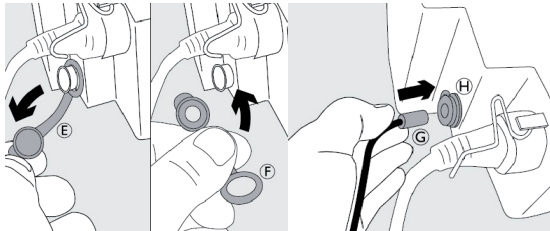
1. Beide Fußstützen nach außen schwenken oder abnehmen.
2. Den Dusch- und Toilettenstuhl mit dem Handbedienteil in die höchste Position fahren, siehe Abschnitt 5.4 Steuern, Heben.



3. Klemmleiste ① abnehmen.

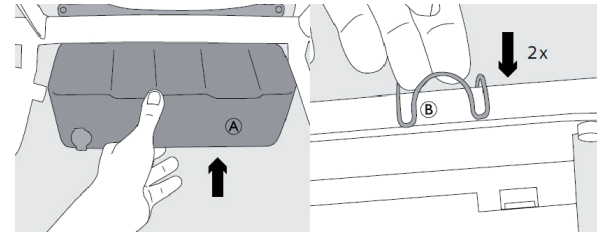


4. Sicherungsbügel ② nach vorn klappen.
5. Langes Verbindungskabel ③ (180mm) zwischen Batteriebox und Elektronikbox entfernen.
6. Kurzes Verbindungskabel ④ (110mm) einstecken.
7. Sicherungsbügel wieder nach hinten klappen.
8. Klemmleiste wieder aufstecken.

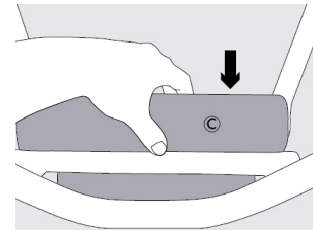


9. Den blauen Verschlussstopfen ⑤ der Ladebuchse gegen den Verschlussstopfen mit Loch ⑥ tauschen.
10. Den an der Elektronikabdeckung befindlichen Stecker ③ in die Ladebuchse ④ der Batteriebox stecken.

! **WICHTIG**
 ▶ Auf richtigen Sitz des Steckers achten.



11. Den vorderen Teil ① der Elektronikabdeckung aufstecken und mit den Sicherungsclips ② am Rohr befestigen.



12. Den hinteren Teil der Elektronikabdeckung ③ von oben aufstecken.

Demontieren:

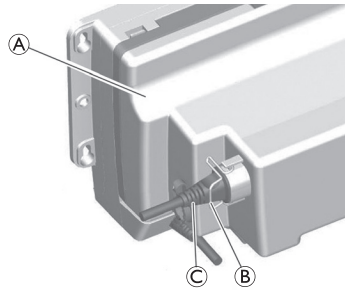
Die Demontage der Elektronikabdeckung erfolgt in umgekehrter Reihenfolge wie die Montage.

4.10 Batteriebox abnehmen

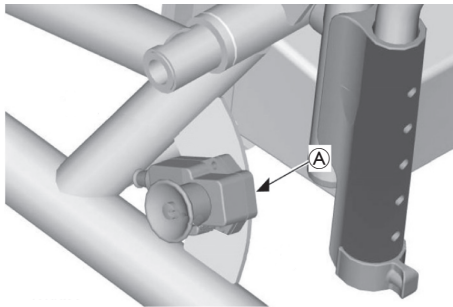
1. Elektronikabdeckung entfernen, siehe 4.9 Elektronikabdeckung montieren, Demontage.

! **WICHTIG**
 ▶ Darauf achten, dass die Steckverbindung zwischen Elektronikabdeckung und Batteriebox getrennt ist.

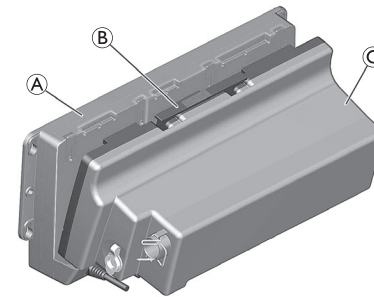
2. Die Fußstützen nach oben aus den Führungen herausziehen und beiseite legen.



3. Den Sicherungsbügel **B** nach vorn klappen und den Stecker **C** aus der Batteriebox **A** herausziehen.



4. Das Verbindungskabel in den Kabelhalter **A** einstecken.



5. Mit einer Hand die Entriegelungsleiste **B** oben an der Batteriebox **C** nach hinten drücken.
 6. Mit der anderen Hand die Batteriebox ca. 5 mm anheben und ca. 10 mm herausziehen.
 7. Die Batteriebox mit einer Dreh- und Kippbewegung von der Kontrollbox **A** abnehmen.

4.11 Akku laden

Während des Ladevorgangs kann das Produkt nicht verwendet werden.

Der Akku kann sowohl bei montierter Elektronikabdeckung als auch bei abgenommener Elektronikabdeckung und ausgebauter Batteriebox geladen werden.



WARNUNG

- Batteriebox niemals ins Feuer werfen und nicht in der Nähe von Feuer lagern.
- Öffnen Sie die Batteriebox nicht. Beim Öffnen erlischt die Gewährleistung.
- Ladegerät nur dann mit dem Stromnetz verbinden, wenn die Batteriebox am Ladegerät angeschlossen ist.



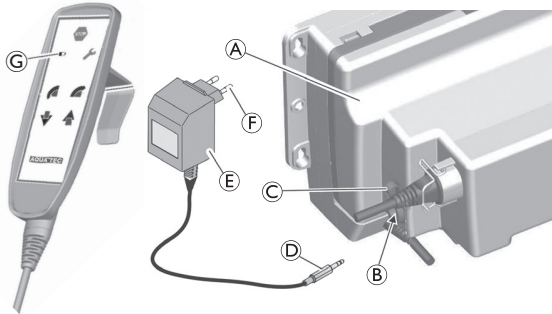
VORSICHT Stromschlaggefahr!

- ▶ Den Akku nur in trockenen Räumen und nie im Badezimmer aufladen.
- ▶ Bei nicht montierter Elektronikabdeckung nach dem Ladevorgang die Buchse an der Batteriebox mit der Verschlusskappe abdichten.



WICHTIG

- ▶ Zum Laden des Akkus in der Batteriebox ausschließlich das mitgelieferte Ladegerät (*Aquatec® Ocean E-VIP*) benutzen.
- ▶ Darauf achten, dass die Spannungsangabe auf dem Ladegerät mit der Spannung Ihres Stromnetzes übereinstimmt.
- ▶ Zum Erhalten der Lebensdauer des Akkus bei längerem Nichtgebrauch die Hinweise in Abschnitt 7.3 beachten.



1. Die Verschlusskappe C von der Buchse B an der Batteriebox A abziehen.



WICHTIG

Bei montierter Elektronikabdeckung befindet sich die Ladebuchse vorne (nicht seitlich).

3. Den Stecker D des Ladegerätes E ganz in die Buchse B an der Batteriebox stecken.

4. Den Netzstecker F des Ladegerätes in eine vorschriftsmäßige Steckdose stecken.

Die Ladezeit beträgt ca. 5 Stunden. Während dieser Zeit leuchtet die Kontroll-Leuchte G am Handbedienteil gelb. Nach dieser Zeit erfolgt ca. 3 Stunden lang eine Erhaltungsladung (Pulsladen). Während dieser Zeit leuchtet die Kontroll-Leuchte am Handbedienteil grün. Die Steuerung des Ladegerätes beendet nach ca. 8 Stunden den Ladevorgang. Die Kontroll-Leuchte am Handbedienteil erlischt. Somit wird ein „Überladen“ des Akkus vermieden.

5. Den Netzstecker des Ladegerätes aus der Steckdose ziehen.
6. Den Stecker des Ladegerätes aus der Buchse an der Batteriebox ziehen.
7. Die Buchse mit der Verschlusskappe verschließen.

5 Bedienung

5.1 Sicherheitsinformationen



WARNUNG

- ▶ Den Dusch- und Toilettenrollstuhl nur auf ebenen Flächen und nur im Innenbereich einsetzen.
- ▶ Angaben auf dem Typenschild beachten. Den Dusch- und Toilettenrollstuhl nicht überlasten.
- ▶ Vor jedem Gebrauch eine Sichtprüfung am Produkt auf äußere Schäden durchführen.
- ▶ Defektes Produkt nicht benutzen.
- ▶ Den Akku nach jeder Benutzung wieder vollständig aufladen.
- ▶ Beim Transport einer Person immer den Brustgurt anlegen.



WARNUNG Abrutsch- und Wegrollgefahr

- ▶ Vor dem Benutzen sicherstellen, dass die Sitzfläche sicher am Sitzgestell befestigt ist.
- ▶ Vor dem Einsteigen oder Aufstehen, sowie in Parkposition, alle vier Rollen mit den roten Fußhebeln arretieren.



WARNUNG Kippgefahr

- Vor dem Einsteigen oder vor dem Aufstehen die Fußstützen zur Seite schwenken oder die Fußplatten nach oben klappen.
- Vor dem Einsteigen oder vor dem Aufstehen die vorderen Rollen so schwenken, dass die Arretierung nach vorne zeigt.
- Nicht auf die Fußstützen stehen.
- Spindelantriebe niemals demontieren.



WICHTIG Bruchgefahr der Kopfstütze

Den Dusch- und Toilettenrollstuhl nur am Griff der Rückenlehne lenken oder schieben, nicht an der Kopfstütze.

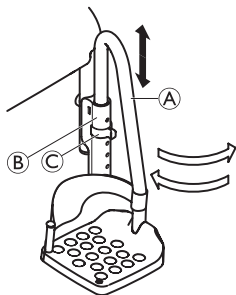
5.2 Armlehnen schwenken



VORSICHT Klemmgefahr durch Klappmechanismus

- Beim Herunter- oder Hochklappen der Armlehnen nicht in das Gelenk greifen.
- Darauf achten, dass keine Teile eingeklemmt werden.
- Beim Hochklappen nicht zwischen Armlehne und Rückenlehne greifen.

5.3 Fußstützen schwenken



Einstiegsposition/Ausstiegsposition:

1. Die Fußstütze (A) in der Führung (B) etwas nach oben ziehen, bis die Nut nicht mehr in den Stift des Clips (C) eingreift.

2. Die Fußstütze zur Seite schwenken.

Fahrposition:



VORSICHT Unfallgefahr durch lose Fußstütze

- Fußstützen in der Fahrposition fixieren.

1. Die Fußstütze (A) nach innen drehen.
2. Die Fußstütze nach unten drücken, bis die Nut in den Stift des Clips (C) eingreift.

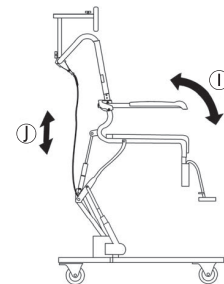
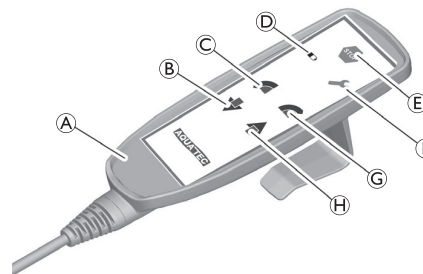
5.4 Steuern

Das Steuern erfolgt über das Handbedienteil.

Das Gerät bleibt beim Loslassen der jeweiligen Tasten sofort in der momentanen Position stehen.

Die Antriebe besitzen aus Sicherheitsgründen Sperrbereiche:

| Sitzhöhe | Kantelung |
|----------------|---|
| 500 bis 600 mm | bis 5° nach vorn bis 35° nach hinten |
| über 600 mm | nicht nach vorn bis 35° nach hinten |



! WICHTIG

Falls der Akku in der Batteriebox nicht mehr ausreichend geladen ist, leuchtet die Kontroll-Leuchte **Ⓢ** am Handbedienteil **Ⓐ** gelb und es ertönt während des Fahrens ein Piepton. Nach dem Aufleuchten der Kontroll-Leuchte sind noch fünf Bewegungszyklen möglich. Danach wird die Hebefunktion des Gerätes gesperrt. Das Absenken ist jedoch noch möglich.

- Den Akku in diesem Fall nach dem Absenken sofort wieder aufladen.

**VORSICHT** Klemmgefahr

- Beim Kanteln oder Absenken nicht zwischen das Sitzgestell und den vorderen Rohrrahmen des Chassis fassen.

! WICHTIG

Wenn das Sitzgestell nach vorn geneigt ist, lässt sich die Sitzhöhe höchstens auf 600 mm einstellen.

Wenn die Sitzhöhe auf mehr als 600 mm eingestellt ist, lässt sich das Sitzgestell nicht mehr nach vorn neigen.

Sitzgestell mit Rückenlehne neigen (Kanteln)

Das Sitzgestell lässt sich ca. 35° nach hinten und ca. 5° nach vorn neigen.

1. Die Zurück-Taste **Ⓢ** oder die Vor-Taste **Ⓢ** am Handbedienteil drücken.

Das Sitzgestell neigt sich nach hinten oder nach vorn **Ⓢ**.

Heben

1. Die Auf-Taste **Ⓢ** am Handbedienteil drücken.

Das Sitzgestell fährt nach oben **Ⓢ**.

Senken

1. Die Ab-Taste **Ⓢ** am Handbedienteil drücken.

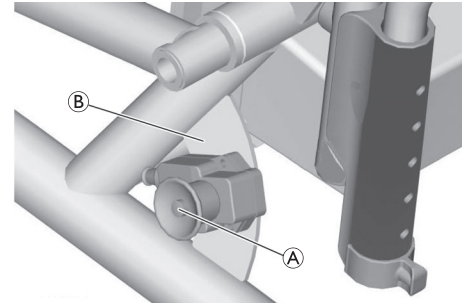
Das Sitzgestell fährt nach unten **Ⓢ**.

Not-Aus**! WICHTIG**

- Rote STOP-Taste **Ⓢ** am Handbedienteil nur dann drücken, wenn das Gerät nach dem Loslassen einer Taste nicht sofort stehen bleibt (z. B. beim Verklemmen einer Taste). Die Bewegung des Gerätes wird sofort gestoppt.

Not-Absenkung

Falls ein Absenken des Sitzgestells über das Handbedienteil nicht mehr möglich ist, kann das Sitzgestell über die Not-Absenkung abgesenkt werden.



1. Taster **Ⓐ** auf der rechten Seite des Chassis **Ⓑ** drücken.

! WICHTIG

- Wenn das Sitzgestell über die Notabsenkung abgesenkt wurde, den Dusch- und Toilettenrollstuhl von einem Fachhändler prüfen lassen.

5.5 Richtungsfeststeller einrasten**! WICHTIG**

- An der Rolle mit dem blauen Fußhebel den Feststeller arretieren. Die Rolle ist in Geradeausstellung fixiert. Der Richtungsfeststeller rastet nur ein, wenn das Rad in Geradeausstellung steht.

6 Transport

6.1 Sicherheitsinformationen



Das Produkt kann zum Transport in die Teile des Lieferumfangs (Kapitel 3.1 Komponenten) zerlegt werden.
 ▶ Demontage des Produkts, siehe Abschnitt 4 „Montage und Installation“.



WICHTIG Beschädigungsgefahr

- ▶ Produkt in trockenen Räumen bei einer Temperatur zwischen 0 °C und 40 °C, einem Luftdruck von 795 - 1060 hPa und einer Luftfeuchtigkeit von 30 - 75 % transportieren.
- ▶ Direkte Sonneneinstrahlung auf das Produkt vermeiden.

7 Wartung

7.1 Wartung und Inspektion

Bei Einhaltung der aufgeführten Reinigungs- und Sicherheitshinweise ist das Produkt wartungsfrei.

Regelmäßig wiederkehrende sicherheitstechnische Kontrollen sind erforderlich.



WARNUNG

- ▶ Niemals eigenmächtig Reparatur- oder sonstige Arbeiten an den Spindeln oder an den elektrischen Komponenten vornehmen. Wenn eine Spindel beschädigt oder defekt ist, unverzüglich den Fachhändler kontaktieren.

1. Produkt regelmäßig auf Beschädigungen und sichere Montage prüfen.
2. Bei Beschädigungen und/oder anfalligen Reparaturen unverzüglich den Fachhändler kontaktieren.
3. Das Produkt vor jedem Wiedereinsatz oder spätestens nach 24 Monaten durch einen autorisierten Fachhändler überprüfen lassen (siehe Herstellerempfehlung für Reha-Produkte des SPECTARIS-Industrieverbandes).

7.2 Reinigung und Desinfektion

Das Produkt ist mit handelsüblichen Mitteln reinig- und desinfizierbar.



WICHTIG

- Die Hygiene ist in dem sensiblen Bereich der Toilette besonders wichtig.
- ▶ Das Produkt sauber halten und regelmäßig reinigen.

1. Produkt mittels großflächiger Wischdesinfektion aller allgemein zugänglicher Flächen desinfizieren (ggf. nach erfolgter Demontage des Produktes).



WICHTIG

- Alle verwendeten Reinigungs- und Desinfektionsmittel müssen wirksam, untereinander kompatibel und materialschonend zu den eingesetzten Werkstoffen sein.
- ▶ Bezüglich Einwirkzeit und Konzentration die Desinfektionsmittelliste des Verbunds für Angewandte Hygiene e.V. (www.vah-online.de) sowie der deutschen Vereinigung zur Bekämpfung der Viruskrankheiten e.V. (www.dvv-ev.de) beachten.
- ▶ Produkt von Hand reinigen.
- ▶ Produkt ohne Scheuermittel reinigen.

Sitzgestell und Chassis reinigen



VORSICHT Gefahr durch elektrischen Strom

- ▶ Vor dem Reinigen alle Kappen schließen und alle Stecker sichern.



WICHTIG Beschädigungsgefahr

- ▶ Halterungen für Zubehör nicht demontieren.

1. Alle Kappen schließen und alle Stecker sichern.
2. Eventuell angebautes Zubehör abnehmen.
3. Die Fußstützen aus den Führungen ziehen.
4. Die Sitzplatte und den Rückenlehnenbezug abnehmen.
5. Die einzelnen Teile mit handelsüblichen Reinigungsmitteln (z. B. Allzweckreiniger) sowie mit einem Lappen oder einer Bürste abwaschen.

6. Die Teile mit warmem Wasser abbrausen.
7. Die Teile mit einem Lappen abtrocknen.
8. Den Dusch- und Toilettenrollstuhl wieder zusammenbauen.



VORSICHT Verbrennungsgefahr

- Den Dusch- und Toilettenrollstuhl nach der Reinigung abkühlen lassen.

Reinigen im Klinikbereich



VORSICHT Verbrennungsgefahr

- Nach dem Autoklavieren das Produkt abkühlen lassen.

1. Zusätzlich zur Reinigung, wie oben beschrieben, das Produkt in regelmäßigen Abständen bei 85 °C für 3 Minuten im Autoklav reinigen.

Rückenbezug reinigen

1. Den Bezug der Rückenlehne abnehmen.
2. Den Bezug bei max. 60 °C mit Feinwaschmittel in der Waschmaschine waschen.



WICHTIG Beschädigungsgefahr

- Waschen bei höheren Temperaturen kann Einlaufen zur Folge haben.
- Bezüge nicht im Wäschetrockner trocknen.



WICHTIG

- Übermäßige Reinigung kann Textilien schädigen.
- Wir empfehlen, den Rückenlehnenbezug alle zwei Jahre zu erneuern.

Ladegerät und Batteriebox reinigen



VORSICHT Gefahr durch elektrischen Strom

- Vor dem Reinigen des Ladegeräts immer den Netzstecker aus der Steckdose ziehen.
- Stecken Sie keine leitenden Gegenstände (z. B. Stricknadel, Metallstift) in die Buchsen der Batteriebox.
- Reinigen Sie das Ladegerät nur mit einem trockenen Tuch.

1. Ladegerät mit einem trockenen Tuch abwischen.
2. Die Batteriebox mit einem feuchten Tuch abwischen und mit einem Lappen abtrocknen.

7.3 Leistungserhaltung der Batteriebox

Wenn das Gerät längere Zeit nicht benutzt wird, den Akku in der Batteriebox vollständig aufladen (ca. 5 - 6 Stunden Ladezeit) und anschließend das Sitzgestell 3-mal ohne Belastung nach oben und wieder nach unten fahren. Diesen Vorgang mindestens alle 6 Monate wiederholen. Dadurch bleibt die Lebensdauer des Akkus länger erhalten.

7.4 Rollen wechseln



WARNUNG Unfallgefahr durch nicht korrekt montierte Rollen.

Das Auswechseln der Rollen muss von einem Fachhändler vorgenommen werden.

7.5 Antriebe wechseln



WARNUNG Unfallgefahr durch nicht korrekt montierte Antriebe.

Das Auswechseln der Antriebe muss von einem Fachhändler vorgenommen werden.

8 Nach dem Gebrauch

8.1 Lagerung

- !** **WICHTIG** Beschädigungsgefahr
- Produkt in trockenen Räumen bei einer Temperatur zwischen 0 °C und 40 °C, einem Luftdruck von 795 - 1060 hPa und einer Luftfeuchtigkeit von 30 - 75 % lagern.
 - Produkt nicht in der Nähe von Wärmequellen lagern.
 - Direkte Sonneneinstrahlung auf das Produkt vermeiden.

8.2 Wiederverwendung

Das Produkt ist für den Wiedereinsatz geeignet. Die Anzahl der Wiedereinsätze ist abhängig von der Nutzungshäufigkeit und Nutzungsweise des Produkts. Vor dem Wiedereinsatz das Produkt hygienisch aufbereiten sowie die technisch-funktionelle Sicherheit des Produkts prüfen und ggf. wiederherstellen.

8.3 Entsorgung

Entsorgung und Recycling benutzter Produkte und Verpackungen müssen gemäß geltender Vorschriften erfolgen.

Die richtige und vollständige Entsorgung kann vom Hersteller übernommen werden.

Das vorliegende Produkt enthält einen wiederaufladbaren Blei-Akku. Alt-Batterien enthalten möglicherweise Schadstoffe, die der Umwelt sowie der Gesundheit Schaden können. Bitte geben Sie diese im Handel oder bei Recyclingstandorten der Kommunen ab. Die Rückgabe ist unentgeltlich und gesetzlich vorgeschrieben.

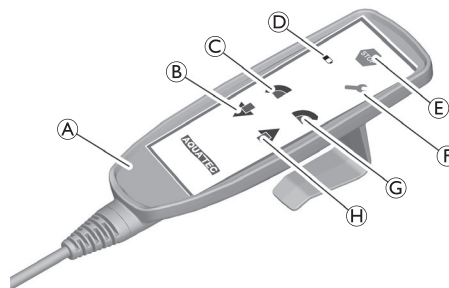
9 Störungen beheben

9.1 Störungen erkennen und beheben



Die folgende Tabelle gibt Ihnen Hinweise auf Störungen und deren mögliche Ursachen.

Können Sie die Störung anhand der genannten Abhilfen nicht beseitigen, wenden Sie sich bitte direkt an Ihren Fachhändler.



| Störung | Mögliche Ursache(n) | Abhilfe | |
|--|--|-------------------------------------|--|
| Beim Fahren ertönt Piepton und Kontroll-Leuchte ④ am Handbedienteil ① leuchtet | Akku nahezu entladen | ▸ Akku laden (siehe Abschnitt 4.11) | |
| Kontroll-Leuchte „SERVICE“ ⑥ am Handbedienteil leuchtet | Handbedienteil defekt | ▸ Reset durchführen (siehe unten) | |
| | Softwarefehler | | |
| | Taster der Not-Absenkung defekt | | |
| | Stromausfall während des Fahrens | | |
| | Antrieb defekt | | |
| Taster der Not-Absenkung ohne Funktion | Steuerung defekt | ▸ Reset durchführen (siehe unten) | |
| | Akku leer | | ▸ Akku laden (siehe Abschnitt 4.11) oder Ersatzakku verwenden |
| | Kabel nicht ganz eingesteckt | | ▸ Kabel ganz einstecken |
| | Steckerleiste (Kamm) nicht aufgesteckt | | ▸ Steckerleiste aufstecken (rastet ein) |
| Schräglage des Sitzgestells | Taster defekt | ▸ Reset durchführen (siehe unten) | |
| | Motoren wurden unterschiedlich weit nach oben gefahren | | ▸ Am Handbedienteil Ab-Taste ② so lange drücken, bis Antriebe ganz nach unten gefahren sind und Klickton des Endschalters ertönt |

| Störung | Mögliche Ursache(n) | Abhilfe |
|--|---|--|
| Sitzgestell fährt nicht nach oben oder Sitzgestell fährt nicht nach unten oder Sitzgestell kantelt nicht | Lastgrenze überschritten | ▸ Belastung max. 150 kg |
| | Kabel nicht richtig eingesteckt | ▸ Kabel richtig einstecken |
| | Steckerleiste (Kamm) nicht aufgesteckt | ▸ Steckerleiste aufstecken (rastet ein) |
| | Kabel an Steuerung falsch eingesteckt | ▸ Motor für Kantelung immer Kanal 7 |
| | Verbindungskabel abgerissen | ▸ Kabel ersetzen |
| | Verbindungskabel nicht ganz eingesteckt | ▸ Kabel ganz einstecken und Sicherungsbügel schließen |
| | Steuerung defekt | ▸ Reset durchführen (siehe unten) |
| | Akku leer | ▸ Akku laden (siehe Abschnitt 4.11) oder Ersatzakku verwenden |
| | Kabel des Handbedienteils nicht richtig eingesteckt | ▸ Kabel ganz einstecken |
| Akku lässt sich nicht laden | Handbedienteil defekt | ▸ Reset durchführen (siehe unten) oder ▸ Handbedienteil wechseln |
| | Akku defekt | ▸ Akku austauschen |
| | Stecker nicht richtig eingesteckt | ▸ Richtigen Sitz aller Stecker überprüfen |

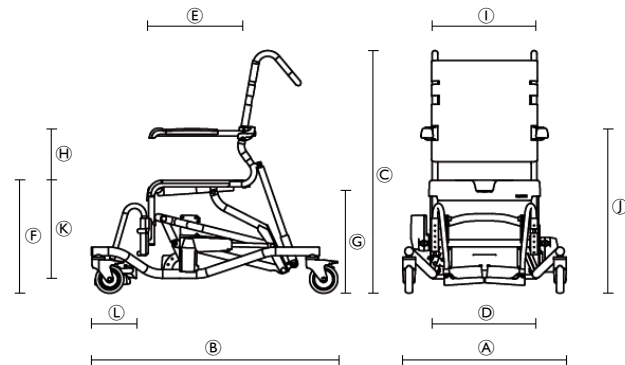
Reset durchführen

1. Folgende drei Tasten am Handbedienteil ca. 3 Sekunden lang gleichzeitig drücken: Rote STOP-Taste (E), Vor-Taste (C) und Auf-Taste (H).
2. Während die drei Tasten gedrückt sind, ertönt ein Piepton.
3. Wenn die Kontroll-Leuchte „SERVICE“ (F) erlischt, die Tasten loslassen. Das Gerät ist wieder einsatzbereit.
4. Anschließend die Antriebe für die Höhenverstellung in die untere Endposition fahren, bis die Antriebe hörbar abschalten.
5. Den Antrieb für die Kantelung in die hintere Endposition fahren, bis der Antrieb hörbar abschaltet. (Rote LED blinkt und ein Piepsignal ertönt).

WICHTIG

- Wenn der Fehler nach dem Reset erneut auftritt, das Gerät bzw. die defekten Teile wechseln und einschicken.

10 Technische Daten



10.1 Abmessungen und Gewicht

| | | |
|---|--|----------------|
| Ⓐ | Gesamtbreite | 730 mm |
| Ⓑ | Tiefe (ohne Fußstützen) | 1010 mm |
| Ⓒ | Höhe (ohne Kopfstütze) | 1070 – 1620 mm |
| Ⓓ | Sitzbreite | 480 mm |
| Ⓔ | Sitztiefe | 450 mm |
| Ⓕ | Sitzhöhe | 500 – 1050 mm |
| Ⓖ | Abstand zwischen Boden und Halterung für den Toilettentopf | 420 – 970 mm |
| Ⓗ | Höhe Sitz - Armlehnen | 230 – 270 mm |
| Ⓘ | Breite zwischen den Armlehnen | 470 mm |
| Ⓝ | Höhe bis Armlehnen | 730 – 1320 mm |
| Ⓚ | Höhe Fußstützen - Sitz | 345 – 465 mm |
| Ⓛ | Fußplattentiefe | 155 mm |
| Ⓜ | Breite Hygieneausschnitt | 205 mm |
| Ⓝ | Tiefe Hygieneausschnitt | 320 mm |
| | Höhenverstellung | stufenlos |
| | Durchmesser Rollen | 5" (127 mm) |
| | Gewicht | ca. 39 kg |
| | Belastbarkeit | 150 kg |

10.2 Elektronische Daten

| | |
|---|-------------------------------|
| Betriebsspannung | 24 V |
| Nennaufnahmeleistung | 170 VA |
| Akkutyp | Blei-Säure |
| Typische Betriebsdauer | 40 Zyklen |
| Ladegerät Eingang | 230 – 240 V AC, 50 – 60 Hz |
| Ladegerät Ausgang | 24 V DC, 12 VA |
| Ladezeit ab Unterspannungsanzeige | ca. 5 – 6 h |
| Schutzart Antrieb, Batteriebox und Gehäuse der Elektronik | IP X6 W ¹⁾ |
| Schutzart Ladegerät | IP 40 ²⁾ |
| Schutzart Gesamtgerät | IP X6 W ¹⁾ |
| Schalleistungspegel | 52 dB(A) |

¹⁾ Geschützt gegen Eindringen von Wasser bei starkem Strahlwasser, geprüft bei festgelegten Wetterbedingungen.

²⁾ Geschützt gegen feste Fremdkörper ab 1,0 mm, nicht geschützt gegen Eindringen von Wasser.

10.3 Materialien

| | |
|-------------|----------------------------------|
| Rahmen | Edelstahl, pulverbeschichtet |
| Sitzplatte | Polypropylen |
| Rückenbezug | Nylon, PVC beschichtet |
| Fußstützen | Polypropylen, glasfaserverstärkt |
| Armlehnen | Polypropylen |
| Rollen | Kunststoffe und Edelstahl |

Alle Komponenten des Produkts sind korrosionsbeständig und frei von Latex.

| | | | | | |
|----------|--|-----------|-----------|---|-----------|
| 1 | Informations générales | 43 | 5 | Fonctionnement | 53 |
| 1.1 | Informations générales | 43 | 5.1 | Informations relatives à la sécurité | 53 |
| 1.2 | Symboles figurant dans le présent manuel d'utilisation | 43 | 5.2 | Rotation des accoudoirs | 54 |
| 1.3 | Garantie | 43 | 5.3 | Rotation des repose-pieds | 54 |
| 1.4 | Normes et réglementations | 43 | 5.4 | Commande | 54 |
| 1.5 | Utilisation conforme | 43 | 5.5 | Enclenchement du dispositif de blocage directionnel | 55 |
| 1.6 | Durée du produit | 44 | 6 | Transport | 55 |
| 2 | Sécurité | 44 | 6.1 | Informations relatives à la sécurité | 55 |
| 2.1 | Informations relatives à la sécurité | 44 | 7 | Maintenance | 56 |
| 2.2 | Informations relatives à la sécurité concernant la compatibilité électromagnétique | 44 | 7.1 | Maintenance et entretien | 56 |
| 3 | Description | 44 | 7.2 | Nettoyage et désinfection | 56 |
| 3.1 | Composants | 44 | 7.3 | Maintenance de la performance du bloc-batterie | 57 |
| 3.2 | Autocollant d'identification | 45 | 7.4 | Changement des roues | 57 |
| 4 | Montage et installation | 45 | 7.5 | Changement des commandes | 57 |
| 4.1 | Informations relatives à la sécurité | 45 | 8 | Après utilisation | 57 |
| 4.2 | Montage du cadre d'assise | 45 | 8.1 | Stockage | 57 |
| 4.3 | Fixation de l'appui-tête | 46 | 8.2 | Réutilisation | 57 |
| 4.4 | Réglage de la ceinture pectorale | 47 | 8.3 | Élimination | 58 |
| 4.5 | Fixation de la plaque d'assise | 48 | 9 | Résolution des problèmes | 58 |
| 4.6 | Tension de la toile du dossier | 48 | 9.1 | Identification des défaillances et réparation | 58 |
| 4.7 | Réglage de la hauteur de l'accoudoir | 49 | 10 | Données techniques | 60 |
| 4.8 | Réglage des repose-pieds | 50 | 10.1 | Dimensions et poids | 60 |
| 4.9 | Fixation du capot électronique | 50 | 10.2 | Données électroniques | 61 |
| 4.10 | Retrait du bloc-batterie | 51 | 10.3 | Matériel | 61 |
| 4.11 | Chargement de la batterie | 52 | | | |

I Informations générales

I.1 Informations générales

Ce manuel d'utilisation contient des informations et des remarques sur l'emploi sûr et adéquat de la chaise roulante pour douche/toilettes.

Veillez lire attentivement ce manuel d'utilisation avant d'utiliser ce produit. Veillez respecter toutes les remarques, en particulier les informations de sécurité et agir en conséquence.

Les informations relatives aux positions (A, B, C, etc.) des instructions de montage se réfèrent toujours à la figure précédente.

I.2 Symboles figurant dans le présent manuel d'utilisation

Dans le présent Manuel d'utilisation, les avertissements sont signalisés par des pictogrammes. Ces pictogrammes sont accompagnés d'un entête indiquant le niveau de danger.



AVERTISSEMENT

Indique une situation dangereuse qui pourrait provoquer des blessures graves, voire la mort si elle n'est pas évitée.



ATTENTION

Indique une situation dangereuse qui pourrait provoquer de légères blessures si elle n'est pas évitée.



IMPORTANT

Indique une situation dangereuse qui pourrait provoquer des dommages si elle n'est pas évitée.



Conseils, recommandations et informations utiles pour une utilisation efficace et sans souci.



Ce produit est conforme à la directive 93/42/CEE sur les dispositifs médicaux. La date de lancement de ce produit est indiquée dans la déclaration de conformité CE.



Fabricant

I.3 Garantie

Nous fournissons une garantie fabricant pour le produit, conformément à nos conditions générales de vente en vigueur dans les différents pays. Les réclamations au titre de la garantie ne peuvent être adressées qu'au fournisseur auprès duquel l'appareil a été obtenu.

I.4 Normes et réglementations

La qualité revêt une importance capitale aux yeux de notre société ; tous les procédés sont basés sur les normes ISO 9001 et ISO 13485.

Le présent produit porte le label CE, en conformité avec la Directive relative aux dispositifs médicaux 93/42/CEE Classe I.

Ce produit satisfait aux exigences des normes, DIN EN 12182 (Produits d'assistance pour personnes en situation de handicap) et DIN EN 60601-1 (Sécurité électrique) et DIN EN 60601-1-2 (compatibilité électromagnétique).

Invacare® s'efforce sans relâche de réduire au minimum l'impact de l'entreprise sur l'environnement, localement et à l'échelle mondiale. Nous respectons la législation en vigueur en matière d'environnement (directives DEEE et RoHS p. ex.). Nous n'utilisons que des matériaux et composants conformes au règlement REACH.

Pour toutes informations supplémentaires, contactez la filiale Invacare® présente dans votre pays (adresses fournies à la fin de ce manuel d'utilisation).

I.5 Utilisation conforme

La chaise roulante pour douche/toilettes est uniquement conçue comme un dispositif d'assistance pour la douche, pour aller aux toilettes ou pour transférer des patients à l'intérieur. Elle ne doit pas être utilisée pour d'autres besoins.



AVERTISSEMENT Risque de blessure

- N'utilisez jamais ce produit comme aide pour rentrer dans la baignoire ou en sortir, pour monter ou descendre, comme support ou tout autre usage semblable.
- Non adapté à une utilisation à l'extérieur.

En tant que chaise pour toilettes, elle peut s'employer sur un WC normal ou avec un pot (en option).

Température de fonctionnement : 5 - 40 °C

1.6 Durée du produit

La durée de vie escomptée du produit, lorsqu'il est utilisé dans le respect des instructions de sécurité, est de 5 ans. La durée effective peut varier, toutefois, en fonction de la fréquence et de l'intensité d'utilisation.

2 Sécurité

2.1 Informations relatives à la sécurité



AVERTISSEMENT Risque de blessure

- ▶ N'utilisez pas un produit défectueux.
- ▶ En cas de défaillance, contactez immédiatement un revendeur.
- ▶ Ne procédez à aucune modification non autorisée et ne transformez pas le produit.
- ▶ Utilisez uniquement les accessoires conçus pour ce produit

2.2 Informations relatives à la sécurité concernant la compatibilité électromagnétique

Ce produit a subi avec succès tous les tests de compatibilité électromagnétique conformes aux normes internationales. Toutefois, les champs électromagnétiques tels que ceux générés par des radios et des télévisions, du matériel radio et des téléphones mobiles, peuvent perturber le fonctionnement des produits comportant des commandes électriques. L'électronique utilisée dans ce produit peut aussi provoquer une faible interférence électromagnétique qui reste toutefois inférieure aux limites obligatoires. Vous devez par conséquent respecter les instructions suivantes :



ATTENTION Interférence électromagnétique

Une interférence électromagnétique pourrait provoquer un dysfonctionnement d'Ocean E-VIP ou son interférence avec d'autres appareils.

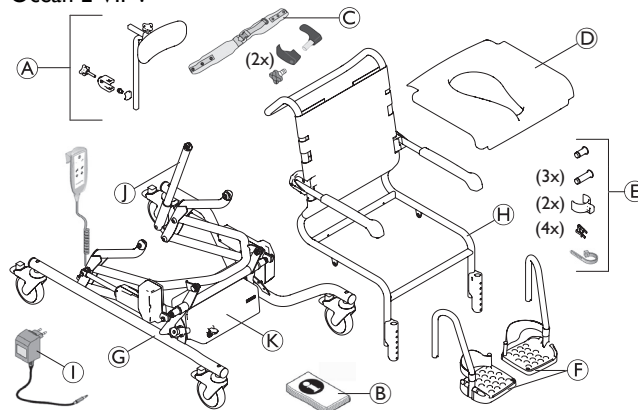
- ▶ Coupez le matériel externe et/ou Ocean E-VIP si vous remarquez ce phénomène.
- ▶ Si d'autres produits médicaux fonctionnant à l'électricité provoquent des interférences ou sont eux-mêmes perturbés, coupez l'alimentation de l'Ocean E-VIP et contactez votre revendeur.

Vous trouverez d'autres informations sur les caractéristiques électromagnétiques du produit dans la Section 10.4 Instructions et déclaration du fabricant.

3 Description

3.1 Composants

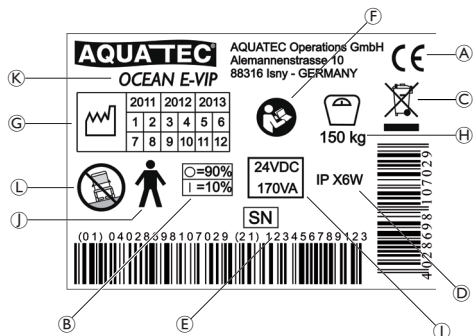
Les composants suivants sont inclus lors de la livraison de l'Aquatec Ocean E-VIP :



| | |
|-----|---|
| (A) | Appui-tête |
| (B) | Manuel d'utilisation |
| (C) | Ceinture pectorale |
| (D) | Plaque d'assise |
| (E) | Vis (4 x), clips de sécurité (4 x), clips pour repose-pieds (2 x), serre-câbles (1 x) conditionnés sous poche |
| (F) | Repose-pieds avec sangle talonnière (x2) |
| (G) | Châssis avec commande manuelle et boîtier de commande avec bloc-batterie + commandes |
| (H) | Cadre du siège avec toile de dossier et accoudoirs |
| (I) | Chargeur |
| (J) | Commande d'inclinaison |
| (K) | Capot électronique |

3.2 Autocollant d'identification

L'autocollant d'identification contient également des informations importantes :



| | |
|---|--|
| A | Marque de conformité |
| B | Facteur de charge (10% max., 2min/18 min max.) |
| C | Remarque (élimination) |
| D | Type de protection |
| E | Numéro de série |
| F | Remarque (observer la documentation) |
| G | Dates du produit |
| H | Capacité de charge |
| I | Tension/puissance nominale |
| J | Pièce appliquée sur le malade type B |
| K | Désignation du produit |
| L | Remarque (à utiliser uniquement sur des surfaces planes) |



L'autocollant d'identification est appliqué sur le tube latéral gauche arrière.

4 Montage et installation

4.1 Informations relatives à la sécurité



IMPORTANT

- ▶ Avant la mise en service, vérifiez les pièces afin de vous assurer qu'elles n'ont pas été endommagées durant le transport et contactez le revendeur si besoin est.
- ▶ Lors du montage, assurez-vous que les pièces sont correctement positionnées l'une par rapport à l'autre.

Cette section explique comment monter le produit. Le produit se démonte en sens inverse.

4.2 Montage du cadre d'assise

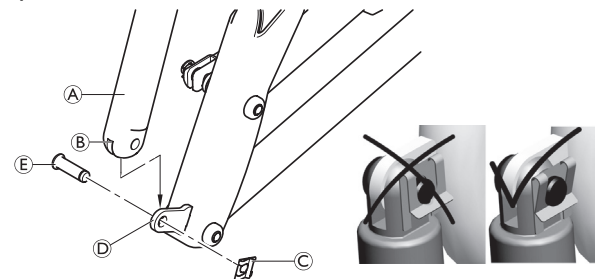


AVERTISSEMENT

Risque de glissement des vis.

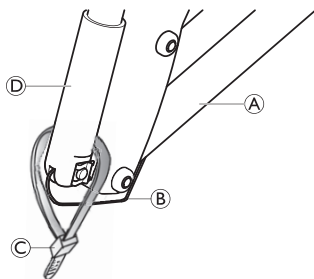
- ▶ Vérifiez que les clips de sécurité s'enclenchent et qu'elles sont correctement ajustées (voir le schéma ci-dessous).

1. Sécurisez toutes les roues avec la manette rouge. Pour cela, appuyez sur cette manette située sur les roues.



2. Retirez la commande de l'inclinaison d'assise A du châssis. Pour ce faire, passez par le serre-câbles.
3. Poussez la fourche B à l'extrémité inférieure de la commande A dans la lèvre D sur le bord arrière du châssis et alignez les orifices.

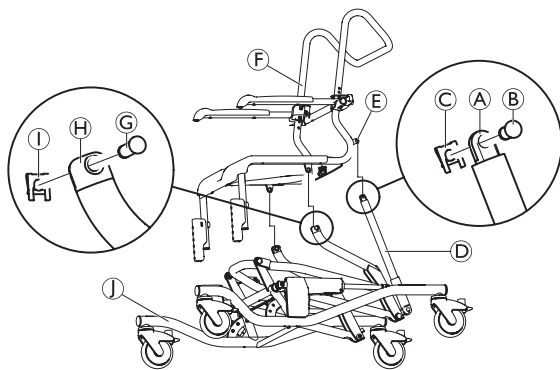
- Insérez la vis ⑤ (35 mm) dans les orifices de l'extérieur et enfoncez-la.
- Fixez un clip de sécurité ③ à l'intérieur.



- Insérez le câble ② de la commande ④ aussi loin que possible dans le châssis ①.
- Utilisez le serre-câbles ③ fourni pour fixer le câble de la commande dans cette position.

IMPORTANT

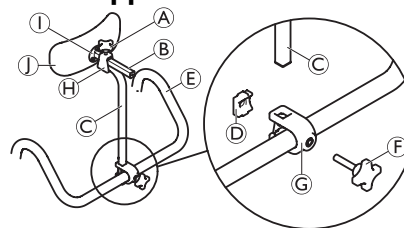
Les accoudoirs sont vers l'avant une fois dépliés.



- Insérez les deux côtés du cadre d'assise ⑥ dans les récepteurs ⑧ sur le châssis ①.
- Insérez les deux vis de 35 mm ⑥ dans les récepteurs ⑧ de l'extérieur, poussez à fond et fixez les clips de sécurité ③ à l'intérieur.
- Inclinez le cadre d'assise jusqu'à ce que les orifices du support ⑤ sur le cadre d'assise et dans la fourche ④ sur la commande d'inclinaison du siège ④ soient alignés.

- Insérez la vis de 23 mm ② dans les orifices de l'extérieur et fixez le clip de sécurité ③ à l'intérieur.

4.3 Fixation de l'appui-tête



IMPORTANT

La barre de retenue ③ peut être fixée avec la courbe vers l'avant ou l'arrière, en fonction des contraintes de l'utilisateur. Vous pouvez retirer et remplacer le coussin de l'appui-tête ① par d'autres formes de coussin (optionnel).

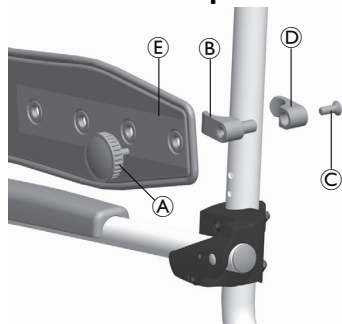
► Pour retirer le coussin, dévissez les vis de montage ①.

- Tournez la vis avec le bouton ⑥ en l'enfonçant un peu dans le support ③.
- Attachez le support avec la vis à la poignée du dossier ⑤ de l'arrière de telle sorte que la vis pénètre dans l'orifice de la poignée du dossier.
- Insérez la plaque ④ dans le support de l'avant de telle sorte que les deux lèvres de la plaque se trouvent face à face vers le haut et le bas et que le côté courbé de la plaque rentre dans la poignée du dossier.

! IMPORTANT

Lorsque vous insérez le support, la courbe de la plaque doit se trouver au même niveau que la poignée du dossier.

4. Insérez la barre de retenue **C** dans les évidements du support par le haut.
5. Serrez la vis avec le bouton **F** jusqu'à ce que la barre de retenue soit fixée.
6. Insérez le coussin **I** avec son support **B** dans le support **H** sur la barre de retenue.
7. Serrez la vis supérieure avec le bouton **A** jusqu'à ce que le support de coussin soit bien fixé.

4.4 Réglage de la ceinture pectorale**! IMPORTANT**

- ▶ Installez les deux supports de fixation à la même hauteur.
- ▶ L'installation des supports de fixation gauche et droit est inversée latéralement.

1. Ouvrez la boucle de la sangle sur la toile de dossier à la hauteur où vous devez fixer la ceinture pectorale.
2. Passez cette sangle à l'intérieur du cadre du dossier et refermez la boucle.
3. Placez la section interne **D** du support de fixation (sans la vis à filetage interne) autour du cadre du dossier de telle sorte que l'orifice soit face à l'arrière.

4. Placez la section externe **B** du support de montage avec la vis à filetage interne dans l'orifice de la section interne.
5. Attachez les deux parties du support de montage dans la position requise avec la vis **C** sur le châssis du dossier.
6. Attachez la ceinture pectorale **F** avec la vis à bouton **A** aux supports de fixation.

Réglage de la position de la ceinture pectorale**! IMPORTANT**

- ▶ Réglez la position de la ceinture pectorale en fonction de l'utilisateur.
- ▶ Réglez la position des deux supports de fixation de la même manière des deux côtés.
- ▶ Réglez la position des supports de fixation droit et gauche de la même manière.

1. Ouvrez la boucle de la sangle sur la toile de dossier qui passe à l'intérieur du châssis du dossier à la hauteur de fixation de la ceinture pectorale.
2. Ouvrez la boucle de la sangle sur la toile de dossier à la hauteur où vous devez fixer la ceinture pectorale.
3. Faites passer cette sangle à l'intérieur du cadre du dossier et refermez la boucle.
4. Dévissez la vis avec le bouton **A**.
5. Retirez la ceinture pectorale **E**.
6. Retirez les deux parties du support de fixation **B** et **D** et déplacez-les dans la position requise.
7. Placez la partie interne du support de fixation **D** autour du châssis du dossier.
8. Placez la section externe du support de fixation **B** sur la vis à filetage interne **C** de la section interne.
9. Utilisez la vis à bouton pour visser la ceinture pectorale au support de fixation.
10. Faites passer la sangle ouverte de la toile de dossier à l'extérieur du cadre du dossier et refermez-la.
11. Serrez toutes les sangles.

Réglage de la longueur de la ceinture pectorale

! IMPORTANT

- Réglez la longueur de la ceinture pectorale en fonction de l'utilisateur.

La boucle située sur la ceinture pectorale permet de régler la longueur de celle-ci. Si la longueur disponible au niveau de la boucle n'est pas suffisante, réglez-la au niveau des supports de fixation comme indiqué ci-dessous.

1. Dévissez la vis avec le bouton (A).
2. Sélectionnez la longueur de la ceinture pectorale (E).
3. Utilisez la vis à bouton pour visser la ceinture pectorale au support de fixation.

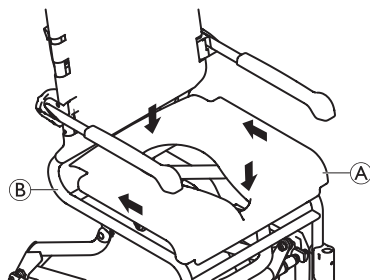
4.5 Fixation de la plaque d'assise

Fixation :



ATTENTION Danger de pincement des doigts

- Ne placez pas vos doigts entre la surface et le cadre d'assise lorsque vous appuyez sur la plaque d'assise.



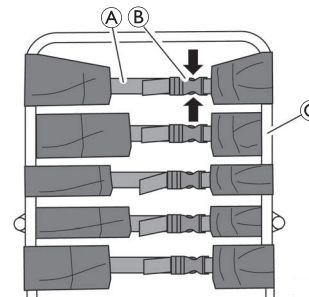
1. Placez la plaque d'assise (A) sur le cadre d'assise (B) avec la découpe dirigée vers l'avant.
2. Repoussez la plaque d'assise vers l'arrière aussi loin que possible.

3. Avec la main à plat, appuyez sur les côtés, puis sur l'avant et l'arrière de la plaque jusqu'à ce qu'elle s'enclenche dans le cadre d'assise.

Retrait :

1. Soulevez la plaque de siège des deux côtés.

4.6 Tension de la toile de dossier



IMPORTANT

- Pour fixer des accessoires ou la ceinture pectorale, ouvrez la deuxième boucle de la sangle par le dessus et faites passer la toile de dossier à l'intérieur du cadre du dossier (C).
- Trois sangles au minimum doivent toujours faire le tour à l'extérieur du cadre du dossier et leurs boucles doivent être fermées.

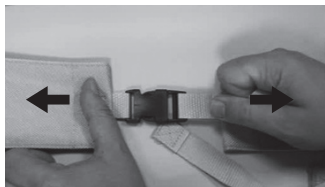
La tension du dossier peut être réglée selon les besoins.

Augmentation de la tension

1. Tendez davantage les sangles (A) sur la toile de dossier.

Réduction de la tension

1. Ouvrez les boucles de la sangle (B) en pressant sur les côtés (flèches).
2. Allongez légèrement les sangles dans les boucles.
3. Fermez les boucles.
4. Serrez légèrement les sangles.

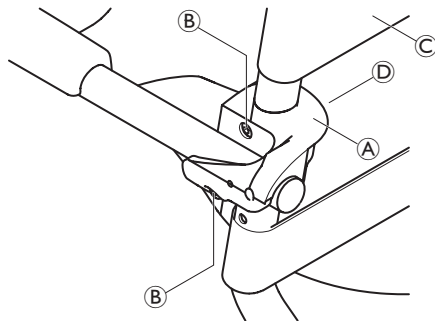


AVERTISSEMENT Risque de blessures dues à des boucles de sangles endommagées sur le dossier !

Vérifiez que les boucles de sangles du dossier sont solidement fixées à chaque maintenance ou reconditionnement du produit.

- Vérifiez la fixation solide de tous les clips en fermant les boucles et en tirant sur leurs extrémités.
- Remplacez le dossier/les boucles de sangles du dossier si une boucle s'ouvre sous la force exercée.

4.7 Réglage de la hauteur de l'accoudoir



IMPORTANT

- Réglez la hauteur des accoudoirs en fonction de l'utilisateur.
- Réglez les accoudoirs à la même hauteur des deux côtés.
- Réglez la hauteur des accoudoirs droit et gauche de la même manière.

1. Au niveau de la toile de dossier, ouvrez la boucle de la sangle qui passe à l'intérieur du cadre du dossier.
2. Ouvrez la boucle de la sangle © sur la toile de dossier, qui passe au-dessus de l'accoudoir.
3. Faites passer cette sangle à l'intérieur du cadre du dossier et refermez la boucle.



Les vis sont insérées sans être serrées dans le dispositif de retenue et risquent de tomber.

4. Dévissez les vis © du support d'accoudoir A au moyen de la clé hexagonale fournie.
5. Retirez la fixation D avec les écrous depuis l'intérieur du cadre du dossier.
6. Retirez le support d'accoudoir A avec l'accoudoir, et déplacez-le vers le haut.



L'orifice le plus petit permet de fixer le dispositif de retenue.

7. Insérez les vis dans le support d'accoudoir et guidez-les dans les orifices du châssis du dossier.
8. Le cas échéant, replacez les écrous dans la fixation.
9. Placez la fixation dans le cadre du dossier de manière à ce que l'attache s'enclenche dans le petit trou.
10. Tournez les vis dans les écrous et serrez-les.
11. Faites passer la sangle de la toile de dossier toujours ouverte à l'extérieur du cadre du dossier, fermez-la et serrez toutes les sangles.



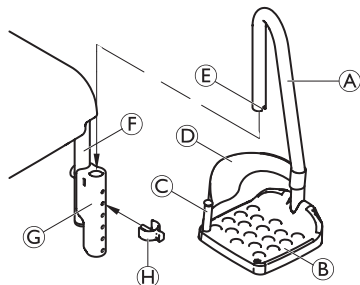
IMPORTANT

- Réglez la hauteur des accoudoirs droit et gauche en position inférieure de la même manière.
- Pour les rabaisser, la sangle située en dessous doit être ouverte et passée à l'intérieur du cadre du dossier.

4.8 Réglage des repose-pieds

IMPORTANT

- ▶ Réglez les repose-pieds droit et gauche exactement de la même manière.



1. Poussez le repose-pied **A** avec la palette **B** dans le guide **C** sur le cadre d'assise **F** jusqu'à ce que la rainure **E** s'enclenche sur l'ergot du clip **H**. Le repose-pied ne doit plus pouvoir pivoter sur le côté.

Réglage de la hauteur du repose-pied

1. Soulevez légèrement le repose-pied **A**.
2. Retirez le clip **H** et réinsérez-le dans la position souhaitée. Si besoin est, retirez un peu plus le repose-pied pour procéder.
3. Poussez le repose-pied vers le bas jusqu'à ce que la rainure **E** s'enclenche dans l'ergot du clip.
4. Réglez le deuxième repose-pied à la hauteur souhaitée, comme indiqué.

Retrait/Ajout des sangles talonnières

1. Ouvrez la bande Velcro® de la sangle talonnière **D**.
2. Retirez la vis **F** du dessous de la palette repose-pied.
3. Retirez la vis et l'ergot en plastique flexible avec la sangle talonnière. La sangle talonnière se fixe en sens inverse.

IMPORTANT

- ▶ Lors de l'installation d'un repose-pied, assurez-vous que la bande Velcro® de la sangle talonnière est orientée vers l'arrière.

Réglage de la sangle talonnière

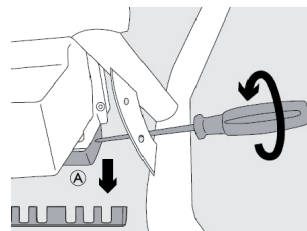
IMPORTANT

- ▶ Assurez-vous que la bande Velcro® de la sangle talonnière est orientée vers l'arrière.

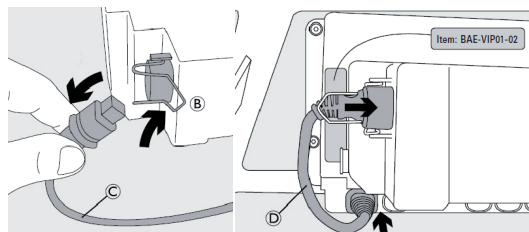
1. Ouvrez la bande Velcro® de la sangle talonnière **D**.
2. Réglez la sangle talonnière à la longueur désirée.
3. Refermez la bande Velcro®.

4.9 Fixation du capot électronique

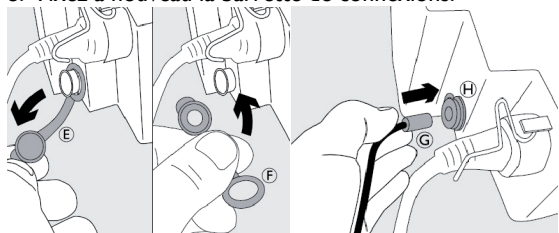
1. Faites tourner les deux repose-pieds vers l'extérieur ou retirez-les.
2. Utilisez la commande manuelle pour déplacer la chaise pour douche/toilettes dans sa position la plus élevée, voir la Section 5.4 Commande, levage.



3. Retirez la barrette de connexions **A**.



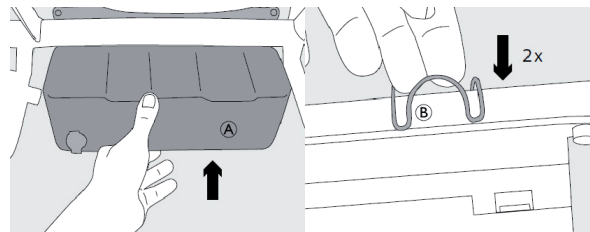
4. Pliez la barre de protection ① vers l'avant.
5. Retirez le câble long du connecteur ② (180 mm) entre le bloc-batterie et le boîtier électronique.
6. Fixez le câble court du connecteur ③ (110 mm).
7. Repliez de nouveau la barre de protection.
8. Fixez à nouveau la barrette de connexions.



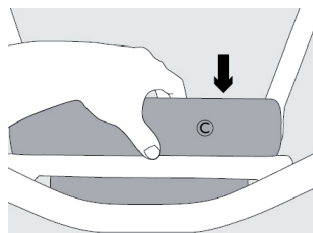
9. Remplacez la fiche bleue ① de la prise de charge par la fiche avec l'orifice ②.
10. Insérez le connecteur ③ sur le capot électronique de la prise de charge ④ du bloc-batterie.

IMPORTANT

▶ Assurez-vous que le connecteur est bien positionné.



11. Attachez la section avant ① au capot électronique et fixez-la sur le tube avec les clips de sécurité ②.

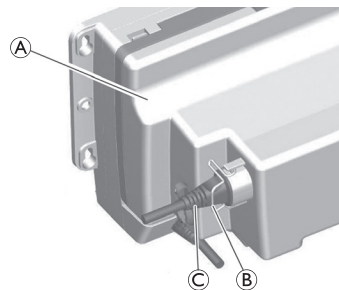


12. Attachez la partie arrière du capot électronique ① par le dessus.

Retrait :

Le boîtier électronique se retire dans l'ordre inverse de l'ordre d'installation.

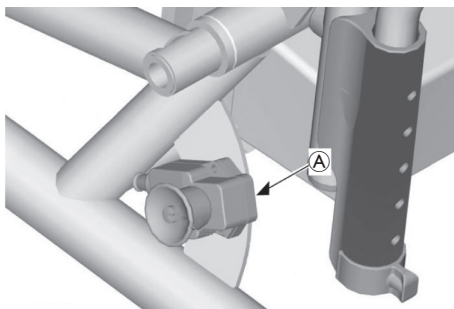
4.10 Retrait du bloc-batterie



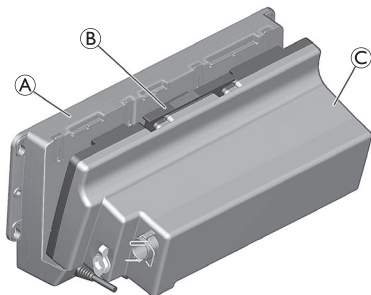
1. Retirez le capot électronique, voir 4.9 Fixation/retrait du capot électronique.

! IMPORTANT

- Assurez-vous que le connecteur entre le capot électronique et le bloc-batterie est débranché.
2. Tirez les repose-pieds vers le haut hors des guides et placez-les sur un côté.
 3. Pliez la barre de protection **B** vers l'avant et retirez le connecteur **C** du bloc-batterie **A**.



4. Insérez le câble du connecteur dans le support de câble **A**.



5. Utilisez une main pour repousser la languette de déblocage **B** sur le haut du bloc-batterie **C**.
6. De l'autre main, soulevez le bloc-batterie de 5 mm environ et sortez-la de 10 mm environ.
7. Retrait du bloc-batterie du boîtier de commande **A** en la faisant tourner et basculer.

4.11 Chargement de la batterie

Pendant le chargement, il est impossible d'utiliser le produit.

Il est possible de charger la batterie lorsque le capot électronique est attaché ou détaché ou lorsque le bloc-batterie est retiré.



AVERTISSEMENT

- Ne jetez jamais le bloc-batterie dans le feu ou ne le stockez pas près de flammes nues.
- N'ouvrez jamais le bloc-batterie. L'ouverture du bloc-batterie annulera la garantie.
- Ne branchez le chargeur sur le secteur que lorsque le bloc-batterie est connecté au chargeur.



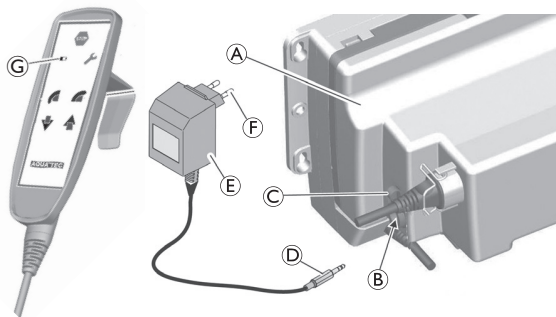
ATTENTION Risque de choc électrique !

- Ne rechargez la batterie que dans des pièces sèches et jamais dans une salle de bains.
- Après avoir retiré le capot électronique après la charge, obturez la prise sur le bloc-batterie avec le capuchon anti-poussière.



IMPORTANT

- Utilisez uniquement le chargeur fourni (Aquatec® Ocean E-VIP) pour charger la batterie dans le bloc-batterie.
- Vérifiez que les caractéristiques de tension affichées sur le chargeur correspondent à celles du secteur.
- Suivez les instructions de la Section 7.3 pour préserver la durée de la batterie lorsqu'elle n'est pas utilisée sur une longue période.



1. Détachez le capuchon C de la prise B sur le bloc-batterie A.

IMPORTANT



Lorsque le capot électronique est en place, la prise de charge se trouve sur l'avant et non sur le côté.

2. Insérez complètement le connecteur D du chargeur E dans la prise B sur le bloc-batterie.
3. Insérez la fiche secteur F du chargeur dans une prise de courant homologuée.

Le temps de charge est de 5 heures environ. Le voyant jaune G sur la commande manuelle s'allume pendant le chargement. Après le chargement, une charge d'entretien (chargement pulsé) est appliquée pendant 3 heures environ. Le voyant vert sur la télécommande s'allume pendant cette opération. Le régulateur du chargeur met fin au processus de charge au bout de 8 heures environ. Le voyant sur la commande manuelle s'éteint. On évite ainsi une « surcharge » de la batterie.

4. Débranchez le chargeur de la prise d'alimentation.
5. Débranchez le connecteur du chargeur de la prise sur le bloc-batterie.
6. Obturez la prise avec le capuchon antipoussière.

5 Fonctionnement

5.1 Informations relatives à la sécurité



AVERTISSEMENT

- Utilisez uniquement la chaise pour douche/toilettes sur une surface plane et à l'intérieur.
- Respectez les spécifications de l'autocollant d'identification. Ne surchargez pas la chaise pour douche/toilettes.
- Procédez toujours à une inspection visuelle du produit afin de déceler toute détérioration avant chaque usage.
- N'utilisez pas un produit défectueux.
- Rechargez complètement la batterie avant chaque utilisation.
- Utilisez toujours la ceinture pectorale lorsque vous transportez une personne.



AVERTISSEMENT Risque de roulement ou de glissement

- Avant utilisation, assurez-vous que le siège est bien fixé sur son châssis.
- Bloquez les quatre roues au moyen des manettes rouges avant de vous asseoir sur le siège ou de vous relever, ainsi que lorsque la chaise est en position d'arrêt.



AVERTISSEMENT Risque de basculement

- Faites pivoter les palettes des repose-pieds sur le côté avant de vous asseoir ou de vous relever, ou remontez-les.
- Faites tourner les roues avant pour que le frein soit vers l'avant avant de vous asseoir ou de vous relever.
- Ne vous tenez jamais debout sur les repose-pieds.
- Ne retirez jamais les commandes des broches.



IMPORTANT Risque de rupture de l'appui-tête

Orientez ou poussez la chaise pour douche/toilettes uniquement avec la poignée sur le dossier, jamais avec l'appui-tête.

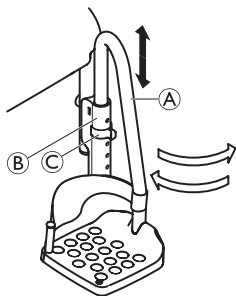
5.2 Rotation des accoudoirs



ATTENTION Risque de se prendre les doigts dans le mécanisme de pliage

- ▶ N'insérez jamais les doigts dans le joint articulé lorsque vous pliez les accoudoirs vers le bas ou vers le haut.
- ▶ Assurez-vous qu'aucune pièce n'est coincée.
- ▶ Ne placez pas les doigts entre les accoudoirs et le dossier lorsque vous pliez les accoudoirs.

5.3 Rotation des repose-pieds



Position de montage/position de démontage :

1. Tirez le repose-pied (A) dans le guide (B) légèrement vers le haut, jusqu'à ce que la rainure ne soit plus engagée dans l'ergot du clip (C).
2. Faites tourner le repose-pied sur le côté.

Position de déplacement :



ATTENTION Risque d'accident provoqué par un repose-pied ballant

- ▶ Fixez les repose-pieds en position de déplacement.

1. Faites tourner le repose-pied (A) vers l'intérieur.
2. Poussez le repose-pied vers le bas jusqu'à ce que la rainure s'enclenche dans l'ergot du clip (C).

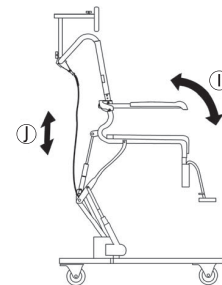
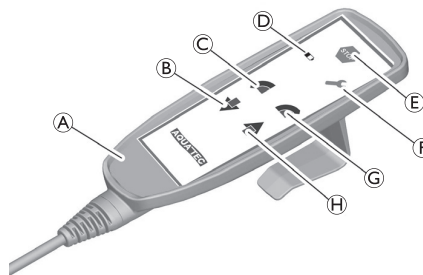
5.4 Commande

54 Ce produit est commandé via la télécommande.

La chaise s'arrêtera immédiatement dans la position où elle se trouve dès que vous aurez relâché sur les boutons correspondants.

Pour des raisons de sécurité, certaines plages de commandes sont bloquées :

| Hauteur du siège | Inclinaison d'assise |
|------------------|---|
| 500 à 600 mm | jusqu'à 5° vers l'avant jusqu'à 35° vers l'arrière |
| plus de 600 mm | pas de déplacement vers l'avant jusqu'à 35° vers l'arrière |



IMPORTANT

Si la batterie dans le bloc-batterie n'est pas suffisamment chargée, le voyant jaune (D) sur la télécommande (A) s'allume et un signal sonore se déclenche lors du déplacement. Une fois le voyant allumé, il ne reste que cinq cycles de déplacements. Ensuite, la fonction de levage de la chaise est désactivée. Vous pouvez toutefois faire encore descendre la chaise.

- ▶ Rechargez immédiatement la batterie après avoir fait descendre la chaise.

**ATTENTION** Danger de pincement des doigts

- Ne placez pas vos doigts entre le cadre d'assise et le cadre tubulaire avant du châssis lorsque vous inclinez ou que vous abaissez la chaise.



**IMPORTANT**


Si vous inclinez le cadre d'assise vers l'avant, vous pouvez régler la hauteur du siège à un maximum de 600 mm.

Si vous réglez la hauteur du siège à plus de 600 mm, vous ne pourrez plus faire basculer le châssis vers l'avant.

Inclinaison d'assise et du dossier

Vous pouvez faire basculer le cadre d'assise de 35° environ vers l'arrière et de 5° environ vers l'avant.

1. Appuyez sur le bouton marche arrière  ou avant  sur la télécommande.

Vous pouvez faire basculer le cadre d'assise vers l'arrière ou vers l'avant .

Montée

1. Appuyez sur le bouton Haut  de la télécommande.


Le cadre d'assise monte .

Descente

1. Appuyez sur le bouton Bas  de la télécommande.

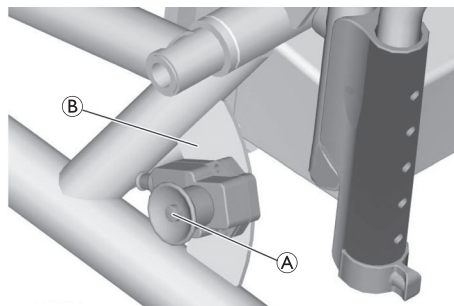
Le cadre d'assise descend .



Arrêt d'urgence**IMPORTANT**

N'appuyez sur le bouton ARRÊT rouge  de la télécommande que si la chaise ne s'arrête pas immédiatement lorsque vous relâchez un bouton (par exemple, si un bouton se bloque). La chaise cessera immédiatement de bouger.

Mécanisme de descente d'urgence

S'il n'est plus possible d'abaisser l'assise avec la télécommande, vous devez utiliser le mécanisme de descente d'urgence pour faire descendre l'assise.



1. Appuyez sur le bouton  sur le côté droit du châssis .

**IMPORTANT**

- Si vous avez fait descendre le châssis en utilisant le mécanisme de descente d'urgence, demandez à un revendeur agréé de vérifier la chaise pour douche/toilettes.

5.5 Enclenchement du dispositif de blocage directionnel**IMPORTANT**

- Bloquez le dispositif de blocage directionnel sur la roue avec la manette bleue. La roue est bloquée et ne se déplacera qu'en ligne droite. Le dispositif de blocage directionnel n'est actif que lorsque la roue est en position droite.

6 Transport**6.1 Informations relatives à la sécurité**

Pour le transport, le produit peut être démonté selon les composants prévus pour la livraison (cf. section 3.1, Composants).

- Pour toute information sur le démontage du produit, voir la Section 4 « Montage et installation ».

! **IMPORTANT** Risque de détérioration

- Transportez le produit dans un endroit sec à une température comprise entre 0 et 40 °C, pression atmosphérique de 795 à 1060 hPa et humidité comprise entre 30 et 75 %.
- Conservez le produit à l'abri de la lumière du soleil.

7 Maintenance

7.1 Maintenance et entretien

Si vous observez les instructions de nettoyage et les consignes de sécurité fournies, aucune intervention de maintenance ne sera nécessaire sur le matériel.

Le produit requiert des contrôles de sécurité réguliers.

**AVERTISSEMENT**

- N'effectuez jamais de réparation non autorisée ou autre intervention sur les broches ou les composants électriques. Si une broche est endommagée ou défectueuse, contactez immédiatement le revendeur.

1. Vérifiez régulièrement le produit afin de vous assurer qu'il n'est pas endommagé et qu'il est monté correctement.
2. En cas de détérioration ou de réparation éventuellement nécessaire, contactez immédiatement votre revendeur.
3. Un revendeur agréé doit vérifier le produit avant chaque réutilisation ou après 24 mois au plus tard (cf. recommandations du fabricant pour le matériel de rééducation de l'association industrielle SPECTARIS).

7.2 Nettoyage et désinfection

Nettoyez et désinfectez le produit avec des désinfectants disponibles dans le commerce.

! **IMPORTANT**

- Dans l'environnement délicat de la salle de bain, l'hygiène est particulièrement importante.
- Le produit doit être propre à tout moment et il doit être nettoyé régulièrement.

1. Désinfectez le produit en essuyant toutes les surfaces généralement accessibles avec du désinfectant (après démontage du produit, si possible).

**IMPORTANT**

- Tous les produits de nettoyage et les désinfectants utilisés doivent être efficaces, compatibles les uns avec les autres et doivent protéger les matériaux qu'ils sont censés nettoyer.
- En ce qui concerne la durée de contact et la concentration, reportez-vous à la liste des désinfectants fournie par la Verbund für Angewandte Hygiene e.V. (www.vah-online.de – Association pour l'hygiène appliquée) ainsi que par la Deutsche Vereinigung zur Bekämpfung der Viruskrankheiten e.V. (www.dvv-ev.de – Association allemande pour la lutte contre les maladies virales).
- Nettoyez le produit à la main.
- N'utilisez pas de produits nettoyants abrasifs.

Nettoyage du cadre du siège et du châssis

**ATTENTION** Risque de courant électrique

- Avant le nettoyage, fermez tous les capuchons et fixez tous les connecteurs.

**IMPORTANT** Risque de détérioration

- Ne retirez pas les supports des accessoires.

1. Fermez tous les capuchons et fixez tous les connecteurs.
2. Retirez tout accessoire amovible.
3. Retirez les repose-pieds des guides.
4. Retirez la plaque d'assise et la toile de dossier.
5. Lavez chaque pièce avec un chiffon ou une brosse, et avec des détergents universels disponibles dans le commerce.
6. Rincez ensuite à l'eau chaude.
7. Essuyez les pièces avec un chiffon sec.
8. Remontez la chaise pour douche/toilettes

**ATTENTION** Risque de brûlure

- Laissez refroidir la chaise pour douche/toilettes avant de la nettoyer.

Nettoyage dans un environnement clinique**ATTENTION** Risque de brûlure

Laissez refroidir le produit après son passage à l'autoclave.

1. En plus du nettoyage indiqué ci-dessus, nettoyez le matériel à des intervalles réguliers à 85 °C pendant 3 minutes dans l'autoclave.

Nettoyage de la toile du dossier

1. Retirez la toile du dossier.
2. Passez la toile à la machine à laver le linge, à une température maximale de 60 °C avec un détergent doux.

**IMPORTANT** Risque de détérioration

- Le lavage à des températures élevées peut provoquer un rétrécissement.
- Ne placez pas les toiles de dossier dans un séchoir.

**IMPORTANT**

Un nettoyage excessif peut endommager le textile.

- Nous recommandons de remplacer la toile de dossier tous les deux ans.

Nettoyage du chargeur et du bloc-batterie**ATTENTION** Risque de courant électrique

- Débranchez toujours la fiche de la prise de courant avant de nettoyer le chargeur.
- N'insérez jamais d'objets fabriqués dans un matériau conducteur (par exemple, aiguilles à tricoter, broches en métal) dans les prises du bloc-batterie.
- Essuyez le chargeur uniquement avec un chiffon sec.

1. Essuyez le chargeur avec un chiffon sec.

2. Essuyez le bloc-batterie avec un chiffon humide et séchez-le avec un chiffon sec.

7.3 Maintenance de la performance du bloc-batterie

Si la chaise doit rester inutilisée un bon moment, chargez complètement la batterie dans le bloc-batterie (5 à 6 heures environ de temps de charge) puis soulevez et abaissez 3 fois le cadre d'assise non occupé. Répétez ce processus tous les 6 mois au minimum. La durée de vie de la batterie en sera prolongée.

7.4 Changement des roues

AVERTISSEMENT Risque de blessure si les roues ne sont pas correctement fixées.

Les roues doivent être remplacées par un revendeur spécialisé.

7.5 Changement des commandes

AVERTISSEMENT Risque de blessure si les commandes ne sont pas correctement fixées.

Les commandes doivent être remplacées par un revendeur spécialisé.

8 Après utilisation**8.1 Stockage**

IMPORTANT Risque de détérioration

- Stockez le produit dans un endroit sec à une température comprise entre 0 et 40 °C, pression atmosphérique de 795 à 1060 hPa et humidité comprise entre 30 et 75 %.
- Ne stockez pas le produit près de sources de chaleur.
- Conservez le produit à l'abri de la lumière du soleil.

8.2 Réutilisation

Ce produit peut être réutilisé. Le nombre de réutilisations dépend de la fréquence d'utilisation et de la façon dont le produit a été utilisé. Avant réutilisation, nettoyez et désinfectez le produit et vérifiez qu'il est en état de fonctionnement correct et sûr. Réparez si nécessaire.

8.3 Élimination

L'élimination et le recyclage de produits et d'emballages utilisés doit se faire conformément aux règlements obligatoires.

Le fabricant peut gérer une élimination correcte et complète du produit.

Ce produit contient une batterie plomb rechargeable.

Les batteries usées peuvent contenir des substances dangereuses qui peuvent être préjudiciables pour l'environnement et la santé publique. Veuillez les ramener au revendeur ou au point de recyclage local.

Vous pouvez renvoyer les batteries gratuitement comme l'exige la loi.

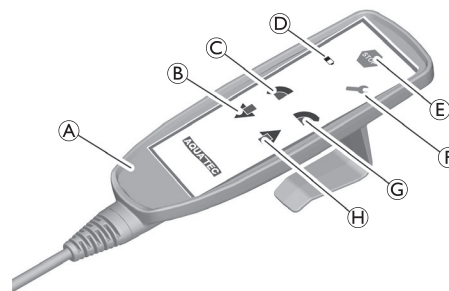
9 Résolution des problèmes

9.1 Identification des défaillances et réparation




Le tableau suivant fournit des informations sur les défaillances et leurs causes possibles.

Si les solutions proposées ne permettent pas de résoudre le problème, veuillez contacter directement votre revendeur.



| Défaillance | Cause(s) possible(s) | Solution |
|---|--|---|
| Si la batterie dans le bloc-batterie n'est pas suffisamment chargée, un voyant D s'allume sur la télécommande A et un signal sonore se déclenche lors du déplacement. | Batterie presque vide | ▸ Chargez la batterie (voir la Section 4.11) |
| Le voyant « SERVICE » F sur la télécommande s'allume | Télécommande défectueuse | ▸ Procédez à une réinitialisation (voir ci-dessous) |
| | Erreur logicielle | |
| | Bouton du mécanisme de descente d'urgence défectueux | |
| | Panne de courant lors du déplacement | |
| | Commande défectueuse | |
| Régulateur défectueux | | |

| Défaillance | Cause(s) possible(s) | Solution |
|--|--|--|
| Le mécanisme d'abaissement d'urgence ne fonctionne pas | Batterie à plat | ► Chargez la batterie (voir Section 4.11) ou utilisez une batterie de remplacement |
| | Le câble n'est pas complètement inséré | ► Insérez complètement le câble |
| | Barrette connecteur non connectée | ► Barrette connecteur connectée (engagée) |
| | Bouton défectueux | ► Procédez à une réinitialisation (voir ci-dessous) |
| Position inclinée du cadre d'assise | Les commandes ont été placées à des hauteurs différentes | ► Maintenez le bouton Bas enfoncé  sur la télécommande jusqu'à ce que les commandes soient complètement abaissées et que vous entendiez la mise en place de l'interrupteur de fin de course |
| Le cadre d'assise ne monte pas ou Le cadre d'assise ne descend pas ou Le cadre d'assise ne s'incline pas | Limite de poids dépassée | ► Charge max. 150 kg |
| | Le câble n'est pas correctement inséré | ► Insérez correctement le câble |
| | Barrette connecteur non connectée | ► Barrette connecteur connectée (engagée) |
| | Câble incorrectement connecté au régulateur | ► Commande d'inclinaison toujours sur le canal 7 |
| | Câble connecteur cassé | ► Remplacez le câble |
| | Le câble connecteur n'est pas complètement inséré | ► Insérez complètement le câble et fermez la barre de protection. |
| | Régulateur défectueux | ► Procédez à une réinitialisation (voir ci-dessous) |
| | Batterie à plat | ► Chargez la batterie (voir Section 4.111) ou utilisez une batterie de remplacement |
| | Le câble de la télécommande n'est pas correctement inséré. | ► Insérez complètement le câble |
| La batterie ne se charge pas | Télécommande défectueuse | ► Procédez à une réinitialisation (voir ci-dessous) ou ► Remplacez la télécommande |
| | Batterie défectueuse | ► Remplacez la batterie |
| | Le connecteur n'est pas correctement inséré | ► Assurez-vous tous les connecteurs sont bien positionnés. |

Mise en oeuvre d'une réinitialisation

1. Maintenez simultanément enfoncés les trois boutons suivants pendant trois secondes environ sur la télécommande : Bouton rouge ARRÊT (E), bouton Avant (C) et Bouton Haut (H).

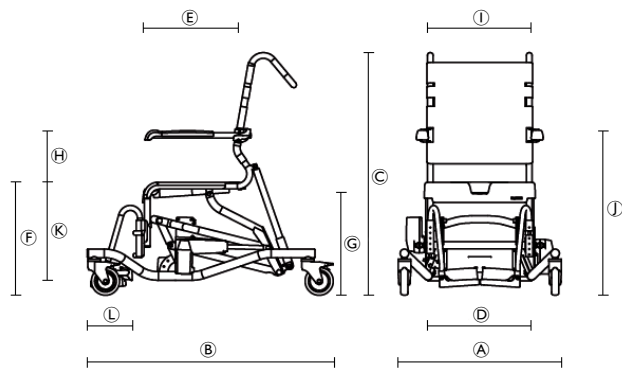
Vous entendrez un signal sonore lorsque vous appuierez sur les trois boutons.

- Lorsque le voyant « SERVICE » (F) s'éteint, relâchez les boutons. La chaise est de nouveau prête pour utilisation.
- Déplacez ensuite les commandes de réglage de hauteur vers la position la plus basse jusqu'à ce que vous entendiez l'extinction des commandes.
- Déplacez la commande d'inclinaison en position terminale arrière jusqu'à ce que vous entendiez l'extinction de la commande. (Le voyant rouge clignote et un signal sonore se déclenche).

IMPORTANT

- Si la panne se reproduit après réinitialisation, remplacez le produit ou les pièces défectueuses et renvoyez-les nous.

10 Données techniques



10.1 Dimensions et poids

| | | |
|-----|--|----------------|
| (A) | Largeur totale | 730 mm |
| (B) | Profondeur (sans les repose-pieds) | 1010 mm |
| (C) | Hauteur (sans appuie-tête) | 1070 – 1620 mm |
| (D) | Largeur du siège | 480 mm |
| (E) | Profondeur du siège | 450 mm |
| (F) | Hauteur du siège | 500 – 1050 mm |
| (G) | Mesurez la distance entre le sol et le support pour le pot de la chaise. | 420 – 970 mm |
| (H) | Hauteur, siège à accoudoirs | 230 – 270 mm |
| (I) | Largeur entre les accoudoirs | 470 mm |
| (J) | Hauteur des accoudoirs | 730 – 1320 mm |
| (K) | Hauteur, repose-pieds au siège | 345 – 465 mm |
| (L) | Profondeur de la palette repose-pied | 155 mm |
| (M) | Largeur, évidement hygiène | 205 mm |
| (N) | Profondeur, évidement hygiène | 320 mm |
| | Réglage de la hauteur | continu |
| | Diamètre des roues | 127 mm |
| | Poids | environ 39 kg |
| | Capacité de charge | 150 kg |

10.2 Données électroniques

| | |
|---|-------------------------------|
| Tension de fonctionnement | 24 V |
| Puissance d'entrée nominale | 170 VA |
| Type de batterie | Plomb-acide |
| Temps de fonctionnement type | 40 cycles |
| Tension d'entrée du chargeur | 230 – 240 V CA, 50 – 60 Hz |
| Tension de sortie du chargeur | 24 V CC, 12 VA |
| Temps de charge à partir de l'avertissement de faible tension | environ 5 à 6 h |
| Type de protection, commande, bloc-batterie et boîtier électronique | IP X6 W ¹⁾ |
| Type de protection, chargeur | IP 40 ²⁾ |
| Type de protection, produit entier | IP X6 W ¹⁾ |
| Niveau sonore | 52 dB(A) |

¹⁾ Protégé contre la pénétration d'eau en cas de jets d'eau puissants, testé dans les conditions météorologiques stipulées.

²⁾ Protégé contre les corps étrangers solides mesurant 1,0 mm ou plus, non protégé contre la pénétration d'eau.

10.3 Matériel

| | |
|------------------|--|
| Châssis | Acier inoxydable, poudré |
| Plaque de siège | Polypropylène |
| Toile de dossier | Nylon, enduit PVC |
| Repose-pieds | Polypropylène, renforcement fibre de verre |
| Accoudoirs | Polypropylène |
| Roues | Plastiques et acier inoxydable |

Tous les composants du produit sont résistants à la corrosion et exempts de latex.

| | | | | | |
|----------|--|-----------|-----------|---|-----------|
| I | Informazioni generali | 63 | 5 | Funzionamento | 73 |
| 1.1 | Informazioni generali | 63 | 5.1 | Informazioni di sicurezza | 73 |
| 1.2 | Simboli in questo manuale d'uso | 63 | 5.2 | Rotazione dei braccioli | 74 |
| 1.3 | Garanzia | 63 | 5.3 | Rotazione dei poggiatesta | 74 |
| 1.4 | Norme e regolamenti | 63 | 5.4 | Controllo | 74 |
| 1.5 | Uso previsto | 63 | 5.5 | Innesto del dispositivo di blocco direzionale | 75 |
| 1.6 | Durata del prodotto | 64 | 6 | Trasporto | 76 |
| 2 | Sicurezza | 64 | 6.1 | Informazioni di sicurezza | 76 |
| 2.1 | Informazioni di sicurezza | 64 | 7 | Manutenzione | 76 |
| 2.2 | Informazioni di sicurezza sulla compatibilità elettromagnetica | 64 | 7.1 | Manutenzione e assistenza | 76 |
| 3 | Descrizione | 64 | 7.2 | Pulizia e disinfezione | 76 |
| 3.1 | Componenti | 64 | 7.3 | Prestazioni costanti del gruppo batterie | 77 |
| 3.2 | Etichetta modello | 65 | 7.4 | Sostituzione delle ruote | 77 |
| 4 | Montaggio e installazione | 65 | 7.5 | Sostituzione degli azionamenti | 77 |
| 4.1 | Informazioni di sicurezza | 65 | 8 | Dopo l'uso | 78 |
| 4.2 | Montaggio del telaio del sedile | 65 | 8.1 | Conservazione | 78 |
| 4.3 | Montaggio del poggiatesta | 66 | 8.2 | Riutilizzo | 78 |
| 4.4 | Posizionamento della cintura toracica | 67 | 8.3 | Smaltimento | 78 |
| 4.5 | Montaggio della piastra del sedile | 68 | 9 | Risoluzione dei problemi | 79 |
| 4.6 | Regolazione del rivestimento dello schienale | 68 | 9.1 | Identificazione e riparazione dei guasti | 79 |
| 4.7 | Impostazione dell'altezza dei braccioli | 69 | 10 | Dati tecnici | 81 |
| 4.8 | Montaggio dei poggiatesta | 70 | 10.1 | Dimensioni e peso | 81 |
| 4.9 | Rimontaggio della copertura dei componenti elettronici | 70 | 10.2 | Dati elettronici | 81 |
| 4.10 | Rimozione del gruppo batterie | 72 | 10.3 | Materiali | 82 |
| 4.11 | Carica della batteria | 72 | | | |

I Informazioni generali

I.1 Informazioni generali

Questo manuale contiene informazioni e note sull'uso corretto e sicuro del rialzo per doccia e WC.

Leggere attentamente il presente manuale d'uso prima di utilizzare il prodotto. Tener conto di tutte le note, in particolare le informazioni di sicurezza e agire di conseguenza.

Le indicazioni di posizione (A, B, C, ecc.) nelle istruzioni d'uso fanno sempre riferimento alla figura precedente.

I.2 Simboli in questo manuale d'uso

Questo manuale d'uso contiene simboli di avvertimento per indicare eventuali pericoli. Tali simboli sono accompagnati da un'intestazione che indica la gravità del pericolo.



ATTENZIONE

Indica una situazione pericolosa che, se non evitata, potrebbe causare la morte o gravi lesioni.



AVVERTENZA

Indica una situazione pericolosa che, se non evitata, potrebbe causare lesioni di lieve entità.



IMPORTANTE

Indica una situazione pericolosa che, se non evitata, potrebbe causare danni.



Indica consigli utili, raccomandazioni e informazioni per un uso efficace e senza inconvenienti.



Questo prodotto è conforme alla direttiva 93/42/CEE riguardante i dispositivi medici. La data di lancio di questo prodotto è indicata nella dichiarazione di conformità CE.



Fabbricante

I.3 Garanzia

Offriamo una garanzia del produttore per il prodotto in conformità ai termini e alle condizioni generali di vendita in vigore nei rispettivi paesi. La garanzia può essere fatta valere solo attraverso il fornitore presso il quale è stato acquistato il prodotto.

I.4 Norme e regolamenti

La qualità è di fondamentale importanza per la nostra azienda e tutti i processi sono basati sulle norme ISO 9001 e ISO 13485.

Il prodotto è dotato di marchio CE, in conformità con la Direttiva 93/42/CEE concernente i dispositivi medici della classe I.

Il prodotto soddisfa i requisiti di queste norme, DIN EN 12182 (prodotti Assistive per persone disabili) e DIN EN 60601-1 (sicurezza elettrica) e DIN EN 60601-1-2 (compatibilità elettromagnetica).

Invacare® lavora costantemente per garantire che l'impatto ambientale dell'azienda a livello locale e globale sia ridotto al minimo. Rispettiamo le normative ambientali in vigore (ad es. le direttive RAEE e RoHS). Garantiamo di utilizzare esclusivamente materiali e componenti conformi alla direttiva REACH.

In caso servissero ulteriori informazioni, contattare la filiale Invacare® competente nel paese in questione (gli indirizzi di contatto sono riportati sul retro del presente manuale d'uso).

I.5 Uso previsto

Il rialzo per doccia e WC è concepito esclusivamente come ausilio per la doccia, per l'utilizzo del WC o per lo spostamento dei pazienti in ambienti al coperto. Il prodotto non deve essere utilizzato per nessun altro scopo.



ATTENZIONE Pericolo di lesioni

- Non salire mai in piedi sul prodotto per entrare o uscire dalla vasca da bagno, non usarlo per salire o scendere, come supporto né per nessun altro scopo simile.
- Non adatto per l'utilizzo all'aperto.

È possibile utilizzare il prodotto come rialzo per WC posizionandolo su un WC standard o combinandolo con una padella (opzionale).

Temperatura di esercizio: 5 - 40 °C

1.6 Durata del prodotto

Se il prodotto viene utilizzato per l'impiego previsto e in modo conforme alle normative sulla sicurezza, la durata prevista del prodotto è di 5 anni. Tuttavia, la durata effettiva può variare a seconda della frequenza e dell'intensità di utilizzo.

2 Sicurezza

2.1 Informazioni di sicurezza



ATTENZIONE Pericolo di lesioni

- ▶ Non utilizzare un prodotto difettoso.
- ▶ In caso di malfunzionamento, contattare immediatamente il rivenditore.
- ▶ Non apportare al prodotto modifiche o alterazioni non autorizzate.
- ▶ Utilizzare solo gli accessori intesi per questo prodotto.

2.2 Informazioni di sicurezza sulla compatibilità elettromagnetica

Questo prodotto è stato testato con successo secondo le norme internazionali per la sua compatibilità elettromagnetica. Tuttavia, i campi elettromagnetici come quelli generati da trasmettitori radio e televisivi, apparecchiature radio e telefoni cellulari possono influenzare il funzionamento dei prodotti con azionamenti elettrici. I componenti elettronici utilizzati in questo prodotto possono anche causare lievi interferenze elettro-magnetiche, ma senza superare i limiti di legge. Si devono pertanto rispettare le seguenti istruzioni:



AVVERTENZA Interferenze elettromagnetiche

Le interferenze elettromagnetiche possono causare il malfunzionamento di Ocean E-VIP o interferire con altri dispositivi.

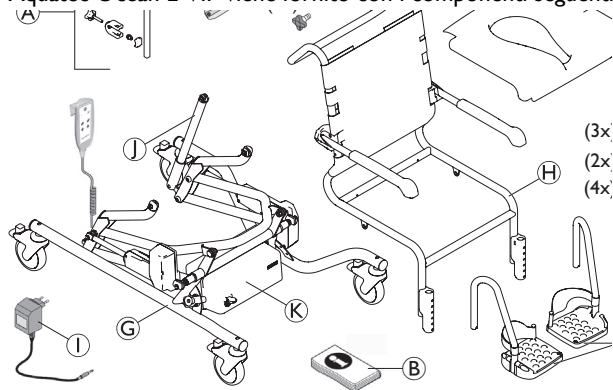
- ▶ Se si riscontra tale comportamento, spegnere il dispositivo esterno e/o Ocean E-VIP.
- ▶ Se altri prodotti medicali ad azionamento elettrico causano interferenze o producono loro stessi dei disturbi, spegnere Ocean E-VIP e rivolgersi al proprio rivenditore.

Per ulteriori informazioni sulle proprietà elettromagnetiche del prodotto, consultare la Sezione 10.4, Linee guida e dichiarazione del produttore.

3 Descrizione

3.1 Componenti

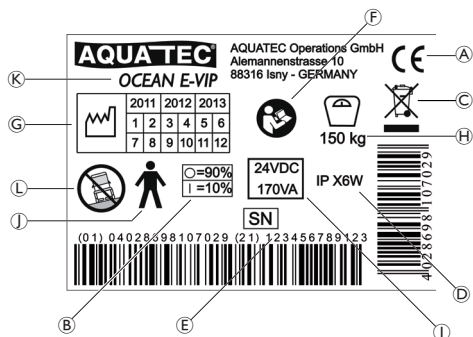
Aquatec Ocean E-VIP viene fornito con i componenti seguenti:



| | |
|-----|---|
| (A) | Poggiatesta |
| (B) | Manuale d'uso |
| (C) | Cintura toracica |
| (D) | Piastra del sedile |
| (E) | Bullone (4 x), fermacavi di sicurezza (4 x), morsetti per poggiatesta (2 x), fascetta serracavo (1 x) confezionati in una busta |
| (F) | Poggiatesta con cinturino per caviglie (2 x) |
| (G) | Telaio con pulsantiera e centralina con gruppo batterie + azionamenti |
| (H) | Telaio del sedile con rivestimento dello schienale e braccioli |
| (I) | Caricabatteria |
| (J) | Azionamento inclinazione |
| (K) | Copertura componenti elettronici |

3.2 Etichetta modello

L'etichetta modello riporta anche informazioni importanti:



| | |
|-----|---|
| (A) | Contrassegno di conformità |
| (B) | Ciclo operativo (massimo 10%, massimo 2 min/18 min) |
| (C) | Nota (smaltimento) |
| (D) | Tipo di protezione |
| (E) | Numero di serie del dispositivo |
| (F) | Nota (rispettare i documenti in dotazione) |
| (G) | Tempo previsto di produzione |
| (H) | Portata |
| (I) | Tensione nominale/potenza nominale |
| (J) | Parte applicata di tipo B |
| (K) | Nome del modello |
| (L) | Nota (idoneo solo per l'impiego su superfici piane) |



L'etichetta modello è applicata sul tubo sinistro posteriore.

4 Montaggio e installazione

4.1 Informazioni di sicurezza



IMPORTANTE

- Prima della messa in servizio controllare che le parti non presentino danni dovuti al trasporto e, se necessario, contattare il rivenditore.
- Assicurarsi che durante il montaggio le parti siano posizionate correttamente l'una rispetto all'altra.

In questa sezione viene spiegato come montare il prodotto. Lo smontaggio del prodotto avviene nell'ordine inverso.

4.2 Montaggio del telaio del sedile

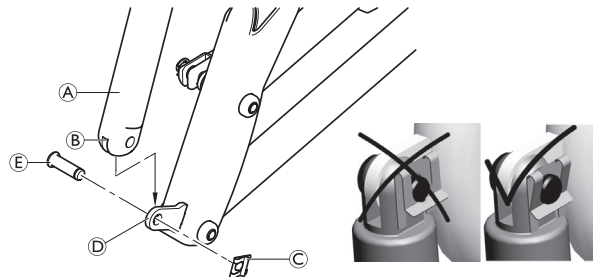


ATTENZIONE

Pericolo di fuoriuscita dei bulloni.

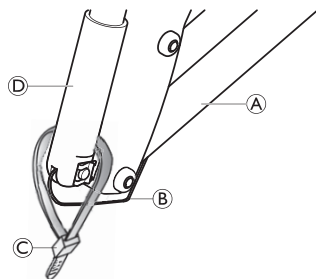
- Assicurarsi che i fermacavi di sicurezza siano agganciati e montati correttamente (vedere lo schema di seguito).

1. Fissare tutte le ruote con le levette rosse. Per fare ciò, premere verso il basso la levetta rossa presente sulle ruote.



2. Rimuovere l'azionamento per l'inclinazione del sedile (A) dal telaio. A tale scopo, tagliare in corrispondenza della fascetta serracavo.
3. Premere la forcella (B) nell'estremità inferiore dell'azionamento (A) sul bordo (D) in corrispondenza del bordo posteriore del telaio e allineare i fori.

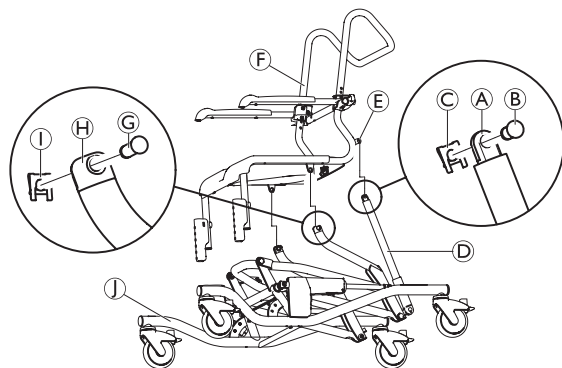
- Inserire il bullone ⑤ (35 mm) nei fori dall'esterno e spingerlo completamente all'interno.
- Fissare un fermacavo di sicurezza ③ sul lato interno.



- Inserire il cavo ② dell'azionamento ④ il più possibile nel telaio ①.
- Utilizzare la fascetta serracavo ③ fornita per fissare il cavo dell'azionamento in questa posizione.

! IMPORTANTE

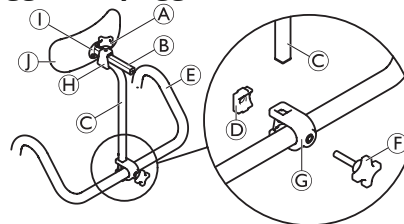
I braccioli sono rivolti in avanti se ripiegati.



- Inserire entrambi i lati del telaio del sedile ⑥ nei ricettacoli ④ sul telaio ①.

- Inserire i due bulloni da 35 mm ⑥ nei ricevitori ④ dall'esterno, inserire completamente e fissare i fermacavi di sicurezza ③ sul lato interno.
- Inclinare il telaio del sedile finché i fori nella staffa ⑤ sul telaio del sedile e nella forcella ① sull'azionamento di inclinazione del sedile ④ non sono allineati.
- Inserire il bullone da 23 mm ② nei fori dall'esterno e fissare il fermacavo di sicurezza ③ sul lato interno.

4.3 Montaggio del poggiatesta



! IMPORTANTE

La barra di ritenuta ③ può essere montata con la curva nella parte anteriore o posteriore, in base alle esigenze dell'utilizzatore.

Il cuscino del poggiatesta ① può essere rimosso e sostituito con altre forme di cuscino (opzionale).

► Per rimuovere il cuscino, svitare le viti di montaggio ①.

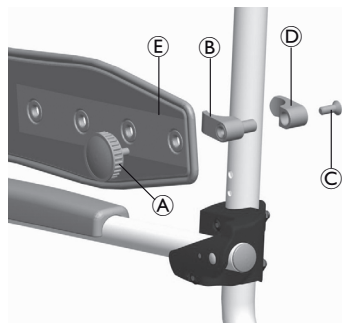
- Ruotare leggermente la vite con la manopola ⑥ nel tubo tensore ④.
- Fissare il tubo tensore con la vite all'impugnatura dello schienale ⑤ dal retro in modo che la vite entri nel foro sull'impugnatura dello schienale.
- Inserire la piastra ④ nel tubo tensore dalla parte anteriore in modo che i due bordi della piastra siano rivolti verso l'alto e verso il basso e il lato curvo della piastra entri in contatto con l'impugnatura dello schienale.

! IMPORTANTE

Quando si inserisce il supporto, la curva della piastra deve essere alla stessa altezza dell'impugnatura dello schienale.

4. Inserire la barra di ritenuta © dall'alto negli incavi del tubo tensore.
5. Serrare la vite con la manopola ⑥ finché la barra di ritenuta non è bloccata.
6. Inserire il cuscino ① insieme al relativo supporto ② nella staffa ④ sulla barra di ritenuta.
7. Serrare la vite superiore con la manopola ⑤ finché il supporto del cuscino non è bloccato.

4.4 Posizionamento della cintura toracica



! IMPORTANTE

- Fissare entrambe le staffe di montaggio alla stessa altezza.
 - L'installazione delle staffe di montaggio sinistra e destra è invertita lateralmente.
1. Aprire la fibbia della cintura sul rivestimento dello schienale all'altezza in cui deve essere fissata la cintura toracica.
 2. Far passare questa cintura all'interno del telaio dello schienale e richiudere.
 3. Posizionare la sezione interna ④ della staffa di montaggio (senza bullone con filettatura interna) intorno al telaio dello schienale, in modo che il foro sia rivolto all'indietro.
 4. Posizionare la sezione esterna ② della staffa di montaggio con il bullone con filettatura interna nel foro della sezione interna.
 5. Fissare le due parti della staffa di montaggio nella posizione richiesta con la vite © sul telaio dello schienale.

6. Fissare la cintura toracica ⑤ con la vite mediante la manopola ⑥ alle staffe di montaggio.

Regolazione della posizione della cintura toracica

! IMPORTANTE

- Regolare la posizione della cintura toracica secondo le esigenze dell'utilizzatore.
- Regolare la posizione delle due staffe di montaggio in egual misura su entrambi i lati.
- La posizione delle staffe di montaggio destra e sinistra viene regolata allo stesso modo.

1. Sul rivestimento dello schienale, aprire la fibbia della cintura che è stata fatta passare all'interno del telaio dello schienale all'altezza in cui è fissata la cintura toracica.
 2. Aprire la fibbia della cintura sul rivestimento dello schienale all'altezza in cui deve essere fissata la cintura toracica.
 3. Far passare questa cintura all'interno del telaio dello schienale e richiudere.
 4. Svitare la vite con la manopola ⑥.
 5. Rimuovere la cintura toracica ⑤.
 6. Rimuovere le due parti della staffa di montaggio ② e ④, quindi spostarle nella posizione richiesta.
 7. Posizionare la parte interna della staffa di montaggio ④ intorno al telaio dello schienale.
 8. Posizionare la sezione esterna della staffa di montaggio ② sul bullone con filettatura interna © della sezione interna.
 9. Utilizzare la vite con la manopola per avvitare la cintura toracica nella staffa di montaggio.
 10. Far passare la cintura aperta del rivestimento dello schienale sulla parte esterna del telaio dello schienale e richiuderla.
11. Stringere tutte le cinture.

Regolazione della lunghezza della cintura toracica

! IMPORTANTE

- Regolare la lunghezza della cintura toracica secondo le esigenze dell'utilizzatore.

La lunghezza della cintura toracica viene regolata mediante la fibbia situata su di essa. Se l'intervallo di regolazione della fibbia non è sufficiente, regolare la lunghezza sulle staffe di montaggio nel modo seguente:

1. Svitare la vite con la manopola (A).
2. Scegliere la lunghezza della cintura toracica (E).
3. Utilizzare la vite con la manopola per avvitare la cintura toracica nella staffa di montaggio.

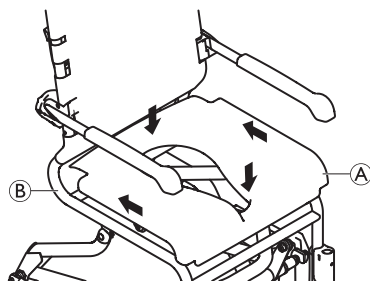
4.5 Montaggio della piastra del sedile

Attacco:



AVVERTENZA Pericolo di pizzicamento delle dita

- Non mettere le dita tra la superficie del sedile e il telaio del sedile quando la piastra del sedile viene premuta verso il basso.

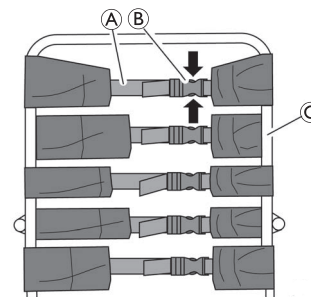


1. Posizionare la piastra del sedile (A) sul telaio del sedile (B) con la sagomatura rivolta in avanti.
2. Far scorrere la piastra del sedile all'indietro fino in fondo.
3. Con il palmo della mano, premere verso il basso sui lati e nelle parti anteriore e posteriore della piastra del sedile fino a farla scattare nel telaio del sedile.

Rimozione:

1. Sollevare la piastra del sedile da entrambi i lati.

4.6 Regolazione del rivestimento dello schienale



IMPORTANTE

- Per collegare gli accessori o la cintura toracica, aprire la fibbia della seconda cintura dall'alto e far passare il rivestimento dello schienale all'interno del telaio dello schienale (C) in quel punto.
- Almeno tre cinture devono sempre girare intorno alla parte esterna del telaio dello schienale e le relative fibbie devono essere chiuse.

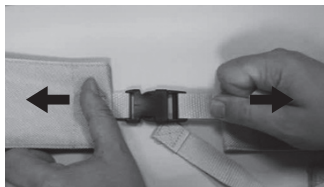
È possibile regolare il tensionamento dello schienale in base alle proprie preferenze.

Tensionamento

1. Stringere le cinture (A) sul rivestimento dello schienale.

Allentamento

1. Aprire le fibbie delle cinture (B) premendo i manici di ritenuta tra di loro (freccie).
2. Spingere leggermente le cinture all'indietro nella fibbia.
3. Chiudere le fibbie.
4. Stringere leggermente le cinture.

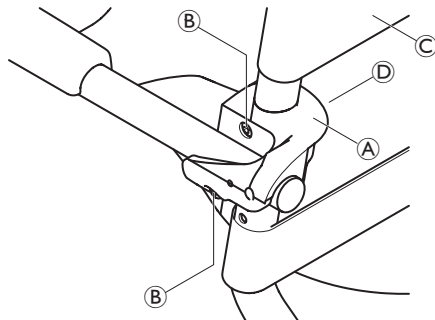


ATTENZIONE Pericolo di lesioni dovute a fibbie dello schienale danneggiate!

Verificare che le fibbie dello schienale siano saldamente fissate ogni volta che il prodotto viene sottoposto a manutenzione.

- Controllare che tutti i fermi delle fibbie siano fissati in modo sicuro chiudendo le fibbie e tirando da entrambe le estremità.
- Sostituire lo schienale o le fibbie dello schienale se una fibbia si apre quando è sottoposta alla forza applicata.

4.7 Impostazione dell'altezza dei braccioli



IMPORTANTE

- Regolare l'altezza dei braccioli secondo le esigenze dell'utilizzatore.
- Regolare l'altezza dei braccioli allo stesso livello su entrambi i lati.
- L'altezza del bracciolo sinistro viene regolata allo stesso modo.

1. Sul rivestimento dello schienale, aprire la fibbia della cintura che è stata fatta passare all'interno del telaio dello schienale.
2. Sul rivestimento dello schienale, aprire la fibbia della cintura © che si trova sopra il bracciolo.
3. Far passare questa cintura all'interno del telaio dello schienale e richiuderla.



I dadi sono inseriti nel morsetto di fissaggio senza essere serrati, pertanto possono cadere.

4. Svitare le viti (B) della staffa del bracciolo (A) mediante la chiave a brugola in dotazione.
5. Togliere il morsetto di fissaggio (D) con i dadi dall'interno del telaio dello schienale.
6. Togliere la staffa del bracciolo (A) insieme al bracciolo e spostarla verso l'alto.



Il foro più piccolo è fornito per fissare il morsetto di fissaggio.

7. Inserire le viti nella staffa del bracciolo e guidarle attraverso i fori nel telaio dello schienale.
8. Se necessario, reinserire i dadi nel morsetto di fissaggio.
9. Posizionare il morsetto di fissaggio sul telaio dello schienale in modo che il morsetto di fissaggio entri nel foro più piccolo.
10. Girare le viti nei dadi e serrare.
11. Far passare la cintura aperta del rivestimento dello schienale dall'esterno del telaio dello schienale, chiuderla e stringere tutte le cinture.

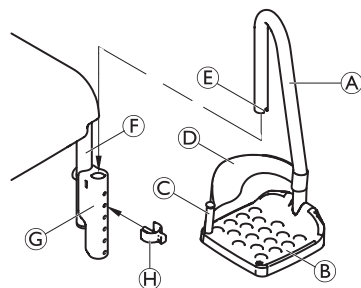
! IMPORTANTE

- I braccioli sono regolati nella posizione inferiore nello stesso modo.
- Durante la regolazione nella posizione abbassata, la cintura sotto il bracciolo deve essere agganciata e fatta passare all'interno del telaio dello schienale.

4.8 Montaggio dei poggiatesta

! IMPORTANTE

- I poggiatesta destro e sinistro sono entrambi installati nello stesso modo.



1. Far scorrere il poggiatesta (A) con la pedana (B) verso l'interno nella guida (C) sul telaio del sedile (F) finché la scanalatura (E) non si innesta nel perno del morsetto (H). Il poggiatesta non deve più essere girato lateralmente.

Impostazione dell'altezza del poggiatesta

1. Tirare leggermente il poggiatesta (A) verso l'alto.
2. Estrarre il morsetto (H) e reinserirlo nella posizione desiderata. Per eseguire questa operazione, può essere necessario estrarre ulteriormente il poggiatesta.
3. Premere il poggiatesta verso il basso affinché la scanalatura (E) non si innesti nel morsetto.

4. Regolare il secondo poggiatesta all'altezza desiderata in base alle proprie esigenze.

Rimozione/collegamento dei cinturini per caviglie

1. Aprire il dispositivo di fissaggio in Velcro® sul cinturino per caviglie (D).
 2. Togliere la vite (C) dalla parte inferiore della pedana.
 3. Togliere la vite e il perno flessibile con il cinturino per caviglie.
- Il collegamento del cinturino per caviglie avviene nella sequenza inversa.

! IMPORTANTE

- Quando si installa un poggiatesta, assicurarsi che il dispositivo di fissaggio in Velcro® del cinturino per caviglie sia rivolto all'indietro.

Regolazione del cinturino per caviglie

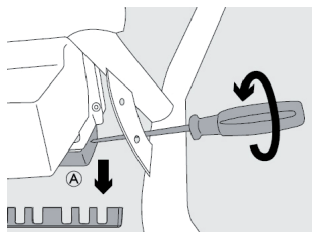
! IMPORTANTE

- Assicurarsi che il dispositivo di fissaggio in Velcro® del cinturino per caviglie sia rivolto all'indietro.

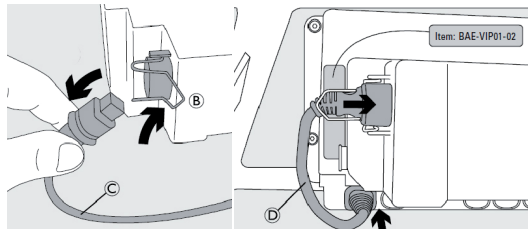
1. Aprire il dispositivo di fissaggio in Velcro® sul cinturino per caviglie (D).
2. Regolare il cinturino per caviglie all'altezza desiderata.
3. Chiudere nuovamente il dispositivo di fissaggio in Velcro®.

4.9 Rimontaggio della copertura dei componenti elettronici

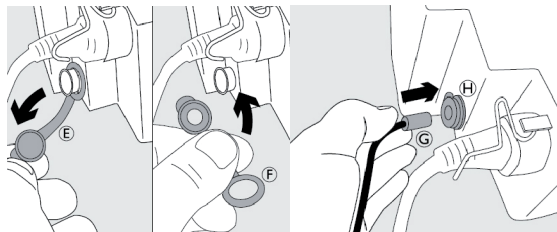
1. Ruotare entrambi i poggiatesta verso l'esterno o rimuoverli.
2. Utilizzare la pulsantiera per portare il rialzo per doccia e WC nella posizione più elevata, vedere la Sezione 5.4, Controllo, sollevamento.



3. Rimuovere la morsettiera (A).



4. Piegare la barra di sicurezza (A) in avanti.
5. Rimuovere il cavo del connettore lungo (B) (180 mm) tra il gruppo batterie e la scatola componenti elettronici.
6. Collegare il cavo del connettore breve (C) (110 mm).
7. Ripiegare la barra di sicurezza.
8. Ricollegare la morsettiera.

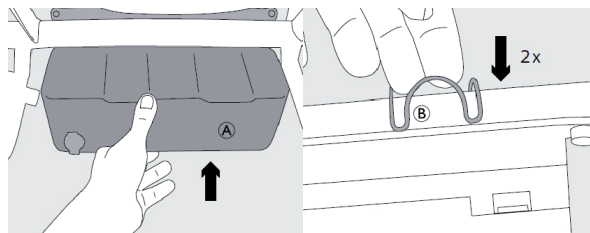


9. Scambiare la spina blu (A) della presa di carica con la spina con il foro (B).
10. Inserire il connettore (C) sulla copertura dei componenti elettronici nella presa di carica (D) del gruppo batterie.

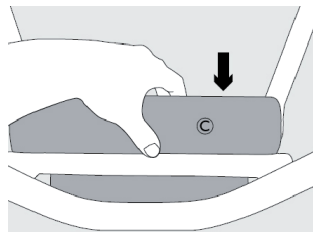


IMPORTANTE

▸ Assicurarsi che il connettore sia posizionato correttamente.



11. Fissare la sezione anteriore (A) alla copertura dei componenti elettronici e fissarla sul tubo con i fermacavi di sicurezza (B).

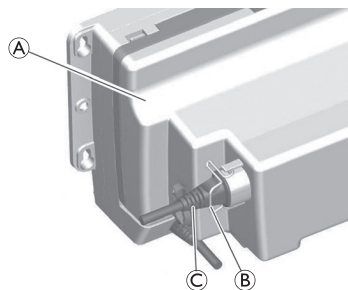


12. Fissare la parte posteriore della copertura dei componenti elettronici (A) dall'alto.

Rimozione:

La rimozione della copertura dei componenti elettronici avviene nell'ordine inverso.

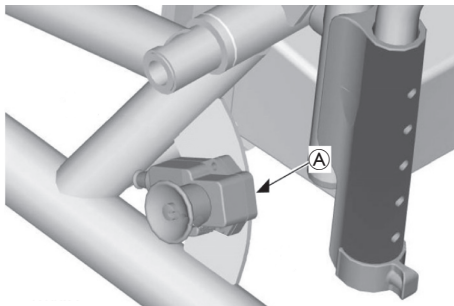
4.10 Rimozione del gruppo batterie



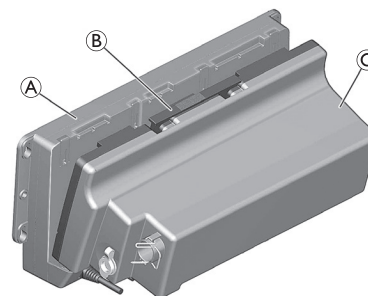
1. Rimuovere la copertura dei componenti elettronici, vedere la Sezione 4.9, Montaggio/rimozione della copertura dei componenti elettronici.

! IMPORTANTE

- ▶ Assicurarsi che il connettore tra la copertura dei componenti elettronici e il gruppo batterie sia scollegato.
2. Estrarre dalle guide i poggipiedi tirando verso l'alto e collocarli su un lato.
 3. Piegare la barra di sicurezza B in avanti e rimuovere il connettore C dal gruppo batterie A.



4. Inserire il cavo del connettore nel porta cavi A.



5. Con l'ausilio di una mano spingere indietro la linguetta di sblocco B sulla parte superiore del gruppo batterie C.
6. Con l'altra mano, sollevare il gruppo batterie di circa 5 mm ed estrarlo di circa 10 mm.
7. Rimuovere il gruppo batterie dalla centralina A con un movimento di rotazione e inclinazione.

4.11 Carica della batteria

Il prodotto non può essere usato durante la carica della batteria.

La batteria può essere caricata con la copertura dei componenti elettronici in posizione o rimossa e quando il gruppo batterie viene rimosso.



ATTENZIONE

- ▶ Non gettare mai il gruppo batterie nel fuoco né conservarlo in prossimità di fiamme libere.
- ▶ Non aprire il gruppo batterie, poiché la sua apertura rende nulla la garanzia.
- ▶ Collegare il caricabatteria alla corrente solo quando il gruppo batterie è collegato al caricabatteria.



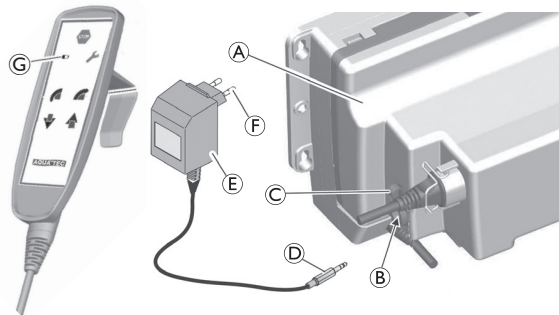
AVVERTENZA Rischio di scosse elettriche!

- ▶ Ricaricare la batteria solo in ambienti asciutti e mai in bagno.
- ▶ Con la copertura dei componenti elettronici rimossa dopo la carica, isolare la presa sul gruppo batterie con il cappuccio antipolvere.



IMPORTANTE

- ▶ Utilizzare solo il caricabatteria in dotazione (Aquatec® Ocean E-VIP) per caricare la batteria nel gruppo batterie.
- ▶ Assicurarsi che le specifiche di tensione indicate sul caricabatteria corrispondano a quelle della rete elettrica.
- ▶ Seguire le istruzioni riportate nella Sezione 7.3 su come prolungare la durata della batteria quando non viene utilizzata per lunghi periodi di tempo.



1. Rimuovere il cappuccio © dalla presa ʘ sul gruppo batterie ʘ.



IMPORTANTE

Quando la copertura dei componenti elettronici è in posizione, la presa di carica si trova nella parte anteriore (non lateralmente).

2. Inserire completamente il connettore ʘ del caricabatteria ʘ nella presa ʘ sul gruppo batterie.
3. Inserire la spina di alimentazione ʘ del caricabatteria in una presa di corrente omologata.

La ricarica richiede circa 5 ore. La spia gialla ʘ sulla pulsantiera si illumina. Dopodiché, una carica di compensazione (carica a impulsi) viene applicata per circa 3 ore. La spia verde sulla pulsantiera si illumina. Il controller del caricabatteria termina il processo di ricarica dopo 8 ore. La spia sulla pulsantiera si spegne per impedire che la batteria si sovraccarichi.

4. Scollegare il caricabatteria dalla presa di corrente.
5. Scollegare il connettore del caricabatteria dalla presa sul gruppo batterie.
6. Richiudere la presa con il cappuccio anti-polvere.

5 Funzionamento

5.1 Informazioni di sicurezza



ATTENZIONE

- ▶ Utilizzare il rialzo per doccia e WC solo su una superficie piana e al coperto.
- ▶ Tenere presente le specifiche presenti sull'etichetta di identificazione. Non collocare pesi eccessivi sul rialzo per doccia e WC.
- ▶ Prima di ogni utilizzo controllare sempre visivamente che il prodotto non presenti danni esterni.
- ▶ Non utilizzare un prodotto difettoso.
- ▶ Ricaricare completamente la batteria prima di ogni utilizzo.
- ▶ Utilizzare sempre la cintura toracica durante il trasporto di una persona.



ATTENZIONE Rischio di scivolamento e ribaltamento

- ▶ Prima dell'utilizzo, assicurarsi che il sedile sia fissato saldamente al relativo telaio.
- ▶ Bloccare tutte e quattro le ruote con le levette rosse prima di sedersi o di alzarsi dal rialzo, anche quando in posizione di stazionamento.

**ATTENZIONE** Pericolo di ribaltamento

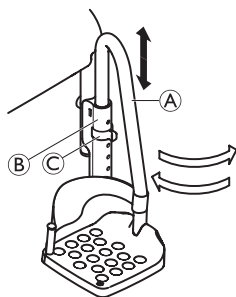
- Ruotare lateralmente i poggiatesta prima di sedersi o di alzarsi o prima di piegare le pedane verso l'alto.
- Prima di sedersi o di alzarsi, ruotare le ruote anteriori in modo che il freno si trovi davanti.
- Non salire sui poggiatesta.
- Non rimuovere gli azionamenti del mandrino.

**IMPORTANTE** Pericolo di rottura del poggiatesta

Sterzare o spingere il rialzo per doccia e WC esclusivamente utilizzando l'impugnatura sullo schienale, mai con il poggiatesta.

5.2 Rotazione dei braccioli**AVVERTENZA** Pericolo schiacciamento dita nel meccanismo di ripiegamento

- Non inserire le dita nelle giunture articolate quando si piegano braccioli verso l'alto o verso il basso.
- Assicurarsi che nessuna parte venga schiacciata.
- Non inserire le dita tra il bracciolo e lo schienale quando si piegano i braccioli.

5.3 Rotazione dei poggiatesta**Posizione di montaggio/smontaggio:**

1. Estrarre il poggiatesta (A) nella guida (B) leggermente verso l'alto, finché la scanalatura non è più innestata nel perno del morsetto (C).

2. Ruotare il poggiatesta lateralmente.

Posizione di guida:**AVVERTENZA** Pericolo di incidenti a causa del poggiatesta allentato.

- Fissare i poggiatesta nella posizione di guida.

1. Girare il poggiatesta (A) verso l'interno.
2. Premere il poggiatesta verso il basso affinché la scanalatura si innesti nel perno del morsetto (C).

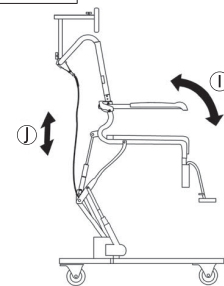
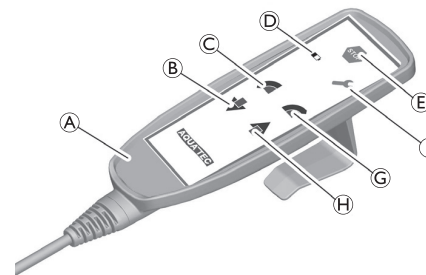
5.4 Controllo

Il prodotto è controllato tramite la pulsantiera.

Il dispositivo si arresterà immediatamente nella posizione corrente non appena gli appositi pulsanti vengono rilasciati.

Per motivi di sicurezza, gli azionamenti presentano intervalli di blocco specifici:

| Altezza del sedile | Inclinazione del sedile |
|--------------------|---|
| da 500 a 600 mm | fino a 5° in avanti fino a 35° indietro |
| oltre 600 mm | nessun movimento in avanti fino a 35° indietro |



! IMPORTANTE

Se la batteria nel gruppo batterie non è sufficientemente carica, la spia gialla ④ sulla pulsantiera ① si illumina e viene emesso un segnale acustico durante il movimento. Quando la spia si illumina, è possibile eseguire solo altri cinque cicli di movimento. Dopodiché, la funzione di sollevamento del dispositivo è disabilitata. Tuttavia, è possibile continuare ad abbassare il dispositivo.

► Ricaricare la batteria subito dopo aver abbassato il dispositivo.



AVVERTENZA Pericolo di pizzicamento delle dita

► Non posizionare le dita tra il telaio del sedile e il telaio tubolare anteriore del telaio durante l'inclinazione o l'abbassamento del sedile.

! IMPORTANTE

Se il telaio del sedile viene inclinato in avanti, l'altezza del sedile può essere regolata a un massimo di 600 mm.

Se l'altezza del sedile è impostata su un valore superiore a 600 mm, il telaio del sedile non può più essere inclinato in avanti.

Inclinazione del telaio del sedile e dello schienale

Il telaio del sedile può essere inclinato indietro di circa 35° e in avanti di circa 5°.

I. Premere il pulsante indietro ⑥ o il pulsante avanti ③ sulla pulsantiera.

Il telaio del sedile può essere inclinato indietro o in avanti ①.

Sollevamento

I. Premere il pulsante Su ② della pulsantiera.

Il telaio del sedile si sposta verso l'alto (①).

Abbassamento

I. Premere il pulsante Giù ④ della pulsantiera.

Il telaio del sedile si sposta verso il basso (①).

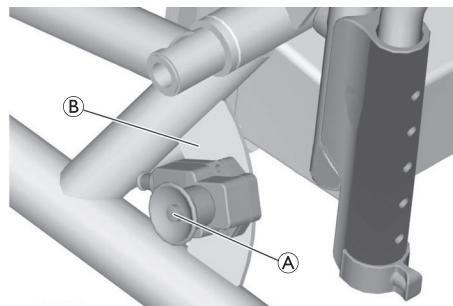
Arresto di emergenza

! IMPORTANTE

Premere il pulsante di arresto ⑤ sulla pulsantiera solo se il dispositivo non si ferma immediatamente quando viene rilasciato un pulsante (ad esempio se un pulsante si blocca). Il dispositivo smetterà di muoversi immediatamente.

Meccanismo di abbassamento di emergenza

Se non è più possibile abbassarlo ulteriormente utilizzando la pulsantiera, il telaio del sedile può essere abbassato utilizzando il meccanismo di abbassamento di emergenza.



1. Premere il pulsante ① sul lato destro del telaio ②.

! IMPORTANTE

► Se il telaio del sedile è stato abbassato utilizzando il meccanismo di abbassamento di emergenza, far controllare il rialzo per doccia e WC da un rivenditore autorizzato.

5.5 Innesto del dispositivo di blocco direzionale

! IMPORTANTE

► Bloccare il dispositivo di blocco direzionale sulla ruota con la levetta blu. La ruota è bloccata e si muoverà solo in linea retta. Il dispositivo di blocco direzionale si innesta solo quando la ruota è nella posizione dritta.

6 Trasporto

6.1 Informazioni di sicurezza



Il prodotto può essere smontato per il trasporto in tutti i suoi componenti (Sezione 3.1 Componenti).

▸ Per informazioni su come smontare il prodotto, vedere la Sezione 4 "Montaggio e installazione".



IMPORTANTE Pericolo di danneggiamento

- Trasportare il prodotto in un luogo asciutto a una temperatura compresa tra 0 °C e 40 °C, una pressione atmosferica compresa tra 795 e 1060 hPa e un'umidità dal 30 al 75%.
- Non esporre il prodotto alla luce diretta del sole.

7 Manutenzione

7.1 Manutenzione e assistenza

L'osservanza delle note per la pulizia e la sicurezza rende il prodotto esente da manutenzione.

Il prodotto richiede controlli di sicurezza a intervalli regolari.



ATTENZIONE

▸ Non eseguire riparazioni o altri lavori non autorizzati su mandrini e componenti elettrici. Se un mandrino è danneggiato o difettoso, contattare subito il rivenditore.

1. Controllare regolarmente che il prodotto non sia danneggiato e assicurarsi che sia ben assemblato.
2. In caso di danni e/o necessità di riparazioni, contattare immediatamente il rivenditore.
3. Il prodotto deve essere controllato da un rivenditore autorizzato prima di ogni riutilizzo o al più tardi dopo 24 mesi (vedere le raccomandazioni del produttore per la rigenerazione dei prodotti associazione industriale SPECTARIS).

7.2 Pulizia e disinfezione

Il prodotto può essere pulito e disinfettato con prodotti disponibili in commercio.



IMPORTANTE

In bagno, l'igiene è particolarmente importante.

▸ Tenere il prodotto pulito lavandolo regolarmente.

1. Disinfettare il prodotto strofinando tutte le superfici generalmente accessibili con un disinfettante (se possibile dopo aver smontato il prodotto).



IMPORTANTE

Tutti i prodotti detergenti e disinfettanti utilizzati devono essere efficaci, compatibili tra loro e devono proteggere i materiali per cui vengono impiegati nella pulizia.

- Per quanto riguarda il tempo di contatto e la concentrazione, consultare l'elenco dei disinfettanti rilasciato dalla Verbund für Angewandte Hygiene e.V. (www.vah-online.de – Associazione per l'igiene applicata), nonché dalla Deutsche Vereinigung zur Bekämpfung der Viruskrankheiten e.V. (www.dvv-ev.de – Associazione tedesca per la lotta contro le malattie virali).
- Pulire manualmente il prodotto.
- Non utilizzare prodotti detergenti abrasivi.

Pulizia del telaio del sedile e del telaio



AVVERTENZA Pericolo di corrente elettrica

▸ Prima di eseguire la pulizia, richiudere tutti i cappucci e fissare tutti i connettori.



IMPORTANTE Pericolo di danneggiamento

▸ Non rimuovere i porta accessori.

1. Chiudere tutti i cappucci e fissare tutti i connettori.
2. Rimuovere tutti gli accessori collegati.
3. Togliere i poggiatesta dalle guide.
4. Rimuovere la piastra del sedile e il rivestimento dello schienale.
5. Lavare le singole parti con detergenti disponibili in commercio (ad esempio, un prodotto di pulizia multiuso) e un panno o una spazzola.

6. Risciacquare con acqua calda.
7. Asciugare le parti con un panno.
8. Rimontare il rialzo per doccia e WC.



AVVERTENZA Rischio di ustione

- Lasciare raffreddare il rialzo per doccia e WC dopo la pulizia.

Pulizia in un ambiente clinico



AVVERTENZA Rischio di ustione

Dopo la pulizia in autoclave, lasciare raffreddare il prodotto.

1. Oltre alla pulizia descritta sopra, il prodotto deve essere inoltre pulito a intervalli regolari a 85°C per 3 minuti in autoclave.

Pulizia del rivestimento dello schienale

1. Togliere il rivestimento dello schienale.
2. Lavare il rivestimento in lavatrice a massimo 60 °C con detergente delicato.



IMPORTANTE Pericolo di danneggiamento

- Un lavaggio a temperature elevate può provocare restringimenti.
- Non fare asciugare i rivestimenti nell'asciugabiancheria.



IMPORTANTE

- 1. I lavaggi eccessivi possono danneggiare il tessuto.
- Si raccomanda di sostituire il rivestimento dello schienale ogni due anni.

Pulizia del caricabatteria e del gruppo batterie



AVVERTENZA Pericolo di corrente elettrica

- Scollegare sempre la spina dalla presa di alimentazione prima di pulire il caricabatteria.
- Non inserire mai oggetti in materiale conduttivo (ad esempio ferri da maglia, perni metallici) nelle prese del gruppo batterie.
- Pulire il caricabatteria esclusivamente con un panno asciutto.

1. Pulire il caricabatteria con un panno asciutto.
2. Pulire il gruppo batterie con un panno umido e asciugarlo con un panno asciutto.

7.3 Prestazioni costanti del gruppo batterie

Se il dispositivo non sarà utilizzato per un periodo di tempo prolungato, caricare completamente la batteria nel gruppo batterie (tempo di carica di circa 5 - 6 ore), quindi sollevare e abbassare 3 volte il telaio del sedile senza occupante. Ripetere questo procedimento almeno ogni 6 mesi. Questo aiuta a prolungare la durata della batteria.

7.4 Sostituzione delle ruote



ATTENZIONE Pericolo di lesioni se le ruote non sono montate correttamente.

Le ruote devono essere sostituite da un rivenditore specializzato.

7.5 Sostituzione degli azionamenti



ATTENZIONE Pericolo di lesioni se gli azionamenti non sono montati correttamente.

Gli azionamenti devono essere sostituiti da un rivenditore specializzato.

8 Dopo l'uso

8.1 Conservazione



IMPORTANTE Pericolo di danneggiamento

- Conservare il prodotto in un luogo asciutto a una temperatura compresa tra 0 °C e 40 °C, una pressione atmosferica compresa tra 795 e 1060 hPa e un'umidità dal 30 al 75%.
- Non conservare il prodotto vicino a fonti di calore.
- Non esporre il prodotto alla luce diretta del sole.

8.2 Riutilizzo

Il prodotto è adatto per essere riutilizzato. Il numero di riutilizzi dipende dalla frequenza di utilizzo e dal modo in cui è stato usato il prodotto. Prima del riutilizzo, il prodotto deve essere pulito e disinfettato, nonché controllato per assicurarsi che sia in condizioni di funzionamento corretto e sicuro. Riparare se necessario.

8.3 Smaltimento

Lo smaltimento e il riciclaggio dei prodotti e degli imballaggi usati devono essere eseguiti conformemente alle normative di legge in vigore.

Il produttore è in grado di gestire lo smaltimento del dispositivo in modo completo e corretto.

Questo prodotto contiene una batteria ricaricabile al piombo. Le vecchie batterie possono contenere sostanze pericolose che potrebbero costituire un pericolo per l'ambiente e la salute pubblica. Restituirle al rivenditore o portarle a deposito di riciclaggio di zona. Le batterie possono essere restituite gratuitamente come disposto per legge.

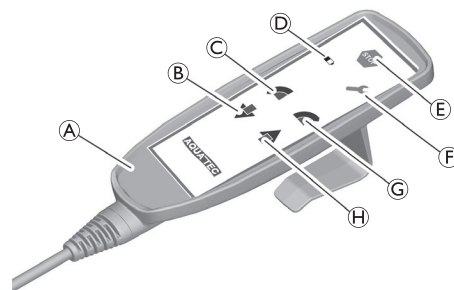
9 Risoluzione dei problemi

9.1 Identificazione e riparazione dei guasti



La tabella seguente fornisce informazioni sui malfunzionamenti e le possibili cause.

Qualora non fosse possibile correggere il malfunzionamento mediante i rimedi indicati, contattare direttamente il proprio rivenditore.



| Guasto | Cause possibili | Rimedio |
|--|--|--|
| Quando il dispositivo si muove, viene emesso un segnale acustico e la spia D sulla pulsantiera A si illumina | Batteria quasi scarica | ▸ Caricare la batteria (vedere Sezione 4.11) |
| La spia di manutenzione F sulla pulsantiera si illumina | Pulsantiera difettosa | ▸ Eseguire il ripristino (vedere di seguito) |
| | Errore del software | |
| | Pulsante del meccanismo di abbassamento di emergenza difettoso | |
| | Mancanza di corrente durante il movimento | |
| | Azionamento difettoso | |
| Meccanismo di abbassamento di emergenza non funzionante | Batteria scarica | ▸ Caricare la batteria (vedere Sezione 4.11) o utilizzare una batteria sostitutiva |
| | Cavo non inserito completamente | ▸ Inserire il cavo completamente |
| | Connettore strip non collegato | ▸ Connettore strip collegato (innestato) |
| | Pulsante difettoso | ▸ Eseguire il ripristino (vedere di seguito) |
| Posizione inclinata del telaio del sedile | I motori sono stati sollevati ad altezze diverse | ▸ Tenere premuto il pulsante Giù B sulla pulsantiera finché gli azionamenti non sono completamente abbassati e l'interruttore di fine corsa non scatta in posizione |

| Guasto | Cause possibili | Rimedio |
|--|--|---|
| Il telaio del sedile non si sposta verso l'alto | Limite di peso superato | ▸ Carico massimo 150 kg |
| | Cavo non inserito correttamente | ▸ Inserire il cavo correttamente |
| o Il telaio del sedile non si sposta verso il basso | Connettore strip non collegato | ▸ Connettore strip collegato (innestato) |
| | Cavo collegato al controller in modo errato | ▸ Motore per inclinazione sempre sul canale 7 |
| o Il telaio del sedile non si inclina | Cavo del connettore rotto | ▸ Sostituire il cavo |
| | Cavo del connettore non inserito completamente | ▸ Inserire il cavo completamente e chiudere la barra di sicurezza. |
| | Controller difettoso | ▸ Eseguire il ripristino (vedere di seguito) |
| | Batteria scarica | ▸ Caricare la batteria (vedere Sezione 4.1 I) o utilizzare una batteria sostitutiva |
| | Cavo della pulsantiera non inserito correttamente. | ▸ Inserire il cavo completamente |
| | Pulsantiera difettosa | ▸ Eseguire il ripristino (vedere di seguito) |
| La batteria non si carica | | o |
| | | ▸ Sostituire la pulsantiera |
| | Batteria difettosa | ▸ Sostituire la batteria |
| | Connettore non inserito correttamente | ▸ Controllare che tutti i connettori siano posizionati correttamente |

Implementazione di un ripristino

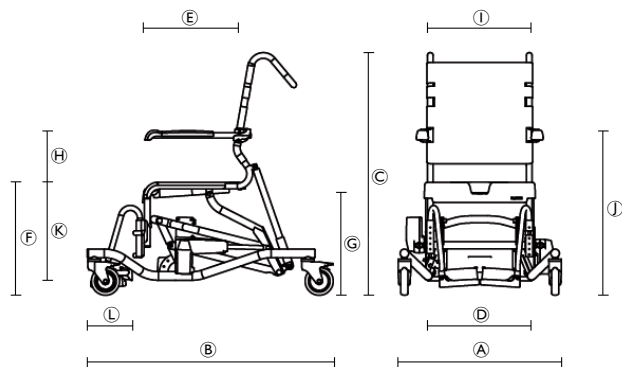
1. Tenere premuti i seguenti tre pulsanti contemporaneamente per circa tre secondi sulla pulsantiera: pulsante di arresto rosso (E), pulsante avanti (C) e pulsante Su (H).
- Verrà emesso un segnale acustico mentre i tre pulsanti sono premuti.
2. Quando la spia di manutenzione (F) si spegne, rilasciare i pulsanti. Il dispositivo è nuovamente pronto per l'uso.
 3. Spostare quindi gli azionamenti per regolare l'altezza della posizione inferiore finché non si avverte che gli azionamenti si sono spenti.
 4. Spostare l'azionamento di inclinazione sulla posizione finale posteriore finché non si avverte che gli azionamenti si sono spenti (il LED rosso lampeggia e viene emesso un segnale acustico).



IMPORTANTE

- Se il guasto si verifica nuovamente dopo il ripristino, sostituire il dispositivo o le parti difettose e restituirle al rivenditore.

10 Dati tecnici



10.1 Dimensioni e peso

| | | |
|---|---|----------------|
| Ⓐ | Larghezza totale | 730 mm |
| Ⓑ | Profondità (senza poggiatesta) | 1010 mm |
| Ⓒ | Altezza (senza poggiatesta) | 1070 - 1620 mm |
| Ⓓ | Larghezza del sedile | 480 mm |
| Ⓔ | Profondità sedile | 450 mm |
| Ⓕ | Altezza del sedile | 500 - 1050 mm |
| Ⓖ | Misurare la distanza tra il pavimento e la staffa per la padella. | 420 - 970 mm |
| Ⓗ | Altezza, dal sedile al bracciolo | 230 - 270 mm |
| Ⓘ | Larghezza senza braccioli | 470 mm |
| Ⓙ | Altezza ai braccioli | 730 - 1320 mm |

| | | |
|---|------------------------------------|---------------------|
| Ⓚ | Altezza, dai poggiatesta al sedile | 345 - 465 mm |
| Ⓛ | Profondità pedana | 155 mm |
| Ⓜ | Larghezza, incavo igienico | 205 mm |
| Ⓝ | Profondità, incavo igienico | 320 mm |
| | Regolazione altezza | variazione continua |
| | Diametro ruota | 127 mm |
| | Peso | circa 39 kg |
| | Portata | 150 kg |

10.2 Dati elettronici

| | |
|---|-------------------------------|
| Tensione di esercizio | 24 V |
| Potenza di ingresso nominale | 170 VA |
| Tipo di batteria | Piombo-acido |
| Tempo di funzionamento tipico | 40 cicli |
| Ingresso caricabatteria | 230 - 240 V CA, 50 - 60 Hz |
| Uscita caricabatteria | 24 V CA, 12 VA |
| Tempo di carica da avviso bassa tensione | circa 5 - 6 h |
| Tipo di protezione, azionamento, gruppo batterie e alloggiamento componenti elettronici | IP X6 W ¹⁾ |
| Tipo di protezione, caricabatteria | IP 40 ²⁾ |
| Tipo di protezione, dispositivo completo | IP X6 W ¹⁾ |
| Livello di potenza sonora | 52 dB(A) |

¹⁾ Protetto contro la penetrazione di acqua in caso di forti getti di acqua, testato in condizioni meteorologiche convenzionali.

²⁾ Protetto da corpi estranei solidi della misura di 1,0 mm o superiore, non protetto da penetrazione di acqua.

10.3 Materiali

| | |
|------------------------------|--|
| Telaio | In acciaio inox, verniciato a polvere |
| Piastra del sedile | Polipropilene |
| Rivestimento dello schienale | Nylon, rivestito in PVC |
| Poggiapiedi | Polipropilene, rinforzato con fibra di vetro |
| Braccioli | Polipropilene |
| Ruote | Parti in plastica e in acciaio inox |

Tutti i componenti del prodotto sono resistenti alla corrosione e privi di lattice.

| | | | | | |
|----------|--|-----------|-----------|---|------------|
| 1 | Información general | 84 | 5 | Funcionamiento | 94 |
| 1.1 | Información general | 84 | 5.1 | Información de seguridad | 94 |
| 1.2 | Símbolos en este manual del usuario | 84 | 5.2 | Giro de los reposabrazos | 95 |
| 1.3 | Garantía | 84 | 5.3 | Giro de los reposapiés | 95 |
| 1.4 | Estándares y normativas | 84 | 5.4 | Control | 95 |
| 1.5 | Uso previsto | 84 | 5.5 | Activación del dispositivo de bloqueo direccional | 96 |
| 1.6 | Vida útil del producto | 85 | 6 | Transporte | 96 |
| 2 | Seguridad | 85 | 6.1 | Información de seguridad | 96 |
| 2.1 | Información de seguridad | 85 | 7 | Mantenimiento | 97 |
| 2.2 | Información de seguridad sobre compatibilidad electromagnética | 85 | 7.1 | Mantenimiento y servicio | 97 |
| 3 | Descripción | 85 | 7.2 | Limpieza y desinfección | 97 |
| 3.1 | Componentes | 85 | 7.3 | Mantenimiento del rendimiento de la batería | 98 |
| 3.2 | Placa de identificación | 86 | 7.4 | Cambio de las ruedas | 98 |
| 4 | Montaje e instalación | 86 | 7.5 | Cambio de los mecanismos de accionamiento | 98 |
| 4.1 | Información de seguridad | 86 | 8 | Después del uso | 99 |
| 4.2 | Montaje del chasis del asiento | 86 | 8.1 | Almacenamiento | 99 |
| 4.3 | Montaje del reposacabezas | 87 | 8.2 | Reutilización | 99 |
| 4.4 | Colocación del cinturón pectoral | 88 | 8.3 | Eliminación | 99 |
| 4.5 | Colocación de la placa del asiento | 89 | 9 | Solución de problemas | 100 |
| 4.6 | Ajuste de la funda del respaldo | 89 | 9.1 | Identificación y reparación de fallos | 100 |
| 4.7 | Ajuste de la altura del reposabrazos | 90 | 10 | Datos técnicos | 102 |
| 4.8 | Ajuste de los reposapiés | 91 | 10.1 | Dimensiones y peso | 102 |
| 4.9 | Colocación de la cubierta de componentes electrónicos | 91 | 10.2 | Datos electrónicos | 102 |
| 4.10 | Retirada de la batería | 92 | 10.3 | Materiales | 103 |
| 4.11 | Carga de la batería | 93 | | | |

I Información general

I.1 Información general

En este manual de usuario se incluye información y anotaciones sobre el uso adecuado y seguro de la silla de ducha y WC.

Antes de utilizar el producto, lea atentamente este manual del usuario. Tenga en cuenta todas las notas, especialmente las referentes a la seguridad, y actúe de acuerdo con ellas.

Las especificaciones de posición (A, B, C, etc.) que aparecen en las instrucciones de uso hacen siempre referencia a la figura anterior.

I.2 Símbolos en este manual del usuario

En este manual del usuario, las advertencias están marcadas con símbolos. El título junto al símbolo de advertencia indica el nivel de peligro.



ADVERTENCIA

Indica una situación peligrosa que, si no se evita, puede tener como consecuencia la muerte o lesiones graves.



PRECAUCIÓN

Indica una situación peligrosa que, si no se evita, puede tener como consecuencia lesiones leves.



IMPORTANTE

Indica una situación peligrosa que, si no se evita, puede ocasionar daños.



Proporciona consejos útiles, recomendaciones e información para un uso eficiente y sin problemas.



Este producto cumple con la Directiva 93/42/CEE en lo concerniente a dispositivos médicos. La fecha de lanzamiento de este producto figura en la declaración de conformidad CE.



Fabricante

I.3 Garantía

Ofrecemos la garantía del fabricante del producto conforme a nuestras Condiciones generales y Condiciones comerciales en los distintos países. Las reclamaciones relativas a la garantía sólo pueden efectuarse a través del distribuidor en el que se adquirió el producto.

I.4 Estándares y normativas

La calidad es muy importante para nuestra empresa; todos los procesos se basan en las normas ISO 9001 e ISO 13485.

Este producto lleva la marca CE correspondiente, en cumplimiento con la Directiva sobre dispositivos médicos 93/42/CEE Clase I.

El producto reúne los requisitos exigidos por las normas DIN EN 12182 (Ayudas técnicas para personas con discapacidad), DIN EN 60601-1 (Seguridad eléctrica) y DIN EN 60601-1-2 (Compatibilidad electromagnética).

Invacare® trabaja continuamente para garantizar que se reduce al mínimo el impacto medioambiental de la empresa, tanto localmente como globalmente. Cumplimos con la normativa medioambiental actual (por ejemplo, las directivas RAEE y RoHS). Solo utilizamos materiales y componentes que cumplen con las directivas REACH.

Si necesita más información, póngase en contacto con la filial de Invacare® correspondiente a su país (las direcciones de contacto se incluyen en la contraportada de este manual del usuario).

I.5 Uso previsto

La silla de ducha y WC se ha diseñado exclusivamente como ayuda para la ducha, para utilizar el inodoro o para trasladar a los pacientes en interiores. No debe utilizarse con ningún otro propósito.



ADVERTENCIA Riesgo de lesiones

- Nunca se ponga de pie sobre la silla para salir o entrar de la bañera. Asimismo, no la utilice para subir o bajar, ya sea como soporte o con otro propósito similar.
- No es idónea para uso en exteriores.

Como silla de WC, puede utilizar el producto colocándolo sobre un inodoro estándar o combinándolo con la estructura de WC (opcional).

Temperatura de funcionamiento: de 5 a 40 °C

1.6 Vida útil del producto

Si el producto se utiliza correctamente y de acuerdo con las normas de seguridad, su vida útil prevista es de 5 años. La vida útil del producto puede variar, no obstante, en función de la frecuencia y la intensidad del uso.

2 Seguridad

2.1 Información de seguridad



ADVERTENCIA Riesgo de lesiones

- ▶ No utilice un producto defectuoso.
- ▶ En caso de producirse un fallo en el funcionamiento, póngase en contacto con un distribuidor inmediatamente.
- ▶ No realice ningún cambio o modificación del producto sin autorización.
- ▶ Utilice únicamente los accesorios diseñados para este producto.

2.2 Información de seguridad sobre compatibilidad electromagnética

La compatibilidad electromagnética de este producto se ha probado con éxito según las normas internacionales. Sin embargo, existen campos electromagnéticos, como los que generan los transmisores de radio y televisión, los equipos de radio y los teléfonos móviles, que pueden influir en el funcionamiento de los productos con unidades eléctricas. El sistema electrónico que se emplea en este producto puede producir también una interferencia electromagnética débil. Sin embargo, dicha interferencia se encuentra dentro de los límites establecidos por la ley. No obstante, debe tener en cuenta las siguientes instrucciones:



PRECAUCIÓN Interferencia electromagnética

Las interferencias electromagnéticas podrían provocar un funcionamiento incorrecto de la Ocean E-VIP o causar interferencias con otros dispositivos.

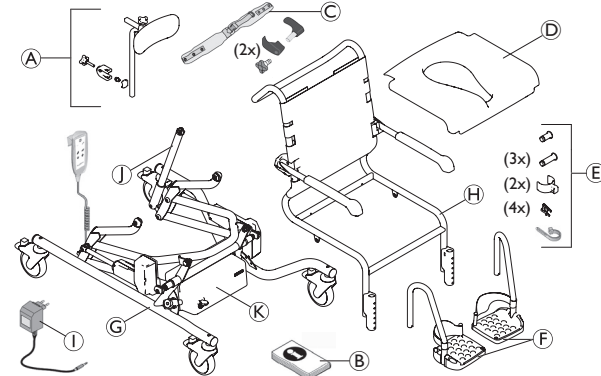
- ▶ Desconecte el dispositivo externo o la Ocean E-VIP si observa dicho comportamiento.
- ▶ Si otros productos médicos que funcionan con electricidad causan una interferencia o el funcionamiento de estos productos sufre una alteración, desconecte la Ocean E-VIP y póngase en contacto con su distribuidor.

Podrá encontrar más información sobre las propiedades electromagnéticas del producto en la sección 10.4, Directrices y declaración del fabricante.

3 Descripción

3.1 Componentes

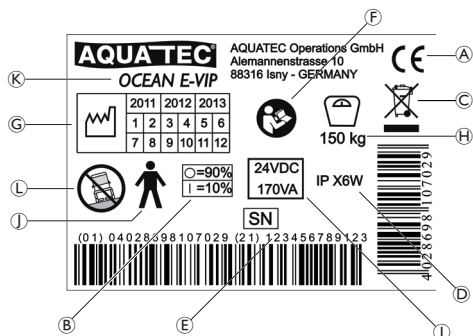
Los componentes siguientes se incluyen con la entrega:



| | |
|-----|--|
| (A) | Reposacabezas |
| (B) | Manual del usuario |
| (C) | Cinturón pectoral |
| (D) | Placa del asiento |
| (E) | Tornillos (4), horquillas de seguridad (4), clips para reposapiés (2), sujetacables (1) en una bolsa |
| (F) | Reposapiés con correa para talón (2) |
| (G) | Chasis con mando y caja de control con batería + mecanismos |
| (H) | Chasis del asiento con funda del respaldo y reposabrazos |
| (I) | Cargador |
| (J) | Mecanismo de inclinación |
| (K) | Cubierta de componentes electrónicos |

3.2 Placa de identificación

La placa de identificación incluye también información importante:



| | |
|-----|--|
| (A) | Distintivo de conformidad |
| (B) | Ciclo de trabajo (máx. 10%, máx. 2 minutos/18 minutos) |
| (C) | Nota (eliminación) |
| (D) | Tipo de protección |
| (E) | Número de serie del dispositivo |
| (F) | Nota (consulte los documentos anexos) |
| (G) | Periodo de fabricación |
| (H) | Capacidad de carga |
| (I) | Tensión nominal/potencia nominal |
| (J) | Pieza aplicada de Tipo B |
| (K) | Designación del dispositivo |
| (L) | Nota (adecuado solo para su uso en superficies planas) |



La placa de identificación se coloca en el tubo lateral izquierdo posterior.

4 Montaje e instalación

4.1 Información de seguridad



IMPORTANTE

- Antes de poner el dispositivo en funcionamiento, compruebe que las piezas no se hayan dañado durante el transporte. Si es necesario, póngase en contacto con el distribuidor.
- Durante el montaje, compruebe que las piezas estén correctamente colocadas unas con respecto a otras.

En esta sección se explica cómo montar el producto. El producto se desmonta en orden inverso.

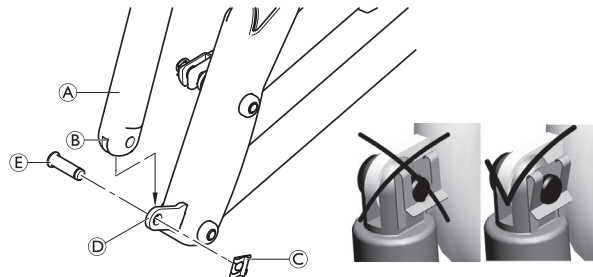
4.2 Montaje del chasis del asiento



ADVERTENCIA

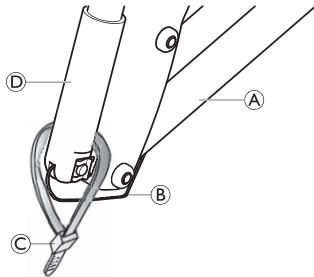
- Riesgo de que los tornillos se deslicen hacia afuera.
- Compruebe que las horquillas de seguridad encajan bien y que están correctamente colocadas (ver diagrama debajo)

- Bloquee todas las ruedas con las palancas de pie de color rojo. Para hacerlo, presione la palanca de pie roja de las ruedas.



- Quite del chasis el mecanismo para inclinación del asiento (A). Para hacerlo, corte el sujetacables.
- Presione la horquilla (B) del extremo inferior del mecanismo (A) sobre el borde (D) del extremo posterior del chasis y alinee los orificios.

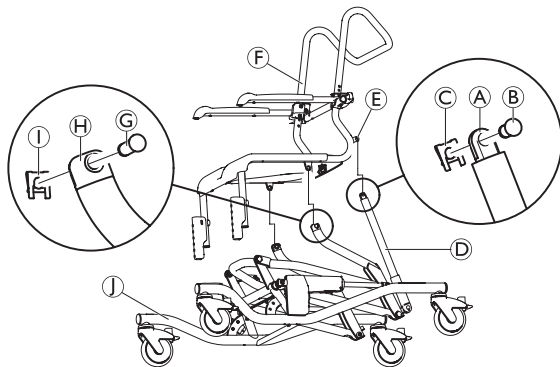
- Introduzca el tornillo ⑤ (35 mm) en los orificios desde el exterior y presione para que quede totalmente dentro.
- Coloque una horquilla de seguridad ③ en el interior.



- Inserte el cable ⑥ del mecanismo ④ todo lo que pueda dentro del chasis ①.
- Utilice el sujetacables ③ facilitado para asegurar el cable del mecanismo en su posición.

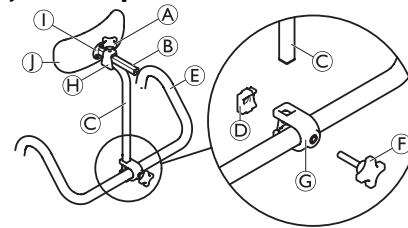
¡ IMPORTANTE

Los reposabrazos quedan mirando hacia adelante cuando se pliegan.



- Introduzca los dos lados del chasis del asiento ⑥ en los espacios ④ del chasis ①.
- Inserte los dos tornillos de 35 mm ⑥ en los espacios ④ desde el exterior, presione para introducirlos por completo y coloque horquillas de seguridad ③ en el interior.
- Incline el chasis del asiento hasta que los orificios del soporte ⑤ del chasis del asiento y de la horquilla ① del mecanismo de inclinación del asiento ④ estén en línea.
- Introduzca el tornillo de 23 mm ② en los orificios desde fuera y coloque la horquilla de seguridad ③ en el interior.

4.3 Montaje del reposacabezas



¡ IMPORTANTE

La barra de sujeción ③ puede colocarse con la parte curva hacia delante o hacia atrás, en función de las necesidades del usuario. El cojín del reposacabezas ① puede quitarse y sustituirse por un cojín con otra forma (opcional).

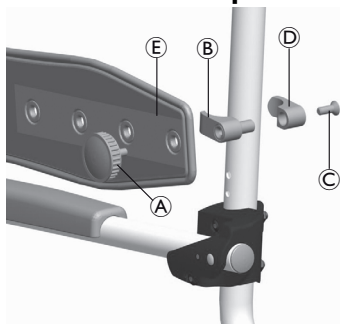
► Para quitar el cojín, afloje los tornillos de montaje ①.

- Gire ligeramente el tornillo con pomo ⑥ para meterlo dentro de la abrazadera ③.
- Acople la abrazadera con el tornillo al asa del respaldo ⑤ desde la parte de atrás de tal forma que el tornillo quede dentro del orificio del asa del respaldo.
- Introduzca la placa ④ en la abrazadera desde la parte frontal de tal forma que los dos bordes de la placa queden hacia arriba y hacia abajo, y el lateral curvado de la misma enfrente del asa del respaldo.

! IMPORTANTE

Al insertar el soporte, la curva de la placa debe estar totalmente alineada con el asa del respaldo.

- Introduzca la barra de sujeción © en los huecos de la abrazadera desde arriba.
- Apriete el tornillo con pomo ƒ hasta que la barra de sujeción quede segura.
- Coloque el cojín ① y su soporte Ɓ dentro del soporte Ɔ de la barra de sujeción.
- Apriete el tornillo superior con pomo Ɔ hasta que el soporte de cojín quede seguro.

4.4 Colocación del cinturón pectoral**! IMPORTANTE**

- Instale ambos soportes de montaje a la misma altura.
- La instalación de los soportes de montaje de la parte izquierda y derecha está invertida lateralmente.

- Abra la hebilla del cinturón en la funda del respaldo a la altura a la que se vaya a colocar el cinturón pectoral.
- Pase el cinturón por el interior del chasis del respaldo y vuelva a cerrar la hebilla.
- Coloque la parte interior Ɖ del soporte de montaje (sin tornillo con rosca interna) alrededor del chasis del respaldo de forma que el orificio quede hacia atrás.

- Coloque la sección exterior Ɓ del soporte de montaje con el tornillo con rosca interna dentro del orificio de la sección interior.
- Acople las dos piezas del soporte de montaje en su posición en el chasis del respaldo con ayuda del tornillo ©.
- Acople el cinturón pectoral Ɛ con el tornillo con pomo Ɔ a los soportes de montaje.

Ajuste de la posición del cinturón pectoral**! IMPORTANTE**

- Ajuste la posición del cinturón pectoral para que se adapte al usuario.
- Ajuste la posición de los dos soportes de montaje de forma igual en ambos lados.
- La posición de los soportes de montaje de la parte izquierda y derecha se ajusta de la misma manera.

- Abra la hebilla del cinturón de la funda del respaldo que va a pasar por el interior del chasis del respaldo a la altura a la que se va a asegurar el cinturón.
- Abra la hebilla del cinturón de la funda del respaldo a la altura a la que se vaya a colocar el cinturón pectoral.
- Pase este cinturón por el interior del chasis del respaldo y vuelva a cerrar la hebilla.
- Afloje el tornillo con pomo Ɔ.
- Quite el cinturón pectoral Ɛ.
- Quite las dos piezas del soporte de montaje Ɓ y Ɖ y cámbielas a la posición necesaria.
- Coloque la parte interior del soporte de montaje Ɖ alrededor del chasis del respaldo.
- Coloque la sección exterior del soporte de montaje Ɓ en el tornillo con rosca interna © de la sección interior.
- Utilice el tornillo con pomo para atornillar el cinturón pectoral en el soporte de montaje.
- Pase el cinturón abierto de la funda del respaldo por el exterior del chasis del respaldo y ciérrelo.
- Apriete todos los cinturones.

Ajuste de la longitud del cinturón pectoral

! IMPORTANTE

- Ajuste la longitud del cinturón pectoral para que se adapte al usuario.

La longitud del cinturón pectoral se ajusta mediante su hebilla. Si el rango de ajuste de la hebilla del cinturón es insuficiente, ajuste la longitud en los soportes de montaje de la siguiente manera:

1. Afloje el tornillo con pomo **A**.
2. Seleccione la longitud del cinturón **E**.
3. Utilice el tornillo con pomo para atornillar el cinturón pectoral en el soporte de montaje.

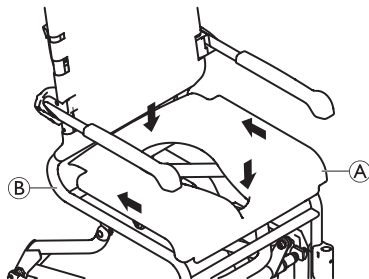
4.5 Colocación de la placa del asiento

Montaje:



PRECAUCIÓN Peligro de pillarse los dedos

- No meta los dedos entre la superficie y el chasis del asiento al presionar sobre la placa del asiento.

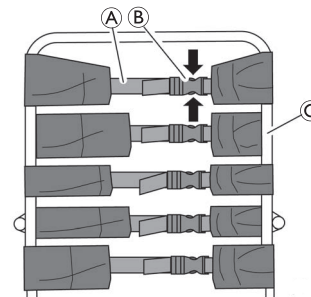


1. Coloque la placa del asiento **A** sobre el chasis del asiento **B** con la entalladura hacia delante.
2. Deslice la placa del asiento hacia atrás todo lo que se pueda.
3. Con la palma de la mano, presione la placa del asiento en los laterales y después por delante y por detrás hasta que encaje con un clic en el chasis del asiento.

Desmontaje:

1. Tire de la placa hacia arriba por los dos lados.

4.6 Ajuste de la funda del respaldo



! IMPORTANTE

- Para acoplar accesorios o el cinturón pectoral, abra la segunda hebilla desde arriba y pase la funda del respaldo por el interior del chasis del respaldo **C** en este punto.
- Debe haber siempre tres cinturones como mínimo alrededor del exterior del chasis del respaldo y sus hebillas deben estar cerradas.

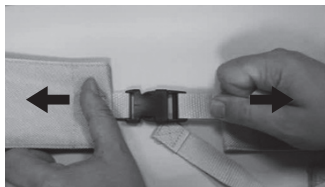
La tensión del respaldo se puede ajustar individualmente.

Para tensar

1. Apriete los cinturones **A** de la funda del respaldo.

Para aflojar la tensión

1. Abra las hebillas de los cinturones **B** presionando los salientes de sujeción (flechas).
2. Afloje un poco los cinturones a través de la hebilla.
3. Cierre las hebillas.
4. Apriete ligeramente los cinturones.

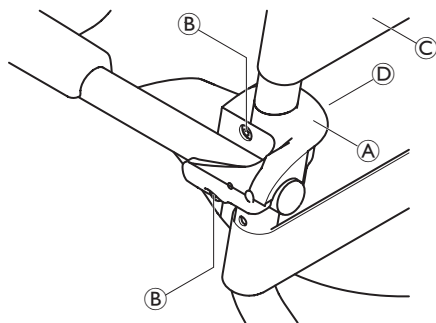


ADVERTENCIA Riesgo de lesiones causadas por hebillas del respaldo en mal estado!

Compruebe la sujeción segura de las hebillas del respaldo, siempre que proceda al mantenimiento o reacondicionamiento del producto.

- ▶ Compruebe todas las hebillas para que la sujeción sea segura cerrándolas y tirando de ambos extremos.
- ▶ Sustituya el/las respaldo/hebillas si se abre una hebillas debido a la fuerza aplicada.

4.7 Ajuste de la altura del reposabrazos



IMPORTANTE

- ▶ Ajuste la altura de los reposabrazos para mayor comodidad del usuario.
- ▶ Ajuste la altura de los reposabrazos al mismo nivel en ambos lados.
- ▶ La altura de los reposabrazos izquierdo y derecho se ajusta de la misma manera.

1. En la funda del respaldo, abra la hebillas del cinturón que pasa por el interior del chasis del respaldo.
2. En la funda del respaldo, abra la hebillas del cinturón © que va por encima del reposabrazos.
3. Pase este cinturón por el interior del chasis del respaldo y vuelva a cerrar la hebillas.



Las tuercas están flojas dentro de la abrazadera de sujeción y pueden caerse.

4. Afloje los tornillos (B) del soporte del reposabrazos (A) utilizando la llave Allen suministrada.
5. Quite la abrazadera de sujeción (D) con las tuercas desde el interior del chasis del respaldo.
6. Quite la abrazadera del reposabrazos (A) junto con el reposabrazos y muévelo hacia arriba.



El orificio de menor tamaño tiene como objetivo asegurar la abrazadera de sujeción.

7. Inserte los tornillos en la abrazadera del reposabrazos y páselos por los orificios del chasis del respaldo.
8. Si es preciso, vuelva a introducir las tuercas en la abrazadera de sujeción.
9. Coloque la abrazadera de sujeción en el chasis del respaldo de forma que la fijación de la abrazadera entre en el orificio más pequeño.
10. Gire los tornillos en las tuercas y apriételos.
11. Pase el cinturón abierto de la funda del respaldo sobre la parte exterior del chasis del respaldo, cierre y apriete todos los cinturones.

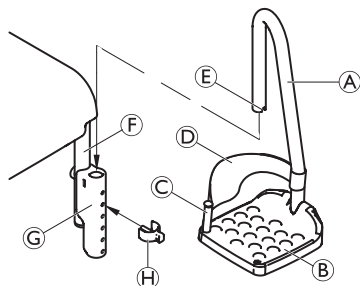
! IMPORTANTE

- Los reposabrazos se ajustan en la posición más baja del mismo modo.
 - Al ajustar a la posición más baja, el cinturón que está debajo del reposabrazos debe abrirse y pasarse por dentro del chasis del respaldo.

4.8 Ajuste de los reposapiés

! IMPORTANTE

- Los reposapiés derecho e izquierdo se instalan de la misma forma.



- Deslice el reposapiés **A** con la paleta **B** en la guía **G** del chasis del asiento **F** hasta que la ranura **E** encaje en el pasador de la horquilla **H**. El reposapiés ya no podrá girarse hacia los laterales.

Ajuste de la altura del reposapiés

- Tire del reposapiés **A** un poco hacia arriba.
- Tire de la horquilla **H** para sacarla y vuelva a introducirla en la posición deseada. Es posible que tenga que tirar un poco más del reposapiés hacia afuera para hacerlo.
- Empuje el reposapiés hacia abajo hasta que la ranura **E** encaje en el pasador de la horquilla.
- Ajuste el segundo reposapiés a la altura deseada como se ha descrito.

Retirada/colocación de las correas para el talón

- Abra el cierre de Velcro® de la correa para talón **D**.
- Quite el tornillo **C** de la parte inferior del estribo.
- Retire el tornillo y el pasador flexible con la correa de talón.

Para colocar la correa, siga el mismo procedimiento en orden inverso.

! IMPORTANTE

- Al instalar un reposapiés, asegúrese de que el cierre Velcro® de la correa para el talón quede mirando hacia atrás.

Ajuste de la correa para el talón

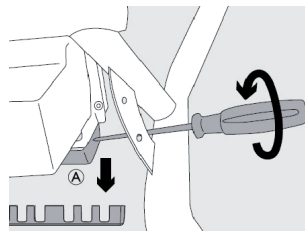
! IMPORTANTE

- Compruebe que el cierre Velcro® de la correa para talón quede hacia atrás.

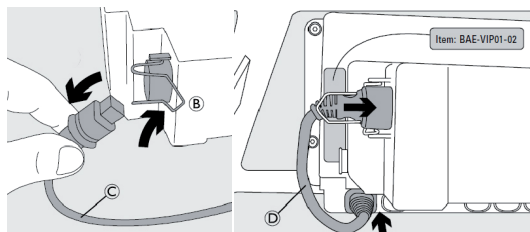
- Abra el cierre de Velcro® de la correa para talón **D**.
- Ajuste la correa a la longitud deseada.
- Cierre de nuevo el cierre de Velcro®.

4.9 Colocación de la cubierta de componentes electrónicos

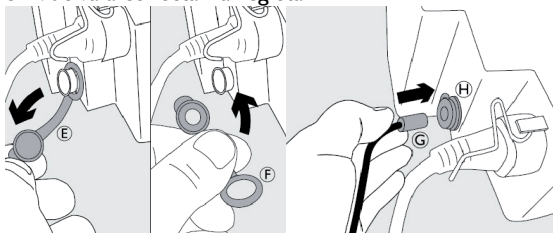
- Gire ambos reposapiés hacia afuera o quítelos.
- Utilice el mando manual para mover la silla para ducha y WC a la posición más alta; consulte la sección 5.4 Control, elevación.



- Quite la regleta de terminales **A**.



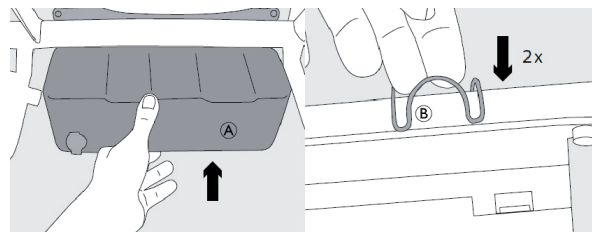
4. Baje la barra de seguridad (A).
5. Quite el cable conector largo (B) (180 mm) entre la batería y la caja de componentes electrónicos.
6. Conecte el cable conector corto (C) (110 mm).
7. Vuelva a subir la barra de seguridad.
8. Vuelva a conectar la regleta.



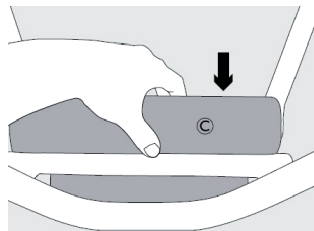
9. Cambie el enchufe azul (A) del conector de carga por el enchufe con el orificio (B).
10. Inserte el conector (C) de la cubierta de componentes electrónicos en el conector de carga (D) de la batería.

! IMPORTANTE

► Compruebe que el conector está bien situado.



11. Conecte la sección delantera (A) a la cubierta de componentes electrónicos y fíjela en el tubo con horquillas de seguridad (B).

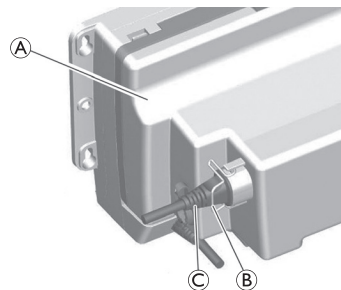


12. Acople la parte trasera de la cubierta de componentes electrónicos (A) desde arriba.

Desmontaje:

Para retirar la cubierta de componentes electrónicos, siga el proceso de instalación en orden inverso.

4.10 Retirada de la batería

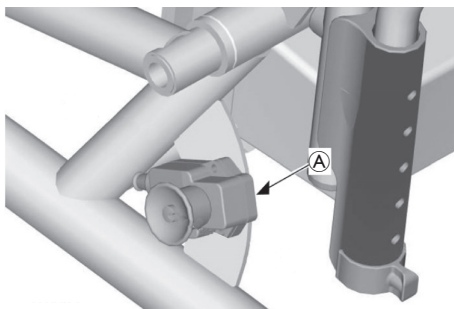


1. Quite la cubierta de componentes electrónicos, consulte 4.9 Colocación/retirada de la cubierta de componentes electrónicos.

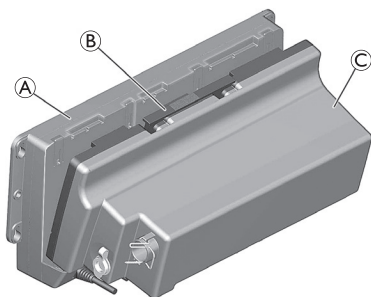
! IMPORTANTE

- Compruebe que el conector entre la cubierta de componentes electrónicos y la batería esté desconectado.

2. Tire de los reposapiés hacia arriba para sacarlos de las guías y déjelos a un lado.
3. Baje la barra de seguridad B y quite el conector C de la batería A.



4. Inserte el cable conector en el soporte para cables A.



5. Con una mano, empuje hacia atrás la lengüeta de desbloqueo B situada en la parte superior de la batería C.
6. Con la otra mano, levante la batería unos 5 mm y tire de él unos 10 mm.
7. Retire la batería de la caja de mando A con un movimiento de giro e inclinación.

4.11 Carga de la batería

La silla no puede usarse mientras la batería se está cargando.

La batería puede cargarse con la cubierta de componentes electrónicos instalada o no, y con la batería fuera de la silla.

ADVERTENCIA



- No arroje nunca la batería al fuego ni lo guarde cerca de una llama.
- No abra nunca la batería. Al hacerlo podría anular la garantía.
- Enchufe el cargador a la corriente eléctrica únicamente cuando la batería ya esté conectado al cargador.

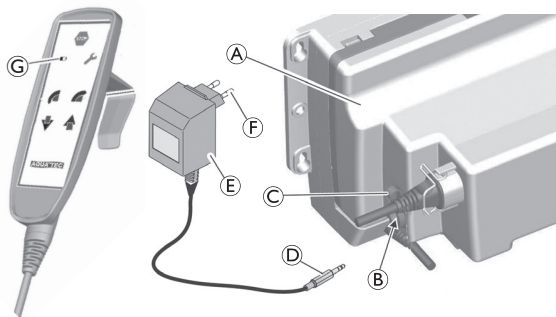


PRECAUCIÓN Riesgo de descarga eléctrica

- Cargue la batería únicamente en cuartos secos (nunca en el cuarto de baño).
- Con la cubierta de componentes electrónicos retirada después de la carga, tape el conector de la batería con la tapa antipolvo.

! IMPORTANTE

- Utilice únicamente el cargador proporcionado con (Aquatec® Ocean E-VIP) para cargar la batería.
- Asegúrese de que la especificación de tensión del cargador coincida con la tensión de la corriente eléctrica.
- Siga las instrucciones de la sección 7.3 para conservar la vida útil de la batería cuando no se utilice durante un periodo prolongado de tiempo.



1. Quite la tapa © del conector ② de la batería ①.

! IMPORTANTE

Cuando la cubierta de componentes electrónicos está colocada, el conector de carga queda en la parte frontal (no en el lateral).

2. Inserte totalmente el conector ④ del cargador ⑤ en el conector ② de la batería.
3. Conecte el enchufe de red ⑥ del cargador en una toma de corriente aprobada.

La batería tarda unas 5 horas en cargarse. El indicador luminoso amarillo © del mando manual se mantiene encendido durante ese tiempo. Se aplica una carga lenta y continua (carga por pulsos) durante unas 3 horas después de ese tiempo. El indicador luminoso verde del mando manual se mantiene encendido durante ese tiempo. El controlador del cargador termina el proceso de carga tras 8 horas, aproximadamente. El indicador luminoso del mando manual se apaga. Así se evita que la batería se cargue „en exceso“.

4. Desconecte el cargador de la toma de corriente.
5. Desconecte el conector del cargador del conector de la batería.
6. Tape el conector con la tapa de protección antipolvo.

5 Funcionamiento

5.1 Información de seguridad



ADVERTENCIA

- Utilice la silla de ducha y WC solamente en una superficie plana y en interiores.
- Respete las especificaciones de la placa de identificación. No coloque un peso excesivo sobre la silla de ducha y WC.
- Antes de utilizarlo, realice siempre una inspección visual del producto para detectar posibles daños externos.
- No utilice un producto defectuoso.
- Recargue completamente la batería antes de cada uso.
- Utilice siempre el cinturón pectoral al trasladar a una persona.



ADVERTENCIA Riesgo de deslizamiento y vuelco

- Antes de usar la silla, compruebe que el asiento está bien fijado a su chasis.
- Bloquee las cuatro ruedas utilizando las palancas de pie rojas antes de sentarse o levantarse de la silla, y también en la posición de estacionamiento.



ADVERTENCIA Riesgo de vuelco

- Gire los reposapiés hacia el lateral antes de sentarse o levantarse, o pliegue los estribos hacia arriba.
- Antes de levantarse o sentarse, gire las ruedas delanteras de forma que el freno quede en la parte frontal.
- Nunca se ponga de pie sobre los reposapiés.
- No quite nunca los mecanismos de husillo.



! IMPORTANTE Riesgo de rotura del reposacabezas

Empuje y conduzca la silla de ducha y WC únicamente con el asa del respaldo, nunca empujando el respaldo.

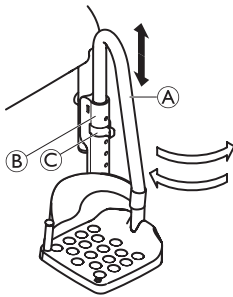
5.2 Giro de los reposabrazos



PRECAUCIÓN Peligro de pillarse los dedos en el mecanismo de plegado

- No meta los dedos en la junta articulada al plegar los reposabrazos hacia arriba o hacia abajo.
- Compruebe que ninguna pieza se queda pillada.
- No meta los dedos entre el reposabrazos y el respaldo al plegar los reposabrazos.

5.3 Giro de los reposapiés



Posición de montaje y de desmontaje:

1. Tire del reposapiés (A) de la guía (B) ligeramente hacia arriba hasta que la ranura salga del pasador del clip (C).
2. Gire el reposapiés hacia el lateral.

Posición de marcha:



PRECAUCIÓN Riesgo de accidente debido a reposapiés sueltos

- Fije los reposapiés en la posición de marcha.

1. Gire el reposapiés (A) hacia adentro.
2. Empuje el reposapiés hacia abajo hasta que la ranura encaje en el pasador de la horquilla (C).

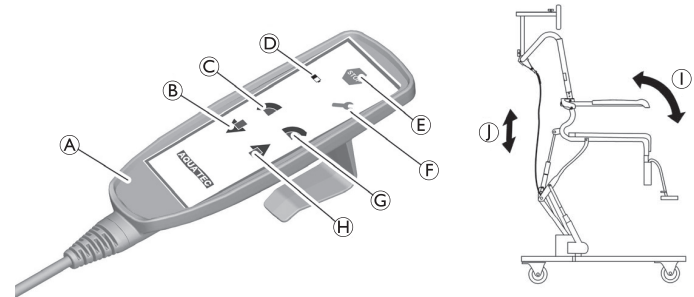
5.4 Control

El producto se controla por medio del mando manual.

La silla se detendrá inmediatamente en su posición actual en cuanto se dejen de pulsar los botones correspondientes.

Por motivos de seguridad, los mecanismos tienen bloqueados determinados rangos:

| Altura del asiento | Inclinación del asiento |
|--------------------|---|
| de 500 a 600 mm | hasta 5° hacia delante hasta 35° hacia atrás |
| más de 600 mm | sin movimiento hacia delante hasta 35° hacia atrás |



! IMPORTANTE

Si la batería no tiene carga suficiente, se enciende el indicador luminoso amarillo (D) del mando (A) y se escucha una señal acústica mientras la silla se mueve. Una vez encendido el indicador luminoso, solo se pueden realizar cinco ciclos de movimiento más. Una vez realizados, la función de elevación del dispositivo se desactiva. Sin embargo, sí que podrá bajarlo.

- Recargue la batería inmediatamente después de bajar la silla.



PRECAUCIÓN Peligro de pillarse los dedos

- No ponga los dedos entre el chasis del asiento y la estructura tubular frontal del chasis al inclinar o bajar el asiento.



IMPORTANTE

Si el chasis del asiento se inclina hacia delante, al altura del asiento puede ajustarse a un máximo de 600 mm.

Si la altura del asiento se establece en más de 600 mm, el chasis del asiento ya no puede inclinarse hacia delante.

Inclinación del chasis del asiento y del respaldo

El chasis del asiento puede inclinarse unos 35° hacia delante y 5° hacia detrás.

I. Pulse el botón de retroceso ⑥ o de avance ⑦ en el mando manual.

El chasis del asiento puede inclinarse hacia delante o hacia atrás ①.

Elevación

I. Pulse el botón Arriba ⑧ del mando manual.

El chasis del asiento se eleva ①).

Descenso

I. Pulse el botón Abajo ⑨ del mando manual.

El chasis del asiento baja ①).

Parada de emergencia

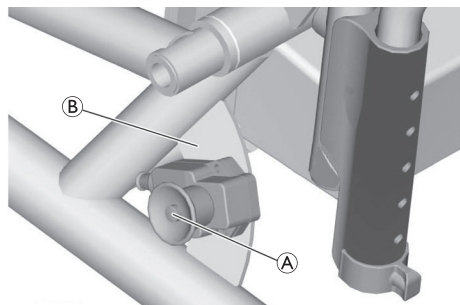


IMPORTANTE

Pulse únicamente el botón rojo PARAR ⑤ del mando si la silla no se para inmediatamente cuando se suelta un botón (por ejemplo, al atascarse un botón). El dispositivo se parará inmediatamente.

Mecanismo de emergencia para bajar el chasis del asiento

Si ya no se puede bajar más el chasis del asiento con el mando, se puede utilizar el mecanismo de emergencia.



I. Pulse el botón ① situado en el lado derecho del chasis ②.



IMPORTANTE

- Si el chasis del asiento se ha bajado mediante el mecanismo de emergencia, lleve la silla de ducha y WC a un distribuidor autorizado para su revisión.

5.5 Activación del dispositivo de bloqueo direccional



IMPORTANTE

- Bloquee el dispositivo de bloqueo direccional de la rueda con la palanca de pie azul. La rueda se bloquea y sólo se moverá en línea recta. El dispositivo de bloqueo direccional sólo se activa cuando la rueda está en posición recta.

6 Transporte

6.1 Información de seguridad



El producto puede desmontarse en los componentes que se suministran en la entrega (Sección 3.1 Componentes) para su transporte.

- Para obtener información sobre cómo desmontar el producto, consulte la sección 4 "Montaje e instalación".

! **IMPORTANTE** Riesgo de daños

- ▶ Durante el transporte, tenga el producto en un entorno seco a una temperatura entre 0 °C y 40 °C, a una presión atmosférica entre 795 y 1060 hPa y a una humedad entre el 30 y el 75%.
- ▶ Mantenga el producto alejado de la luz solar directa.

7 Mantenimiento

7.1 Mantenimiento y servicio

Si se siguen las indicaciones de limpieza y seguridad, el producto no necesitará ningún mantenimiento.

Se deben realizar comprobaciones periódicas de seguridad del producto.



ADVERTENCIA

- ▶ No realice nunca reparaciones no autorizadas ni otras tareas en los husillos o en los componentes eléctricos. Si un husillo está deteriorado o es defectuoso, póngase en contacto inmediatamente con el distribuidor.

1. Compruebe con regularidad que el producto no esté dañado y asegúrese de que esté montado de forma segura.
2. En caso de producirse daños o reparaciones necesarias, póngase en contacto de inmediato con el distribuidor.
3. El producto debe ser revisado por un distribuidor autorizado antes de cada reutilización o después de 24 meses como muy tarde (consulte la recomendación del fabricante para productos de rehabilitación de la asociación industrial SPECTARIS).

7.2 Limpieza y desinfección

El producto puede limpiarse y desinfectarse con productos comerciales que están a la venta.

! **IMPORTANTE**

- La higiene es particularmente importante en un espacio tan delicado como el baño.
- ▶ Mantenga el producto limpio y lávelo con regularidad.

1. Para desinfectar el producto, utilice un paño con desinfectante en todas las superficies generalmente accesibles (si es posible, después del desmontaje).



IMPORTANTE

- Todos los productos de limpieza y los desinfectantes empleados deben ser eficaces y compatibles entre sí, así como proteger los materiales que van a limpiar.
- ▶ Con respecto al tiempo de contacto y a la concentración, consulte la lista de desinfectantes que facilitan las asociaciones Verbund für Angewandte Hygiene e.V. (www.vah-online.de, asociación alemana para la higiene aplicada) y Deutsche Vereinigung zur Bekämpfung der Viruskrankheiten e.V. (www.dvv-ev.de, asociación alemana para el control de las enfermedades víricas).
- ▶ Limpie el producto a mano.
- ▶ No utilice productos de limpieza abrasivos.

Limpieza del chasis del asiento y del chasis de la silla



PRECAUCIÓN Riesgo derivado de la corriente eléctrica

- ▶ Antes de limpiar el producto, cierre todas las tapas y asegure todos los conectores.



IMPORTANTE Riesgo de daños

- ▶ No quite los soportes de los accesorios.

1. Cierre todas las tapas y asegure todos los conectores.
2. Quite los accesorios instalados.
3. Saque los reposapiés de las guías.
4. Quite la placa de asiento y la funda del respaldo.
5. Lave las piezas individuales con un paño o cepillo, y con productos de limpieza disponibles comercialmente (por ejemplo, productos de limpieza de uso general).
6. Enjuague las piezas con agua templada.
7. Seque las piezas con un paño.
8. Vuelva a montar la silla de ducha y WC.

**PRECAUCIÓN** Riesgo de quemaduras

▸ Deje que la silla de ducha y WC se enfríe después de lavarla.

Limpieza en un entorno clínico**PRECAUCIÓN** Riesgo de quemaduras

Deje que el producto se enfríe tras sacarlo del autoclave.

1. Además del procedimiento de limpieza descrito anteriormente, el producto debe limpiarse también a intervalos periódicos a 85 °C durante 3 minutos en el autoclave.

Limpieza de la funda del respaldo

1. Quite la funda del respaldo.
2. Lave la funda en lavadora a una temperatura máxima de 60 °C con detergente para ropa delicada.

**IMPORTANTE** Riesgo de daños

- Si se lava a temperaturas altas, los materiales pueden encoger.
- No seque las fundas en la secadora.

**IMPORTANTE**

- Una limpieza excesiva puede dañar el tejido.
- Es recomendable cambiar la funda del respaldo cada dos años.

Limpieza del cargador y de la batería**PRECAUCIÓN** Riesgo derivado de la corriente eléctrica

- Desconecte siempre el enchufe de la toma de corriente antes de limpiar el cargador.
- No introduzca nunca objetos hechos de materiales conductores (por ejemplo, agujas de tejer o clavos metálicos) en los conectores de la batería.
- Limpie el cargador únicamente con un paño seco.

1. Limpie el cargador con un paño seco.
2. Limpie la batería con un paño húmedo y, a continuación, séquelo con un paño seco.

7.3 Mantenimiento del rendimiento de la batería

Si la silla no se va a utilizar durante un periodo largo de tiempo, cargue totalmente la batería (aproximadamente entre 5 y 6 horas) y después suba y baje tres veces el chasis del asiento vacío. Repita este proceso cada 6 meses como mínimo. De esta forma se contribuye a prolongar la vida útil de la batería.

7.4 Cambio de las ruedas

ADVERTENCIA Existe el riesgo de lesiones si las ruedas no están bien colocadas.

Las ruedas deben ser sustituidas por un distribuidor especializado.

7.5 Cambio de los mecanismos de accionamiento

ADVERTENCIA Existe el riesgo de lesiones si los mecanismos no están bien colocados.

Los mecanismos deben ser sustituidos por un distribuidor especializado.

8 Después del uso

8.1 Almacenamiento

! **IMPORTANTE** Riesgo de daños

- Guarde el producto en una zona seca a una temperatura entre 0 °C y 40 °C, a una presión atmosférica entre 795 y 1060 hPa y a una humedad entre el 30 y el 75%.
- No guarde el producto cerca de fuentes de calor.
- Mantenga el producto alejado de la luz solar directa.

8.2 Reutilización

El producto puede reutilizarse. El número de reutilizaciones depende de la frecuencia del uso y de la manera en que se haya usado el producto. Antes de una reutilización, se debe limpiar y desinfectar el producto. Asimismo, debe comprobarse que se encuentra en un estado de funcionamiento adecuado y seguro. Si es necesario, repare la silla.

8.3 Eliminación

Los productos usados y los embalajes se deben desechar y reciclar según las normas legales correspondientes.

El fabricante puede encargarse de la correcta y completa eliminación del dispositivo.

Este producto incluye una batería de plomo recargable. Las baterías usadas pueden incluir sustancias nocivas para el medio ambiente y la salud pública. Lléveselas al distribuidor o dépositelas en el punto de reciclaje local. Las baterías deben devolverse sin carga tal y como exige la legislación.

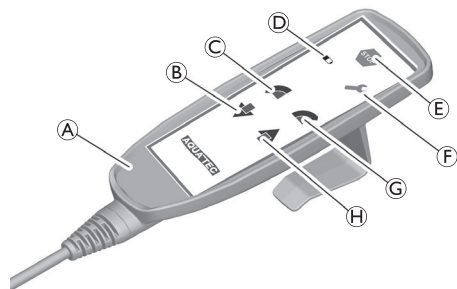
9 Solución de problemas

9.1 Identificación y reparación de fallos



En la siguiente tabla se incluye información sobre funcionamientos incorrectos y sus posibles causas.

Si no puede corregir el mal funcionamiento con las soluciones indicadas, póngase en contacto directamente con su distribuidor.



| Fallo | Posible causa o causas | Solución |
|--|--|--|
| Se emite una señal acústica y el indicador luminoso ④ del mando ① se enciende mientras el dispositivo está en movimiento | Batería casi descargada | ▶ Cargue la batería (consulte la sección 4.1.1) |
| El indicador luminoso "SERVICIO" ⑥ del mando se enciende | Mando defectuoso | ▶ Reinicie (vea a continuación) |
| | Error de software | |
| | Botón del mecanismo de emergencia para bajar el asiento defectuoso | |
| | Fallo de alimentación con la silla en movimiento | |
| | Mecanismo defectuoso | |
| El mecanismo de emergencia para bajar el asiento no funciona | Batería descargada | ▶ Cargue la batería (consulte la sección 4.1.1) o utilice una de repuesto |
| | El cable no está totalmente insertado | ▶ Inserte bien el cable |
| | Regleta de conectores sin conectar | ▶ Regleta de conectores conectada (activada) |
| | Botón defectuoso | ▶ Reinicie (vea a continuación) |
| Posición inclinada del chasis del asiento | Los motores se han levantado a diferentes alturas | ▶ Mantenga pulsado el botón Abajo ② del mando manual hasta que los mecanismos estén bajados al máximo y se escuche como encaja en su posición el interruptor de límite |

| Fallo | Posible causa o causas | Solución |
|---|--|--|
| El chasis del asiento no se eleva o El chasis del asiento no baja o El chasis del asiento no se inclina | Se ha superado el límite de peso | ▸ Carga máxima 150 kg |
| | El cable no está correctamente insertado | ▸ Inserte bien el cable |
| | Regleta de conectores sin conectar | ▸ Regleta de conectores conectada (activada) |
| | Cable mal conectado al mando | ▸ El motor para inclinación está siempre en el canal 7 |
| | Cable conector roto | ▸ Sustituya el cable |
| | El cable conector no está totalmente insertado | ▸ Inserte totalmente el cable y baje la barra de seguridad. |
| | Mando defectuoso | ▸ Reinicie (vea a continuación) |
| | Batería descargada | ▸ Cargue la batería (consulte la sección 4.11) o utilice una de repuesto |
| | El cable del mando no está bien insertado | ▸ Inserte bien el cable |
| La batería no carga | Batería defectuosa | ▸ Sustituya la batería |
| | El conector no está correctamente insertado | ▸ Compruebe que todos los conectores están bien colocados |

Reinicio del dispositivo

1. Mantenga pulsados simultáneamente estos tres botones del mando manual durante tres minutos: botón rojo PARAR (E), botón Avance © y botón Arriba (H).

Se escuchará una señal acústica mientras se mantengan los tres botones pulsados.

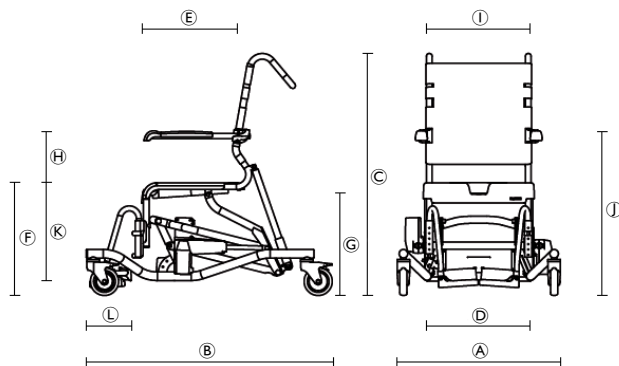
2. Cuando el indicador luminoso „SERVICIO“ (F) se apague, suelte los botones. El dispositivo volverá a estar listo para su uso.
3. Mueva después los mecanismos para ajustar la altura a la posición más baja hasta que escuche cómo se desactivan los mecanismos.
4. Mueva el mecanismo de inclinación a la posición más posterior hasta que escuche cómo se desactiva.
(El indicador LED rojo parpadea y se escucha una señal acústica).



IMPORTANTE

- Si el fallo se repite tras el reinicio, sustituya el dispositivo o las piezas defectuosas y envíenlas.

10 Datos técnicos



10.1 Dimensiones y peso

| | | |
|---|--|----------------|
| Ⓐ | Anchura total | 730 mm |
| Ⓑ | Profundidad (sin reposapiés) | 1.010 mm |
| Ⓒ | Altura (sin reposacabezas) | 1070 – 1620 mm |
| Ⓓ | Anchura del asiento | 480 mm |
| Ⓔ | Profundidad del asiento | 450 mm |
| Ⓕ | Altura del asiento | 500 – 1050 mm |
| Ⓖ | Mida la distancia entre el suelo y la abrazadera para la estructura de WC. | 420 – 970 mm |
| Ⓕ | Altura, del asiento al reposabrazos | 230 – 270 mm |
| Ⓘ | Anchura entre los reposabrazos | 470 mm |
| Ⓙ | Altura a los reposabrazos | 730 – 1320 mm |
| Ⓚ | Altura, del reposapiés al asiento | 345 – 465 mm |
| Ⓛ | Profundidad del reposapiés | 155 mm |

| | | |
|---|------------------------------|--------------|
| Ⓜ | Anchura, hueco higiénico | 205 mm |
| Ⓝ | Profundidad, hueco higiénico | 320 mm |
| | Ajuste de la altura | continua |
| | Diámetro de rueda | 5" (127 mm) |
| | Peso | aprox. 39 kg |
| | Capacidad de carga | 150 kg |

10.2 Datos electrónicos

| | |
|---|-------------------------------|
| Tensión operativa | 24 V |
| Potencia nominal de entrada | 170 VA |
| Tipo de batería | Plomo-ácido |
| Tiempo de funcionamiento normal | 40 ciclos |
| Entrada del cargador | 230 – 240 V CA, 50 – 60 Hz |
| Salida del cargador | 24 V CC, 12 VA |
| Tiempo de carga a partir de la indicación de tensión baja | aprox. entre 5 y 6 h |
| Tipo de protección, mecanismos, batería y carcasa de componentes electrónicos | IP X6 W ¹⁾ |
| Tipo de protección, cargador | IP 40 ²⁾ |
| Tipo de protección de todo el dispositivo | IP X6 W ¹⁾ |
| Nivel de potencia acústica | 52 dB(A) |

¹⁾ Protegido para evitar la entrada de agua en el caso de producirse fuertes chorros de agua, probado en las condiciones meteorológicas estipuladas.

²⁾ Protegido para evitar la entrada de cuerpos extraños sólidos de 1.0 más mm, no protegido contra la entrada de agua.

10.3 Materiales

| | |
|--------------------|--|
| Chasis | Acero inoxidable, pintura electrostática |
| Placa del asiento | Polipropileno |
| Funda del respaldo | Nailon, revestimiento de PVC |
| Reposapiés | Polipropileno, reforzado con fibra de vidrio |
| Reposabrazos | Polipropileno |
| Ruedas | Plásticos y acero inoxidable |

Todos los componentes del producto son resistentes a la corrosión y no contienen látex.

| | | | | | |
|----------|---|------------|-------------|--|------------|
| 1 | Algemene informatie | 105 | 5 | Bediening | 115 |
| 1.1 | Algemene informatie | 105 | 5.1 | Veiligheidsinformatie | 115 |
| 1.2 | Symbolen in deze gebruiksaanwijzing | 105 | 5.2 | De armsteunen draaien | 116 |
| 1.3 | Garantie | 105 | 5.3 | De voetsteunen draaien | 116 |
| 1.4 | Normen en regelgeving | 105 | 5.4 | Bediening | 116 |
| 1.5 | Bedoeld gebruik | 105 | 5.5 | De draaivergrendeling activeren | 117 |
| 1.6 | Levensduur van het product | 106 | 6 | Transport | 118 |
| 2 | Veiligheid | 106 | 6.1 | Veiligheidsinformatie | 118 |
| 2.1 | Veiligheidsinformatie | 106 | 7 | Onderhoud | 118 |
| 2.2 | Veiligheidsinformatie over elektromagnetische compatibiliteit | 106 | 7.1 | Onderhoud en service | 118 |
| 3 | Omschrijving | 106 | 7.2 | Schoonmaken en ontsmetten | 118 |
| 3.1 | Componenten | 106 | 7.3 | De prestaties van de accu op peil houden | 119 |
| 3.2 | Typeplaatje | 107 | 7.4 | De wielen vervangen | 119 |
| 4 | Montage en installatie | 107 | 7.5 | De aandrijvingen vervangen | 119 |
| 4.1 | Veiligheidsinformatie | 107 | 8 | Na gebruik | 120 |
| 4.2 | Montage van het zittingframe | 107 | 8.1 | Opslag | 120 |
| 4.3 | De hoofdsteun monteren | 108 | 8.2 | Hergebruiken | 120 |
| 4.4 | De borstriem plaatsen | 109 | 8.3 | Afvoeren | 120 |
| 4.5 | De zittingplaat plaatsen | 110 | 9 | Problemen oplossen | 121 |
| 4.6 | De rugbekleding aanpassen | 110 | 9.1 | Defecten identificeren en repareren | 121 |
| 4.7 | Hoogte van de armsteunen instellen | 111 | 10 | Technische gegevens | 123 |
| 4.8 | De voetsteunen monteren | 112 | 10.1 | Afmetingen en gewicht | 123 |
| 4.9 | De afdekplaat van de elektronica plaatsen | 112 | 10.2 | Elektronische gegevens | 123 |
| 4.10 | De accu verwijderen | 113 | 10.3 | Materialen | 124 |
| 4.11 | De accu opladen | 114 | 10.4 | Guidance and manufacturer's declaration | 125 |

I Algemene informatie

I.1 Algemene informatie

Deze gebruiksaanwijzing bevat belangrijke informatie en aantekeningen voor een juist en veilig gebruik van de douche- en toiletrolstoel.

Lees deze gebruiksaanwijzing aandachtig door voordat u dit product in gebruik neemt. Houd rekening met alle aantekeningen, in het bijzonder de veiligheidsinformatie, en handel overeenkomstig.

De positiepecificaties (A, B, C, enz.) in de gebruiksinstructies verwijzen altijd naar de voorafgaande afbeelding.

I.2 Symbolen in deze gebruiksaanwijzing

In deze gebruiksaanwijzing worden waarschuwingen aangeduid door symbolen. De waarschuwingssymbolen worden vergezeld van een kop die de ernst van het gevaar aangeeft.



WAARSCHUWING

Geeft een gevaarlijke situatie aan die kan leiden tot ernstige verwondingen of zelfs tot de dood als deze waarschuwing wordt genegeerd.



LET OP

Geeft een gevaarlijke situatie aan die kan leiden tot lichte verwondingen als deze waarschuwing wordt genegeerd.



BELANGRIJK

Geeft een gevaarlijke situatie aan die kan leiden tot schade als deze waarschuwing wordt genegeerd.



Nuttige tips, adviezen en informatie voor efficiënt, probleemloos gebruik.



Dit product voldoet aan Richtlijn 93/42/EEG betreffende medische hulpmiddelen. De datum waarop dit product op de markt wordt gebracht, staat vermeld in de EG-conformiteitsverklaring.



Fabrikant

I.3 Garantie

Wij bieden voor dit product een fabrieksgarantie in overeenstemming met onze Algemene Voorwaarden in de respectievelijke landen.

Garantieclaims kunnen alleen worden ingediend via de dealer bij wie u het apparaat hebt gekocht.

I.4 Normen en regelgeving

Voor ons bedrijf is kwaliteit het allerbelangrijkst; alle processen zijn gebaseerd op ISO 9001 en ISO 13485.

Dit product is voorzien van het CE-merk, conform Richtlijn 93/42/EEG betreffende medische hulpmiddelen, klasse I.

Het product voldoet aan de vereisten van de volgende standaarden: DIN EN 12182 (producten ter ondersteuning van personen met een handicap), DIN EN 60601-1 (elektrische veiligheid) en DIN EN 60601-1-2 (elektromagnetische compatibiliteit).

Invacare® zet zich er voortdurend voor in om de impact van het bedrijf op het milieu, zowel plaatselijk als wereldwijd, tot een minimum te beperken. Wij leven de huidige milieuwetgeving na (bijvoorbeeld de richtlijnen inzake AEEA en RoHS). Wij maken uitsluitend gebruik van materialen en onderdelen die voldoen aan de REACH-richtlijnen.

Neem contact op met de betreffende Invacare®-dochteronderneming in uw land als u meer informatie nodig hebt (contactadressen staan op de achterkant van deze gebruiksaanwijzing).

I.5 Bedoeld gebruik

De douche- en toiletrolstoel is alleen bedoeld ter ondersteuning bij het douchen, het gebruik van het toilet of voor het verplaatsen van patiënten binnenshuis. Het product mag niet voor andere doeleinden worden gebruikt.



WAARSCHUWING Risico op lichamelijk letsel

- Ga nooit op het product staan om in of uit het bad te stappen, gebruik de badlift nooit om te klimmen of omlaag te stappen en gebruik deze ook niet als ondersteuning, of voor enig ander vergelijkbaar doel.
- Niet geschikt voor gebruik buitenshuis.

U kunt het product als toiletrolstoel gebruiken als u het boven een standaardtoilet plaatst of het combineert met een toiletstoel (optioneel).

Bedieningstemperatuur: 5 - 40 °C

1.6 Levensduur van het product

De verwachte levensduur van dit product is vijf jaar bij gebruik in overeenstemming met de veiligheidsinstructies en onderhoudstermijnen en bij correct gebruik zoals in deze handleiding wordt beschreven. De effectieve levensduur kan variëren afhankelijk van de frequentie en intensiteit van het gebruik.

2 Veiligheid

2.1 Veiligheidsinformatie



WAARSCHUWING Risico op lichamelijk letsel

- ▶ Gebruik het product niet als het defect is.
- ▶ Neem direct contact op met uw dealer in geval van een defect.
- ▶ Voer geen niet-geautoriseerde wijzigingen of aanpassingen uit op het product.
- ▶ Gebruik alleen de accessoires die bedoeld zijn voor dit product.

2.2 Veiligheidsinformatie over elektromagnetische compatibiliteit

Dit product is getest in overeenstemming met internationale standaarden voor de elektromagnetische compatibiliteit. Elektromagnetische velden die bijvoorbeeld worden gegenereerd door radio- en televisiesignalen, radioapparatuur en mobiele telefoons, kunnen echter de werking van producten met elektronische aandrijving beïnvloeden. De elektronica die in dit product wordt gebruikt kan ook zwakke elektromagnetische interferentie veroorzaken, maar de waarden daarvan liggen beneden de wettelijke grenzen. U moet daarom de volgende instructies in acht nemen:



LET OP Elektromagnetische interferentie

Elektromagnetische interferentie kan ervoor zorgen dat de Ocean E-VIP niet naar behoren werkt of invloed heeft op de correcte werking van andere apparaten.

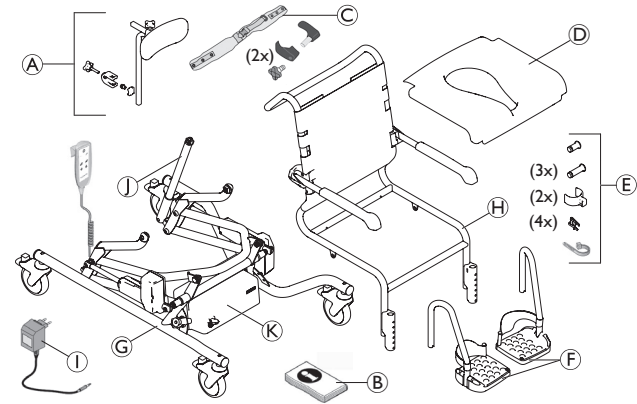
- ▶ Schakel het externe apparaat en/of de Ocean E-VIP uit als u dergelijk gedrag opmerkt.
- ▶ Als andere elektrische, medische producten interferentie veroorzaken of deze apparaten zelf worden verstoord, moet u de Ocean E-VIP uitschakelen en contact opnemen met uw dealer.

U vindt meer informatie over de elektromagnetische eigenschappen van het product in hoofdstuk 10.4 Richtlijnen en verklaring van de fabrikant.

3 Omschrijving

3.1 Componenten

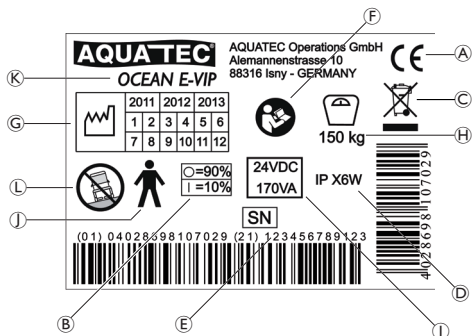
De volgende onderdelen zijn inbegrepen in de levering:



| | |
|---|---|
| A | Hoofdsteen |
| B | Gebruiksaanwijzing |
| C | Borstriem |
| D | Zittingplaat |
| E | Bout (x 4), veiligheidsclips (x 4), clips voor voetsteunen (x 2), tiwrap (x 1) in een zak |
| F | Voetsteunen met hielband (x 2) |
| G | Chassis met handbediening en bedieningsconsole met accu + aandrijvingen |
| H | Zittingframe met rugbekleding en armsteunen |
| I | Lader |
| J | Kantelaandrijving |
| K | Afdekplaat elektronica |

3.2 Typeplaatje

Het typeplaatje bevat ook belangrijke informatie:



| | |
|-----|--|
| (A) | Conformiteitsmerk |
| (B) | Inschakelduur (max. 10%, max. 2 min/18 min) |
| (C) | Opmerking (afvoer) |
| (D) | Type bescherming |
| (E) | Serienummer van apparaat |
| (F) | Opmerking (bijgevoegde documenten in acht nemen) |
| (G) | Periode productie |
| (H) | Laadcapaciteit |
| (I) | Nominale ingangsspanning/nominaal vermogen |
| (J) | Toegepast onderdeel van type B |
| (K) | Apparaataanduiding |
| (L) | Opmerking (alleen te gebruiken op vlakke ondergrond) |



Het typeplaatje is aangebracht op de achterste buis aan de linkerzijde.

4 Montage en installatie

4.1 Veiligheidsinformatie



BELANGRIJK

- ▶ Controleer de onderdelen op transportschade voordat u het product in gebruik neemt en neem indien nodig contact op met de dealer.
- ▶ Houd er bij de montage rekening mee dat alle onderdelen juist geplaatst dienen te worden zodat er geen beschadigingen optreden.

In dit hoofdstuk wordt uitgelegd hoe het product moet worden gemonteerd. Dit product wordt in de omgekeerde volgorde gedemonteerd.

4.2 Montage van het zittingframe

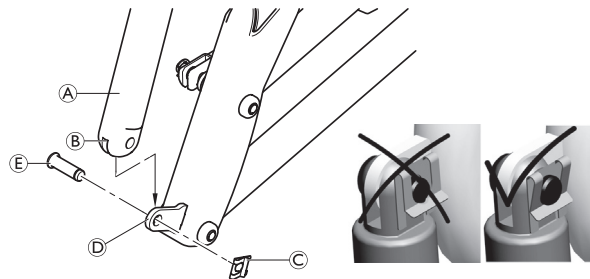
WAARSCHUWING



Risico op loskomende bouten

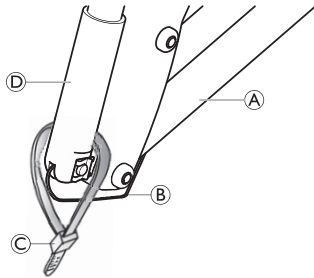
- ▶ Zorg ervoor dat de veiligheidsclips zijn vastgeklit en correct zijn bevestigd (zie onderstaand diagram).

1. Vergrendel alle wielen met de rode voetsluitingen. Hiervoor duwt u de rode voetsluiting op de wielen naar beneden.



2. Verwijder de aandrijving voor de kantelzitting (A) van het chassis. Verwijder hiervoor de tiwrap.
3. Duw de vork (B) onderaan de aandrijving (A) op de lip (D) aan de achterkant van het chassis en zorg ervoor dat de gaten boven elkaar liggen.

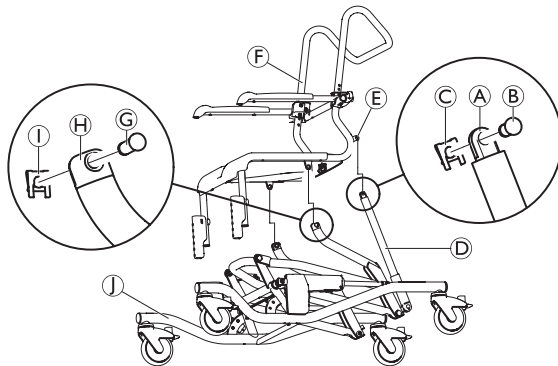
- Plaats de bout ⑤ (35mm) vanuit de buitenkant in de gaten en duw deze volledig naar binnen.
- Bevestig een veiligheidsclip ③ aan de binnenkant.



- Plaats de kabel ⑥ van de aandrijving ④ zo ver mogelijk in het chassis ①.
- Gebruik een meegeleverde tie-wrap ③ om de kabel van de aandrijving in deze positie te bevestigen.

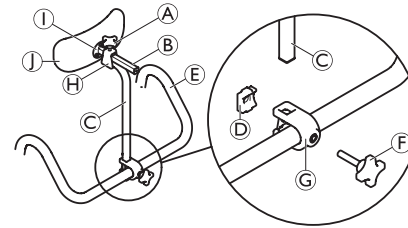
BELANGRIJK

De armsteunen zijn naar voren gericht als deze naar beneden worden ingeklapt.



- Bevestig beide zijden van het zittingframe ⑥ op de bijbehorende delen ④ op het chassis ①.
- Plaats de twee bouten van 35mm ⑤ op de bijbehorende delen ④ vanaf de buitenkant, duw deze volledig naar binnen en bevestig de veiligheidsclips ③ aan de binnenkant.
- Kantel het zittingframe totdat de gaten in de beugel ⑤ op het zittingframe en in de vork ① op de kantelzittingaandrijving ④ boven elkaar liggen.
- Plaats de bout van 23 mm ⑤ vanaf de buitenkant in de gaten en bevestig de veiligheidsclip ③ aan de binnenkant.

4.3 De hoofdsteun monteren



BELANGRIJK

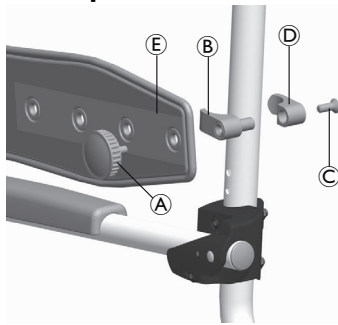
De borgstang ③ kan met de afronding naar voren of achteren worden gericht, afhankelijk van de behoeften van de gebruiker. Het hoofdsteunkussen ① kan worden verwijderd en vervangen door andere kussenvormen (optioneel).
 ▶ Om het kussen te verwijderen, draait u de montageschroeven ① los.

- Draai de schroef met de handgreep ⑥ een klein beetje naar de binnenkant van de beugel ⑤.
- Bevestig de beugel met de schroef zodanig via de achterkant aan de greep van de rugleuning ⑤ zodat de schroef via het gat in de greep van de rugleuning naar binnen gaat.
- Bevestig de plaat ④ zodanig op de beugel, dat de twee lippen van de plaat naar boven en naar onder zijn gericht en de afgeronde zijde van de plaat aansluit bij de greep van de rugleuning.

! BELANGRIJK

Als u de ondersteuning plaatst, moet de afronding van de plaat volledig gelijk zijn aan de rugleuninggreep.

4. Bevestig de borgstang © vanaf de bovenkant in de inkepingen van de beugel.
5. Draai de schroef vast met de handgreep ƒ tot dat de borgstang is bevestigd.
6. Plaats het kussen ƒ samen met de kussensteun ƒ op de haak ƒ van de borgstang.
7. Draai de bovenste schroef vast met de handgreep ƒ tot dat de kussensteun is bevestigd.

4.4 De borstriem plaatsen**! BELANGRIJK**

► Installeer beide montagebeugels op dezelfde hoogte.
► Installatie van de linker en rechter montagebeugels is horizontaal omgekeerd.

1. Open de riemgesp van de rugbekleding ter hoogte van de plek waar de borstriem moet worden geplaatst.
2. Leg de riem door de binnenkant van het rugleuningframe en sluit deze weer.
3. Plaats het binnenste gedeelte ƒ van de montagebeugel (zonder bout met intern schroefdraad) om het rugleuningframe zodat het gat naar achteren is gericht.

4. Plaats het buitenste gedeelte ƒ van de montagebeugel met de bout met intern schroefdraad door het gat van het binnenste gedeelte.
5. Bevestig de twee delen van de montagebeugel op de vereiste plek met de schroef © aan het rugleuningframe.
6. Bevestig de borstriem ƒ met de schroef met handgreep ƒ aan de montagebeugels.

De borstriempositie aanpassen**! BELANGRIJK**

► Pas de positie van de borstriem aan zodat deze de gebruiker past.
► Pas de positie van de twee montagebeugels gelijk aan aan beide zijden.
► De positie van de rechter en linker montagebeugels wordt op dezelfde manier aangepast.

1. Open de riemgesp van de rugbekleding die via de binnenkant van het rugleuningframe wordt gelegd ter hoogte van de plek waar de borstriem wordt bevestigd.
2. Open de riemgesp van de rugbekleding ter hoogte van de plek waar de borstriem moet worden geplaatst.
3. Leg de riem door de binnenkant van het rugleuningframe en sluit de riem weer.
4. Maak de schroeven met de handgreep ƒ los.
5. Verwijder de borstriem ƒ.
6. Verwijder de twee delen van de montagebeugel ƒ en ƒ, en verplaats deze naar de vereiste positie.
7. Plaats het binnenste gedeelte van de montagebeugel ƒ om het rugleuningframe.
8. Plaats het buitenste gedeelte van de montagebeugel ƒ op de bout met intern schroefdraad © van het binnenste gedeelte.
9. Gebruik de schroef met de handgreep om de borstriem op de montagebeugel te schroeven.
10. Leg de loshangende riem van de rugbekleding langs de buitenkant van het rugleuningframe en sluit deze weer.
11. Trek alle riemen aan.

De borstriemlengte aanpassen

! BELANGRIJK

- Pas de lengte van de borstriem aan zodat deze de gebruiker past.

De lengte van de borstriem wordt aangepast via de riemgesp van de borstriem. Als het instelbereik van de riemgesp onvoldoende is, past u de lengte bij de montagebeugels als volgt aan:

1. Maak de schroeven met de handgreep **A** los.
2. Kies de lengte van de borstriem **E**.
3. Gebruik de schroef met de handgreep om de borstriem op de montagebeugel te schroeven.

4.5 De zittingplaat plaatsen

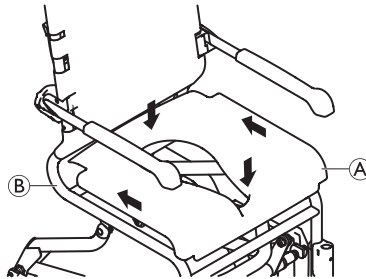
Bevestiging:



LET OP

Beknellingsgevaar voor de vingers

- Plaats geen vingers tussen het zitgedeelte en het zittingframe wanneer u de zittingplaat naar beneden duwt.

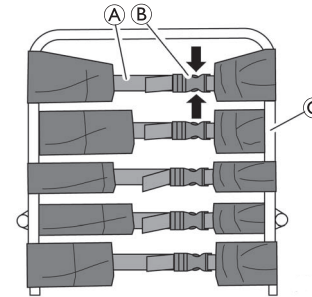


1. Plaats de zittingplaat **A** op het zittingframe **B** met de uitsparing naar de voorkant gericht.
2. Schuif de zittingplaat zo ver mogelijk terug.
3. Druk met de vlakke hand de zijkanten van de zittingplaat omlaag en druk vervolgens op de voor- en achterzijde totdat de zittingplaat in het zittingframe klikt.

Verwijdering:

1. Trek de zittingplaat aan beiden zijden naar boven.

4.6 De rugbekleding aanpassen



BELANGRIJK

- Om accessoires of de borstriem te bevestigen, opent u de tweede riemgesp vanaf de bovenkant en schuift u de rugbekleding via de binnenkant van het rugleuningframe **C** door vanaf dit punt.
- Er moeten altijd minstens drie riemen zijn gelegd via de buitenkant van het rugleuningframe en de riemen moeten altijd gesloten zijn.

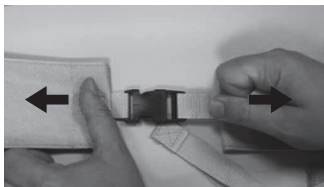
De spanning van de rugleuning kan desgewenst worden aangepast.

Aanspannen

1. Span de riemen **A** op de rugbekleding aan.

Losmaken

1. Open de riemgespen **B** door de lippen naar elkaar toe te drukken (pijlen).
2. Duw de riemen een stuk terug door de gesp.
3. Sluit de riemen.
4. Trek de riemen een beetje aan.

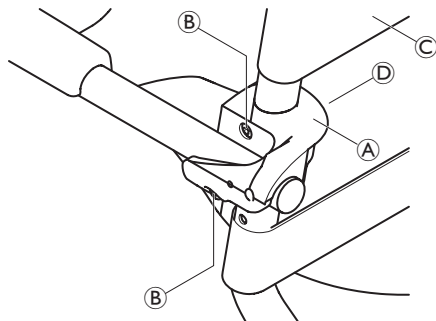


WAARSCHUWING Risico op letsel door beschadigde spanbanden rugleuning.

Controleer na elk onderhoud of elke reparatie of de rugleuningsgordels stevig vastzitten.

- ▶ Controleer of alle spanbandenclips stevig vastzitten door de spanbanden te sluiten en aan beide uiteinden te trekken.
- ▶ Vervang de rugleuning/rugleuningsspanbanden als een spanband tijdens het trekken opent.

4.7 Hoogte van de armsteunen instellen



BELANGRIJK

- ▶ Pas de hoogte van de armsteunen aan zodat deze bij de gebruiker passen.
- ▶ Pas de hoogte van de armsteunen aan beiden kanten gelijk aan.
- ▶ De hoogte van de rechter en linker armsteunen wordt op dezelfde manier aangepast.

1. Open de riemgesp op de rugbekleding die via de binnenkant van het rugleuningframe wordt gelegd.
2. Open de gesp van de riem © op de rugbekleding die boven de armsteunen ligt.
3. Leg de riem door de binnenkant van het rugleuningframe en sluit de riem weer.



De bouten worden los in de borgklem geplaatst en kunnen loskomen.

4. Maak de schroeven B van de armsteunbeugel los A met behulp van de meegeleverde inbusleutel.
5. Verwijder de borgklem D met de bouten van de binnenkant van het rugleuningframe.
6. Verwijder de armsteunbeugel A samen met de armsteunen en beweeg deze naar boven.



Het kleinere gat dient ter bevestiging van de borgklem.

7. Plaats de schroeven in de armsteunbeugel en duw deze door de gaten in het rugleuningframe.
8. Indien nodig plaatst u de bouten opnieuw in de borgklem.
9. Zet de borgklem zo op het rugleuningframe dat de bevestiging van de klem in het kleinere gat steekt.
10. Draai de schroeven in de moeren en draai ze aan.
11. Leg de loshangende riem van de rugbekleding langs de buitenkant van het rugleuningframe, sluit alle riemen en trek ze aan.



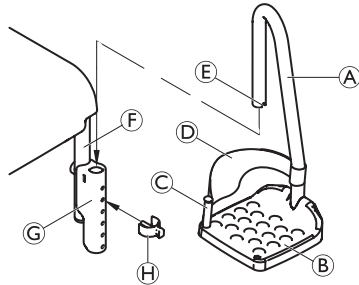
BELANGRIJK

- De armsteunen worden op de lagere positie op dezelfde manier aangepast.
- ▶ Wanneer u de positie naar een lagere positie aanpast, moet de riem onder de armsteunen open zijn en via de binnenkant van het rugleuningframe worden gelegd.

4.8 De voetsteunen monteren

! BELANGRIJK

- De rechter en linker voetsteun worden op dezelfde manier geïnstalleerd.



1. Druk de voetsteun (A) met de voetplaat (B) in de geleider van het (G) zittingframe (F) tot de groef (E) in de pen van de klem (H) valt. De voetsteun kan niet meer opzij worden gedraaid.

Hoogte van de voetsteunen aanpassen

1. Trek de voetsteun (A) een klein stukje omhoog.
2. Trek de klem (H) uit en druk deze terug in de gewenste positie. Trek indien nodig de voetsteun hiervoor iets verder uit.
3. Druk de voetsteun omlaag tot de groef (E) in de pen van de klem valt.
4. Stel de tweede voetsteun op dezelfde wijze in op de gewenste hoogte.

De hielband verwijderen/bevestigen

1. Open de klittenbandsluiting op de hielband (D).
 2. Verwijder de schroef (C) uit de onderkant van de voetplaat.
 3. Verwijder de hielband van de buigzame plastic pen.
- Bevestig de hielband volgens dezelfde procedure in omgekeerde volgorde.

! BELANGRIJK

- Wanneer een voetsteun wordt geïnstalleerd, moet ervoor worden gezorgd dat de klittenbandsluiting van de hielband naar achteren is gericht.

De hielband aanpassen

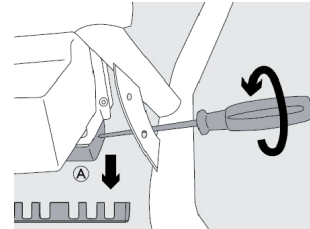
! BELANGRIJK

- Zorg ervoor dat de klittenbandsluiting van de hielband naar achteren is gericht.

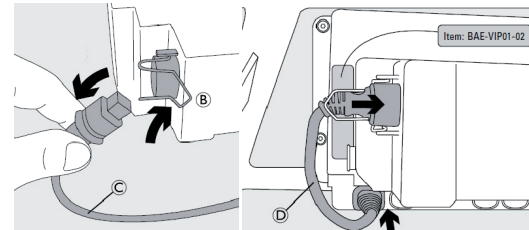
1. Open de klittenbandsluiting op de hielband (D).
2. Pas de hielband aan op de gewenste lengte.
3. Sluit de klittenbandsluiting weer.

4.9 De afdekplaat van de elektronica plaatsen

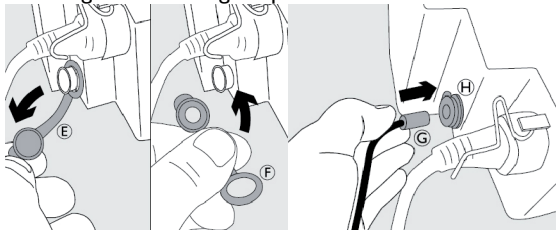
1. Draai beide voetsteunen naar de buitenkant of verwijder deze.
2. Gebruik de handbediening om de douche- en toiletrolstoel in de hoogste stand te zetten (zie hoofdstuk 5.4 Bedienen, tillen).



3. Verwijder de verbindingstrip (A).



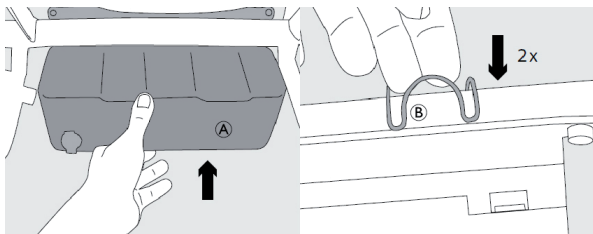
4. Klap de veiligheidsgreep Ⓐ naar voren.
5. Koppel de lange verbindingkabel Ⓑ los (180 mm) tussen de accu en de elektronica.
6. Verbind de korte verbindingkabel Ⓒ (110 mm).
7. Klap de veiligheidsgreep weer terug.
8. Breng de verbindingsstrip weer aan.



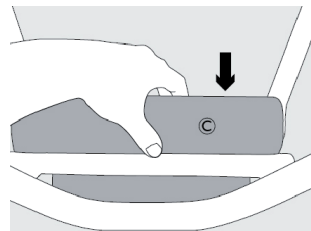
9. Verwissel de blauwe stekker Ⓐ van de oplaadbus met de stekker met het gat Ⓑ.
10. Verbind de aansluiting Ⓒ op de afdekplaat van de elektronica met de oplaadbus Ⓓ van de accu.

BELANGRIJK

- ! Zorg ervoor dat de aansluiting zich in de correcte positie bevindt.



11. Sluit de voorkant Ⓐ aan op de afdekplaat van de elektronica en bevestig deze aan de buis met veiligheidsclips Ⓑ.

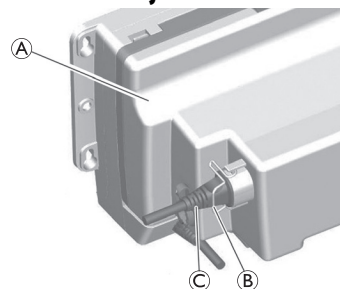


12. Bevestig de achterkant van de afdekplaat van de elektronica Ⓐ vanaf de bovenkant.

Verwijdering:

De afdekplaat van de elektronica wordt in omgekeerde volgorde van de installatie verwijderd.

4.10 De accu verwijderen



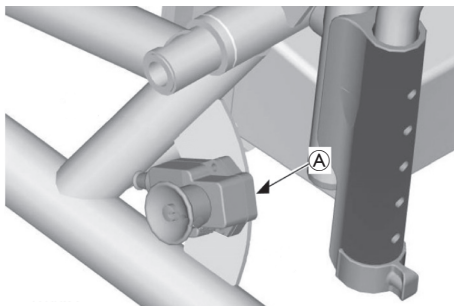
1. Verwijder de afdekplaat van de elektronica (zie 4.9 De afdekplaat van de elektronica plaatsen/verwijderen).

BELANGRIJK

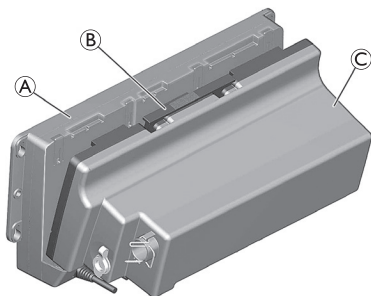
- ! Zorg ervoor dat de aansluiting tussen de afdekplaat van de elektronica en de accu is losgekoppeld.

2. Trek de voetsteunen naar boven uit de geleiders en zet ze naar één kant.

3. Klap de veiligheidsgreep ⑥ naar voren en koppel de aansluiting los ⑦ van de accu ⑧.



4. Plaats de verbindingkabel in de kabelhouder ⑨.



5. Gebruik één hand om de ontgrendeling ⑩ aan de bovenkant van de accu terug te duwen ⑪.
6. Trek de accu met de andere hand ongeveer 5 mm naar boven en trek deze ongeveer 10 mm naar buiten.
7. Verwijder de accu uit de bedieningsconsole ⑫ met een draai- en kantelbeweging.

4.11 De accu opladen

Het product kan niet worden gebruikt wanneer de accu wordt opgeladen.

De accu kan zowel met als zonder de afdekplaat van de elektronica en met losgekoppelde accu worden opgeladen.



WAARSCHUWING

- Gooi de accu niet in het vuur en bewaar hem ook niet in de buurt van open vuur.
- Maak de accu niet open. Door het openen van de accu vervalt de garantie.
- Sluit de lader alleen aan op het lichtnet als de accu is aangesloten op de lader.



LET OP

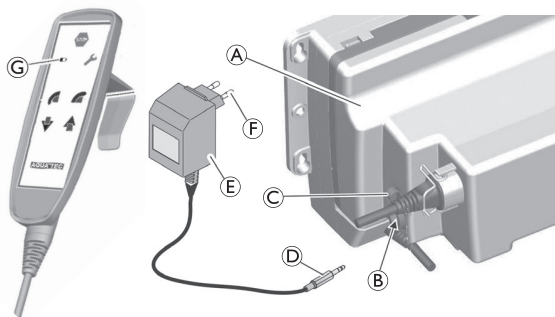
Risico op elektrische schokken.

- Laad de accu alleen op in droge ruimtes, nooit in de badkamer.
- Terwijl de afdekplaat van de elektronica na het opladen nog verwijderd is, sluit u de oplaadbus op de accu met de dop.



BELANGRIJK

- Gebruik alleen de meegeleverde acculader (*Aquatec® Ocean E-VIP*) om de accu op te laden.
- Controleer of de spanningsspecificaties op de lader overeenkomen met die van het lichtnet.
- Volg de instructies van hoofdstuk 7.3 over het behoud van de levensduur van de accu wanneer deze gedurende een langere periode niet wordt gebruikt.



1. Verwijder de dop © van de oplaadbus ⑥ op de accu ①.

! BELANGRIJK

Wanneer de afdekplaat van de elektronica is geplaatst, bevindt de oplaadbus zich aan de voorzijde (niet aan de zijkant).

2. Verbind de aansluiting ④ van de acculader volledig ⑤ met de oplaadbus ⑥ van de accu.
3. Steek de netstekker © van de lader in een goedgekeurde contactdoos.

Het opladen duurt ongeveer 5 uur. Het gele indicatielampje © op de handbediening brandt tijdens het opladen. Hierna wordt gedurende ongeveer 3 uur een compensatielading (gepuleerde oplading) uitgevoerd. Het groene indicatielampje brandt hierna op de handbediening. De acculader stopt na ongeveer 8 uur het oplaadproces. Het indicatielampje op de handbediening gaat hierna uit. Hierdoor wordt het overladen van de accu voorkomen.

4. Haal de lader uit de contactdoos.
5. Koppel de aansluiting van de acculader los van de oplaadbus van de accu.
6. Sluit de oplaadbus af met de dop.

5 Bediening

5.1 Veiligheidsinformatie



WAARSCHUWING

- Gebruik de douche- en toiletrolstoel alleen op een vlakke ondergrond en binnenshuis.
- Kijk naar de specificaties op het typeplaatje. Plaats geen al te zware voorwerpen op de douche- en toiletrolstoel.
- Voer altijd voor elk gebruik een visuele inspectie van het product op externe beschadigingen uit.
- Gebruik het product niet als het defect is.
- Laad de accu altijd volledig op voor elk gebruik.
- Gebruik altijd de borstriem wanneer een persoon wordt getransporteerd.



WAARSCHUWING Risico op uitglijden en weggrollen

- Zorg er vóór gebruik voor dat de zitting veilig is bevestigd aan het zittingframe.
- Vergrendel alle vier de wielen met de rode voetsluitingen voordat iemand plaatsneemt, iemand opstaat of als de rolstoel staat geparkeerd.



WAARSCHUWING Risico op kantelen

- Zwenk de voetsteunen naar de zijkant voordat iemand plaatsneemt in de rolstoel, iemand opstaat of de voetplaten naar boven worden geklapt.
- Draai de voorwielen zodat de rem naar voren is gericht voordat iemand plaatsneemt in de rolstoel of iemand opstaat.
- Ga niet op de voetsteunen staan.
- Verwijder de asaandrijvingen niet.



! BELANGRIJK Risico op breken van de hoofdsteun

Draai of duw de douche- en toiletrolstoel alleen met de greep aan de rugleuning, nooit via de hoofdsteun.

5.2 De armsteunen draaien

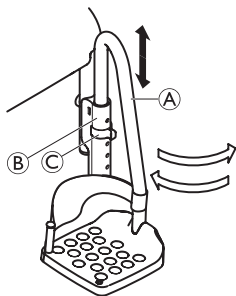


LET OP

Gevaar van beknelling van vingers in het inklapmechanisme

- Plaats geen vingers in de gelede koppeling wanneer de armsteunen naar boven of onderen worden geklapt.
- Zorg ervoor dat er geen onderdelen blijven hangen.
- Plaats geen vingers tussen de armsteunen en de rugleuning wanneer de armsteunen naar achteren worden ingeklapt.

5.3 De voetsteunen draaien



Positie bevestigen/losmaken

1. Trek de voetsteunen (A) in de geleider (B) een beetje omhoog totdat de groef niet meer vastzit in de pen van de klem (C).
2. Draai de voetsteunen naar de zijkant.

Rijpositie:



LET OP Risico op ongeluk als gevolg van losse voetsteun

- Bevestig de voetsteunen in de rijpositie.

1. Draai de voetsteun (A) naar binnen.
2. Druk de voetsteun omlaag tot de groef in de pen van de klem (C) valt.

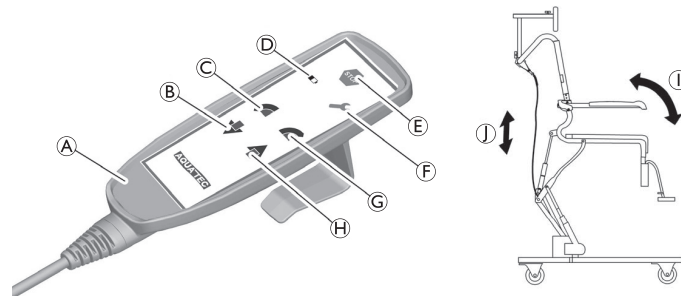
5.4 Bediening

Het product wordt bediend via de handbediening.

Het apparaat stopt direct in de huidige positie zodra de desbetreffende knoppen worden losgelaten.

Omwille van de veiligheid hebben de aandrijvingen bepaalde geblokkeerde gebieden:

| Zithoogte | Kantelzitting |
|-----------------|--|
| 500 tot 600 mm | Maximaal 5° naar voren Maximaal 35° naar achteren |
| Meer dan 600 mm | Geen beweging naar voren Maximaal 35° naar achteren |



BELANGRIJK

Wanneer de accu niet voldoende is opgeladen, begint de gele indicatielamp (D) op de handbediening (A) te branden en wordt een akoestisch signaal afgespeeld. Nadat de indicatielamp is gaan branden, kunnen nog maar vijf bewegingscycli worden uitgevoerd. Hierna wordt de liftfunctie van het apparaat uitgeschakeld. Het apparaat kan echter nog steeds omlaag worden gelaten.

- Laad de accu meteen op wanneer u het apparaat omlaag hebt gelaten.

**LET OP**

Beknellingsgevaar voor de vingers

- Plaats geen vingers tussen het zittingframe en het buizenframe aan de voorzijde van het chassis wanneer u de zitting omhoog of omlaag beweegt.



**BELANGRIJK**


Als het zittingframe naar voren wordt gekanteld, kan de zithoogte tot maximaal 600 mm worden aangepast.

Als de zithoogte op meer dan 600 mm is aangepast, kan het zittingframe niet meer naar voren worden gekanteld.


Het zittingframe en de rugleuning kantelen

Het zittingframe kan ongeveer 35° naar achteren en ongeveer 5° naar voren worden gekanteld.

1. Druk op de knop Naar achteren  of Naar voren  op de handbediening.

Het zittingframe kan naar achteren of naar voren worden gekanteld .

Omhoog bewegen

1. Druk op de knop Omhoog  op de handbediening.

Het zittingframe beweegt omhoog .

Omlaag bewegen

1. Druk op de knop Omlaag  op de handbediening.

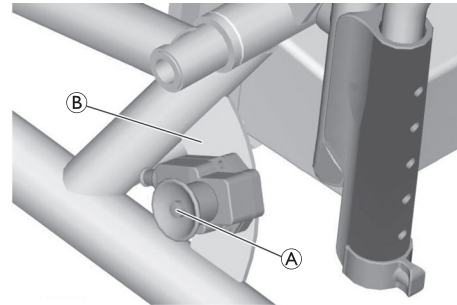
Het zittingframe beweegt omlaag .



Noodstop**BELANGRIJK**

Druk alleen op de rode knop STOP  op de handbediening als het apparaat niet direct stopt wanneer u een knop loslaat (bijv. als een knop blokkeert). Het apparaat stopt vervolgens direct met bewegen.

Noodverlagingsmechanisme

Als het zittingframe niet meer omlaag kan worden gelaten met de handbediening, kan hiervoor het noodverlagingsmechanisme worden gebruikt.



1. Druk op de knop  aan de rechterzijde van het chassis .

**BELANGRIJK**

- Als het zittingframe via het noodverlagingsmechanisme omlaag is gelaten, moet de douche- en toiletrolstoel worden gecontroleerd door een erkende dealer.

5.5 De draaivergrendeling activeren**BELANGRIJK**

- Vergrendel de draaivergrendeling op het wiel met de blauwe voetsluiting. Het is wiel is vergrendeld en beweegt alleen in een rechte lijn. De draaivergrendeling treedt alleen in werking als het wiel recht staat.

6 Transport

6.1 Veiligheidsinformatie



Het product kan in de onderdelen worden gedemonteerd die zijn inbegrepen in de levering (Hoofdstuk 3.1 Componenten) om te kunnen worden getransporteerd.

- Voor informatie over het demonteren van het product leest u hoofdstuk 4 "Montage en installatie".



BELANGRIJK Risico op beschadiging

- Transporteer het product in een droge ruimte bij een temperatuur tussen 0 °C en 40 °C, bij een atmosferische druk tussen 795 en 1060 hPa en een luchtvochtigheidsgraad tussen 30 en 75%.
- Stel dit product niet bloot aan direct zonlicht.

7 Onderhoud

7.1 Onderhoud en service

Als de meldingen voor reiniging en veiligheid in acht worden genomen, heeft het product geen onderhoud nodig.

Het product vereist reguliere veiligheidscontroles.



WAARSCHUWING

▸ Voer geen onbevoegde reparaties of andere verrichtingen uit aan de assen of elektrische onderdelen. Als een as beschadigd of defect is, moet u direct contact opnemen met uw dealer.

1. Controleer het product regelmatig op schade en verzeker u ervan dat het stevig is gemonteerd.
2. Neem direct contact op met uw dealer in geval van schade en/of vereiste reparatie.
3. Het product moet vóór elk hergebruik of uiterlijk na 24 maanden worden gecontroleerd door een erkende dealer (zie Aanbevelingen van de fabrikant voor herbruikbare producten van de industriële associatie SPECTARIS).

7.2 Schoonmaken en ontsmetten

Het product kan worden schoongemaakt en ontsmet met in de handel verkrijgbare middelen.



BELANGRIJK

Hygiëne is erg belangrijk, vooral in gevoelige gebieden zoals het toilet.

- Houd het product schoon en reinig het regelmatig.

1. Ontsmet het product door alle algemeen toegankelijke oppervlakken af te nemen met een ontsmettingsmiddel (indien mogelijk na demontage van het product).



BELANGRIJK

Alle gebruikte schoonmaak- en ontsmettingsmiddelen moeten effectief zijn, met elkaar gecombineerd kunnen worden en de schoon te maken materialen beschermen.

- Raadpleeg voor meer informatie over goede hygiëne en desinfectie (in de intramurale gezondheidszorg) de Nederlandse Vereniging van Zeepfabrikanten (NVZ) (www.nvz.nl).
- Reinig het product handmatig.
- Gebruik geen schurende of bijtende schoonmaakmiddelen.

Het zittingframe en chassis reinigen



LET OP

Gevaar door elektriciteit

- Sluit alle openingen en bevestig alle aansluitingen voordat u gaat reinigen.



BELANGRIJK Risico op beschadiging.

- Verwijder niet de houders voor de accessoires.

1. Sluit alle openingen en bevestig alle aansluitingen.
2. Verwijder eventueel aangesloten accessoires.
3. Trek de voetsteunen uit de geleiders.
4. Verwijder de zittingplaat en de rugbekleding.
5. Reinig de verschillende onderdelen met in de handel verkrijgbare schoonmaakmiddelen (bijv. allesreiniger) en een doek of borstel.

6. Spoel de onderdelen met warm water af.
7. Droog de onderdelen met een doek.
8. Zet de douche- en toiletrolstoel weer in elkaar.

**LET OP**

Risico op verbranding

- Laat de douche- en toiletrolstoel afkoelen voordat u deze reinigt.

Reiniging in een klinische omgeving**LET OP**

Risico op verbranding

Laat het product afkoelen na reiniging met de autoclaaf.

1. Naast de hierboven omschreven manier van reinigen moet het product regelmatig 3 minuten op 85 °C in de autoclaaf worden gereinigd.

De rugbekleding reinigen

1. Verwijder de rugbekleding.
2. Was de bekleding in de wasmachine op maximaal 60 °C met een mild wasmiddel.

**BELANGRIJK** Risico op beschadiging

- Wassen op hoge temperaturen kan leiden tot krimpen van materiaal.
- Droog hoezen niet in de wasdroger.

**BELANGRIJK**

- Door overmatig reinigen kan textiel beschadigen.
- Wij raden u aan de rugbekleding elke twee jaar te vervangen.

De lader en accu reinigen**LET OP**

Gevaar door elektriciteit

- Haal altijd de netstekker uit het stopcontact voordat u de lader gaat reinigen.
- Plaats nooit objecten van geleidend materiaal (bijvoorbeeld breinaalden of metalen pennen) in de contacten van de accu.
- Reinig de acculader alleen met een droge doek.

1. Veeg de lader met een droge doek af.
2. Veeg de accu af met een vochtige doek en droog deze met een droge doek.

7.3 De prestaties van de accu op peil houden

Als het apparaat een langere periode niet wordt gebruikt, moet de accu volledig worden opgeladen (ongeveer 5 tot 6 uur oplaadtijd) en het onbezette zittingframe 3 keer omhoog en omlaag worden gelaten. Herhaal dit proces minstens elke 6 maanden. Dit helpt de levensduur van de accu te verlengen.

7.4 De wielen vervangen**WAARSCHUWING**

Er bestaat een risico op letsel als de wielen niet correct worden bevestigd.

De wielen moeten door een erkende dealer worden vervangen.

7.5 De aandrijvingen vervangen**WAARSCHUWING**

Er bestaat een risico op letsel als de aandrijvingen niet correct worden bevestigd.

De aandrijvingen moeten door een erkende dealer worden vervangen.

8 Na gebruik

8.1 Opslag



BELANGRIJK Risico op beschadiging

- Bewaar het product in een droge ruimte bij een temperatuur tussen 0 °C en 40 °C, bij een atmosferische druk tussen 795 en 1060 hPa en een luchtvochtigheidsgraad tussen 30 en 75%.
- Bewaar dit product niet in de buurt van warmtebronnen.
- Stel dit product niet bloot aan direct zonlicht.

8.2 Hergebruiken

Dit product is geschikt voor hergebruik. Het aantal keer dat het product kan worden hergebruikt, hangt af van de frequentie van het gebruik en de manier waarop het product is gebruikt. Het product moet voor hergebruik worden gereinigd en ontsmet en worden gecontroleerd om te verzekeren dat het product nog in goede staat verkeert en veilig werkt. Repareer het product indien nodig.

8.3 Afvoeren

Het afvoeren en recyclen van gebruikte producten en verpakking moet volgens de toepasselijke wettelijke regelgevingen gebeuren.

De fabrikant kan zorgen voor de correcte en volledige afvoer van het apparaat.

Dit product bevat een oplaadbare loodaccu.

Oude accu's kunnen gevaarlijke stoffen bevatten die schadelijk kunnen zijn voor het milieu en de volksgezondheid. Breng deze terug naar de dealer of breng ze naar een plaatselijk recyclingstation.

Batterijen kunnen volgens de wetgeving zonder extra kosten worden teruggebracht.

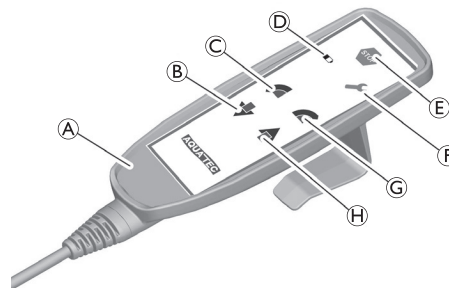
9 Problemen oplossen





9.1 Defecten identificeren en repareren



In de volgende tabel vindt u een overzicht van storingen en de mogelijke oorzaken daarvan.

Als u de storing niet kunt verhelpen met behulp van de gegeven oplossingen, kunt u ook rechtstreeks contact opnemen met uw dealer.



| Defect | Mogelijke oorzaak/oorzaken | Oplossing | |
|--|---|--|---|
| Een akoestisch signaal wordt afgespeeld en een indicatielampje  brandt op de handbediening  terwijl het apparaat beweegt | De accu is bijna leeg | ▸ Laad de accu op (zie hoofdstuk 4.11) | |
| Het indicatielampje SERVICE  brandt op de handbediening | Handbediening defect | ▸ Voer reset uit (zie hieronder) | |
| | Softwarefout | | |
| | Knop van het noodverlagingsmechanisme defect | | |
| | Fout in de stroomvoorziening bij het bewegen | | |
| | Aandrijving defect | | |
| Noodverlagingsmechanisme werkt niet | Bediening defect | ▸ Laad de accu op (zie hoofdstuk 4.11) of gebruik een vervangende accu | |
| | Accu leeg | | ▸ Sluit de kabel volledig aan |
| | Kabel niet volledig aangesloten | | ▸ Contactdoos aangesloten (vastgeklikt) |
| | Contactdoos niet aangesloten | | ▸ Voer reset uit (zie hieronder) |
| Defecte knop | De motoren zijn naar verschillende hoogten verplaatst | ▸ Houd de knop Omlaag  op de handbediening ingedrukt totdat de aandrijvingen volledig omlaag zijn en de limietschakelaar vastklikt. | |
| | | | Gekantelde positie van het zittingframe |

| Defect | Mogelijke oorzaak/oorzaken | Oplossing |
|--|---|---|
| Het zittingframe gaat niet omhoog of Het zittingframe gaat niet omlaag of Het zittingframe kan niet worden gekanteld | Gewichtslimiet overschreden | ▸ Maximale belasting 150 kg |
| | Kabel niet correct aangesloten | ▸ Sluit de kabel correct aan |
| | Contactdoos niet aangesloten | ▸ Contactdoos aangesloten (vastgeklikt) |
| | Kabel onjuist aangesloten op de bediening | ▸ Motor voor kantelbeweging altijd op kanaal 7 |
| | Verbindingskabel stuk | ▸ Vervang de kabel |
| | Verbindingskabel niet volledig aangesloten | ▸ Sluit de kabel volledig aan en sluit de veiligheidsgreep. |
| | Bediening defect | ▸ Voer reset uit (zie hieronder) |
| | Accu leeg | ▸ Laad de accu op (zie hoofdstuk 4.11) of gebruik een vervangende accu |
| Accu laadt niet op | Handbedieningskabel niet correct aangesloten. | ▸ Sluit de kabel volledig aan |
| | Handbediening defect | ▸ Voer reset uit (zie hieronder) of ▸ Vervang de handbediening |
| Accu laadt niet op | Defecte accu | ▸ Vervang de accu |
| | Aansluiting niet correct verbonden | ▸ Zorg ervoor dat alle aansluitingen zich in de correcte positie bevinden |

Resetten

1. Houd de volgende drie knoppen ongeveer 3 seconden tegelijkertijd ingedrukt op de handbediening: De rode knop STOP (E), de knop Naar voren (C) en de knop Omhoog (H).

Het indrukken van de drie knoppen wordt door een akoestisch signaal bevestigd.

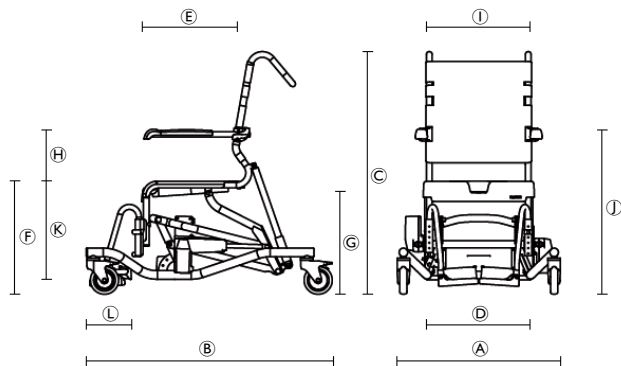
2. Als het indicatielampje „SERVICE“ (F) uitgaat, laat u de knoppen los. Het apparaat is weer klaar om te worden gebruikt.
3. Beweeg vervolgens de aandrijvingen om de hoogte naar de laagste positie aan te passen totdat u kunt horen dat de aandrijvingen worden uitgeschakeld.
4. Beweeg de kantelaandrijving naar de achterste eindpositie totdat u kunt horen dat de aandrijving wordt uitgeschakeld. (De rode LED knippert en een akoestisch signaal wordt afgespeeld).



BELANGRIJK

- Als de fout na de reset opnieuw optreedt, vervangt u het apparaat of de defecte onderdelen en stuurt u deze naar ons op.

10 Technische gegevens



10.1 Afmetingen en gewicht

| | | |
|-----|--|----------------|
| (A) | Totale breedte | 730 mm |
| (B) | Diepte (zonder voetsteunen) | 1010 mm |
| (C) | Hoogte (zonder hoofdsteun) | 1070 – 1620 mm |
| (D) | Zitbreedte | 480 mm |
| (E) | Zitdiepte | 450 mm |
| (F) | Zithoogte | 500 – 1050 mm |
| (G) | Meet de afstand tussen de vloer en de beugel van de toiletstoel. | 420 – 970 mm |
| (H) | Hoogte, zitting tot armsteun | 230 – 270 mm |
| (I) | Breedte tussen de armsteunen | 470 mm |
| (J) | Hoogte tot de armsteunen | 730 - 1320 mm |
| (K) | Hoogte, voetsteunen tot zitting | 345 – 465 mm |
| (L) | Voetplaatdiepte | 155 mm |

| | | |
|-----|-----------------------|----------------|
| (M) | Breedte, hygiëneholte | 205 mm |
| (N) | Diepte, hygiëneholte | 320 mm |
| | Hoogteaanpassing | traploos |
| | Wieldiameter | 5" (127 mm) |
| | Gewicht | ongeveer 39 kg |
| | Laadcapaciteit | 150 kg |

10.2 Elektronische gegevens

| | |
|--|----------------------------|
| Bedrijfsspanning | 24 V |
| Nominale ingangvoeding | 170 VA |
| Accutype | Loodzuur |
| Typische accutijd | 40 cycli |
| Laderinvoer | 230 – 240 V AC, 50 – 60 Hz |
| Laderuitvoer | 24 V DC, 12 VA |
| Laadtijd vanaf waarschuwing voor laagspanning | ongeveer 5 – 6 uur |
| Type beveiliging, aandrijving, accu en elektronica | IP X6 W ¹⁾ |
| Type beveiliging, acculader | IP 40 ²⁾ |
| Type beveiliging, hele apparaat | IP X6 W ¹⁾ |
| Geluidsniveau | 52 dB(A) |

¹⁾ Beschermd tegen indringen van water in geval van krachtige waterstralen, getest onder voorgeschreven wateromstandigheden.

²⁾ Bescherming tegen vaste vreemde deeltjes van 1,0 mm of groter, niet beschermd tegen penetratie van water.

10.3 Materialen

| | |
|--------------|-----------------------------------|
| Frame | Roestvrij staal, gemoffeld |
| Zittingplaat | Polypropyleen |
| Rugbekleding | Kunststof, PVC-coating |
| Voetsteunen | Polypropyleen, glasvezelversterkt |
| Armsteunen | Polypropyleen |
| Wielen | Kunststof en roestvrij staal |

Alle productonderdelen zijn roestbestendig en latexvrij.

10.4 Guidance and manufacturer's declaration

Guidance and manufacturer's declaration - electromagnetic emissions - for all equipment and systems (see 5.2.2.1 c)


| The Ocean E-Vip is intended for use in the electromagnetic environment specified below. The customer or the user of the Ocean E-Vip should assure that it is used in such an environment. | | |
|---|------------|--|
| Emission test | Compliance | Electromagnetic environment - guidance |
| RF emissions CISPR 11 | Group 1 | The Ocean E-Vip uses RF energy only for its internal function. Therefore, its RF emissions are very low and are not likely to cause any interference in nearby electronic equipment. |
| RF emissions CISPR 11 | Class B | The Ocean E-Vip is suitable for use in all establishments, including domestic establishments and those directly connected to the public low-voltage power supply network that supplies buildings used for domestic purposes. |
| Harmonic emissions IEC 61000-3-2 | Class A | |
| Voltage fluctuations/flicker emissions IEC 61000-3-3 | Complies | |

Guidance and manufacturer's declaration - electromagnetic immunity - for all equipment and systems (see 5.2.2.1 f)

| The Ocean E-Vip is intended for use in the electromagnetic environment specified below. The customer or the user of the Ocean E-Vip should assure that it is used in such an environment. | | | |
|---|---|---|---|
| Immunity test | IEC 60601 test level | Compliance level | Electromagnetic environment - guidance |
| Electrostatic discharge (ESD) (IEC 61000-4-2) | ± 6 kV contact ± 8 kV air | ± 6 kV contact ± 8 kV air | Floors should be wood, concrete or ceramic tile. If floors are covered with synthetic material, the relative humidity should be at least 30 %. |
| Electrical fast transient / burst (IEC 61000-4-4) | ± 2 kV for power supply lines ± 1 kV for input / output lines | ± 2 kV for power supply lines ± 1 kV for input / output lines | Mains power quality should be that of a typical commercial or hospital environment. |
| Surge (IEC 61000-4-5) | ± 1 kV line(s) to line(s) ± 2 kV line(s) to earth | ± 1 kV line(s) to line(s) ± 2 kV line(s) to earth | Mains power quality should be that of a typical commercial or hospital environment. |
| Voltage dips, short interruptions and voltage variations on power supply input lines (IEC 61000-4-11) | < 5 % U_T (> 95 % dip in U_T) for 0.5 cycle 40 % U_T (60 % dip in U_T) for 5 cycles 70 % U_T (30 % dip in U_T) for 25 cycles < 5 % U_T (> 95 % dip in U_T) for 5 sec | < 5 % U_T (> 95 % dip in U_T) for 0.5 cycle 40 % U_T (60 % dip in U_T) for 5 cycles 70 % U_T (30 % dip in U_T) for 25 cycles < 5 % U_T (> 95 % dip in U_T) for 5 sec | Mains power quality should be that of a typical commercial or hospital environment. If the user of the Ocean E-Vip requires continued operation during power mains interruptions, it is recommended that the Ocean E-Vip be powered from an uninterruptible power supply or battery. |
| Power frequency (50/60 Hz) magnetic field (IEC 61000-4-8) | 3 A/m | 3 A/m | Power frequency magnetic fields should be at levels characteristic of a typical location in a typical commercial or hospital environment. |
| NOTE: U_T is the a.c. mains voltage prior to application of the test level. | | | |

Guidance and manufacturer's declaration - electromagnetic immunity - for all equipment and systems that are not life-supporting (see 5.2.2.2)

| The Ocean E-Vip is intended for use in the electromagnetic environment specified below. The customer or user of the Ocean E-Vip should assure that it is used in such an environment. | | | |
|---|----------------------|------------------|--|
| Immunity test | IEC 60601 test level | Compliance level | Electromagnetic environment - guidance |
| | | | Portable and mobile RF communications equipment should be used no closer to any part of the Ocean E-Vip, including cables, than the recommended separation distance calculated from the equation applicable to the frequency of the transmitter. |

| | | | |
|---------------------------------|---|-------------------|---|
| Immunity test | IEC 60601 test level | Compliance level | Recommended separation distance: |
| Conducted RF (IEC 61000-4-6) | 3 V _{rms} 150 kHz to 80 MHz | $U_1 = 3 V_{rms}$ | $d = \frac{3.5}{U_1} \sqrt{P}$ |
| Radiated RF (IEC 61000-4-3) | 3 V/m 80 MHz to 2.5 GHz | $E_1 = 3 V/m$ | $d = \frac{3.5}{E_1} \sqrt{P}$ 80 MHz to 800 MHz $d = \frac{7}{E_1} \sqrt{P}$ 800 MHz to 2.5 GHz where P is the maximum output power rating of the transmitter in watts (W) according to the transmitter manufacturer and d is the recommended separation distance in metres (m). ^b Field strengths from fixed RF transmitters, as determined by an electromagnetic site survey, ^a should be less than the compliance level in each frequency range. ^b Interference may occur in the vicinity of equipment marked with the following symbol:  |

NOTE 1: At 80 MHz and 800 MHz, the higher frequency range applies.

NOTE 2: These guidelines may not apply in all situations. Electromagnetic is affected by absorption and reflection from structures, objects and people.

^a Field strengths from fixed transmitters, such as base stations for radio (cellular/cordless) telephones and land mobile radios, amateur radio, AM and FM radio broadcast and TV broadcast cannot be predicted theoretically with accuracy. To assess the electromagnetic environment due to fixed RF transmitters, an electromagnetic site survey should be considered. If the measured field strength in the location in which the Ocean E-Vip is used exceeds the applicable RF compliance level above, the Ocean E-Vip should be observed to verify normal operation. If abnormal performance is observed, additional measures may be necessary, such as reorienting or relocating the Ocean E-Vip.

^b The frequency range 150 kHz to 80 MHz, field strengths should be less than 3 V/m.

Recommended separation distances between portable and mobile RF communications equipment and the equipment or system - for equipment and systems that are not life-supporting (see 5.2.2.2)

| | | | |
|---|---|--|---|
| Recommended separation distances between portable and mobile RF communications equipment and the Ocean E-Vip | | | |
| The Ocean E-Vip is intended for use in an electromagnetic environment in which radiated RF disturbances are controlled. The customer or the user of the Ocean E-Vip can help prevent electromagnetic interference by maintaining a minimum distance between portable and mobile RF communications equipment (transmitters) and the Ocean E-Vip as recommended below, according to the maximum output power of the communications equipment. | | | |
| Rated maximum power of transmitter [W] | Separation distance according to frequency of transmitter [m] | | |
| | $d = \frac{3.5}{U_1} \sqrt{P}$ 150 kHz to 80 MHz | $d = \frac{3.5}{E_1} \sqrt{P}$ 80 MHz to 800 MHz | $d = \frac{7}{E_1} \sqrt{P}$ 800 MHz to 2.5 GHz |
| 0.01 | 0.12 | 0.12 | 0.23 |
| 0.1 | 0.37 | 0.37 | 0.74 |
| 1 | 1.17 | 1.17 | 2.33 |
| 10 | 3.69 | 3.69 | 7.38 |
| 100 | 11.67 | 11.67 | 23.33 |

For transmitters rated at a maximum output power not listed above the recommended separation distance d in metres (m) can be estimated using the equation applicable to the frequency of the transmitter, where P is the maximum output power rating of the transmitter in watts (W) according to the transmitter manufacturer.

NOTE 1: At 80 MHz and 800 MHz the separation distance for the higher frequency range applies.

NOTE 2: These guidelines may not apply in all situations. Electromagnetic propagation is affected by absorption and reflection from structures, objects and people.

Invacare® Distributors

Belgium & Luxembourg:

Invacare nv, Autobaan 22,
B-8210 Loppem
Tel: (32) (0)50 83 10 10
Fax: (32) (0)50 83 10 11
belgium@invacare.com / www.invacare.be

Deutschland:

Invacare GmbH, Alemannenstraße 10,
D-88316 Isny
Tel: (49) (0)75 62 7 00 0
Fax: (49) (0)75 62 7 00 66
kontakt@invacare.com / www.invacare.de

Österreich:

Invacare Austria GmbH, Herzog Odilostrasse 101,
A-5310 Mondsee
Tel: (43) 6232 5535 0
Fax: (43) 6232 5535 4
info-austria@invacare.com / www.invacare.at

Schweiz:

Invacare AG, Benkenstrasse 260,
CH-4108 Witterswil
Tel: (41) (0)61 487 70 80
Fax: (41) (0)61 487 70 81
switzerland@invacare.com / www.invacare.ch

Italia:

Invacare Mecc San s.r.l., Via dei Pini 62,
I-36016 Thiene
Tel: (39) 0445 38 00 59
Fax: (39) 0445 38 00 34
italia@invacare.com / www.invacare.it

Nederland:

Invacare BV, Galvanistraat 14-3,
NL-6716 AE Ede
Tel: (31) (0)318 695 757
Fax: (31) (0)318 695 758
nederland@invacare.com / www.invacare.nl

Ireland:

Invacare Ireland Ltd, Unit 5 Seatown Business Campus,
Seatown Road, Swords, County Dublin - Ireland
Tel: (353) 1 810 7084
Fax: (353) 1 810 7085
ireland@invacare.com / www.invacare.ie

United Kingdom:

Invacare Limited, Pencoed Technology Park, Pencoed,
Bridgend CF35 5AQ
Tel: (44) (0)1656 776200
Fax: (44) (0)1656 776201
UK@invacare.com / www.invacare.co.uk

España:

Invacare SA, c/Areny s/n, Polígono Industrial de Celrà,
E-17460 Celrà (Girona)
Tel: (34) (0)972 49 32 00
Fax: (34) (0)972 49 32 20
contactsp@invacare.com / www.invacare.es

France:

Invacare Poirier SAS, Route de St Roch,
F-37230 Fondettes
Tel: (33) (0)2 47 62 64 66
Fax: (33) (0)2 47 42 12 24
contactfr@invacare.com / www.invacare.fr



Aquatec Operations GmbH,
Alemannenstraße 10,
D-88316 Isny
Tel: (49) (0)75 62 7 00 0; Fax: (49) (0)75 62 7 00 66
kontakt@invacare.com / www.invacare.de

AQUATEC®



Yes, you can.®